

5

4

3

2

1

REVISIONS							
ZONE	LTR	DESCRIPTION	DATE	E.M.N.NO	DRAFT	CHKD	APPD
	Ø	ORIG RELEASE FOR PROD	4-18-67		RG		
	A	NICKEL PLT WAS SILV.	5-29-69	1947	GE	JW	FB

SPECIFICATIONS

TYPE: ADAPTER, ~~PANEL MOUNT~~

NO. OF CONTACTS: 1

NO. OF MOUNTING ENDS: 1

CONTACT DATA:  
 TYPE OF CONTACT: FEMALE  
 QUANTITY: 1  
 STYLE: LONGITUDINALLY SLOTTED SLEEVE

TYPE OF CONTACT: MALE  
 QUANTITY: 1  
 STYLE: LONGITUDINALLY SLOTTED PIN

MATERIAL & FINISH: BERYLLIUM COPPER, SILVER PLATE

DIELECTRIC: TEFLON, TFE

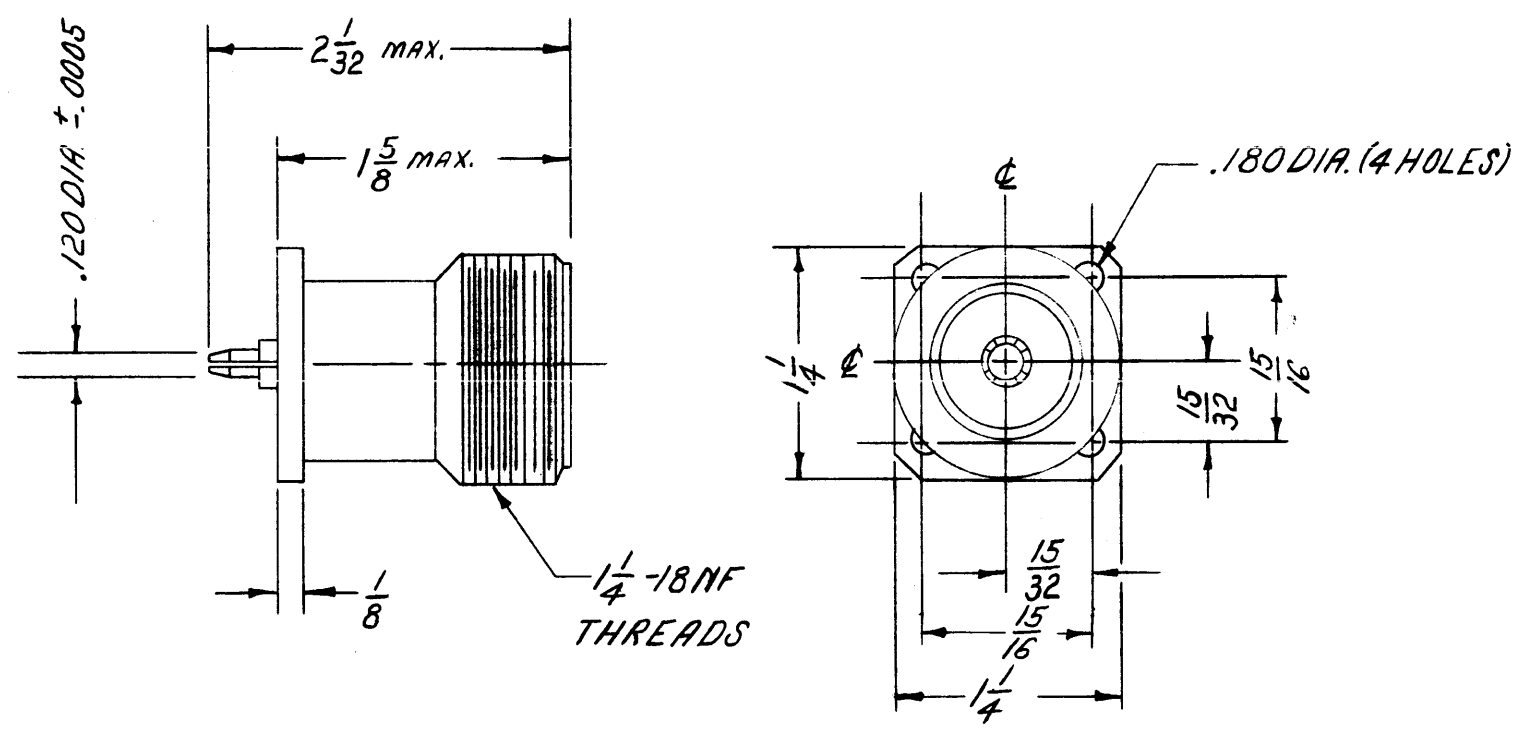
IMPEDANCE: 50 OHMS

SEALING: NONE

THREAD SIZE: 1 1/4 - 18 NEF2A

BODY MATERIAL & FINISH: BRASS, NICKEL PLATE

USED WITH: DC 106



REQ'D	ITEM	PART NUMBER	DESCRIPTION	SYM.
LIST OF MATERIAL				
THE TECHNICAL MATERIEL CORP. MAMARONECK, NEW YORK				
CONNECTOR, ADAPTER, FEMALE "LC."				
SIZE		CODE IDENT. NO.	DWG NO.	ISSUE
B		82679	JJ334	A
SCALE		SHEET OF		

1	RAK III-2	
QTY / UNIT	MODEL USED ON	ASS'Y NO.
APPLICATION		
S401-	CODE	S401-164 (OL-42403)
S401-70		

NOTICE TO PERSONS RECEIVING THIS DRAWING  
 THE TECHNICAL MATERIEL CORPORATION claims proprietary right in the material disclosed hereon. This drawing is issued in confidence for engineering information only and may not be reproduced or used to manufacture anything shown hereon without permission from THE TECHNICAL MATERIEL CORPORATION to the user. This drawing is loaned for mutual assistance and is subject to recall at any time.

UNLESS OTHERWISE SPECIFIED DIMENSIONS ARE IN INCHES AND INCLUDE CHEMICALLY APPLIED OR PLATED FINISHES

DECIMALS	FRACTIONS	TOLS.	ANGLES
.X ± .05	1/64		
.XX ± .01			0° .30'
.XXX ± .005			

MATERIAL

FINISH

FINAL APPROV. [Signature] DATE 7/18/67

MECH. DES. [Signature] DATE 7-18-67

ELECT. DES. [Signature] DATE

CHECKED [Signature] DATE 1-24-67

DRAWN L.A.K. DATE 1-24-67