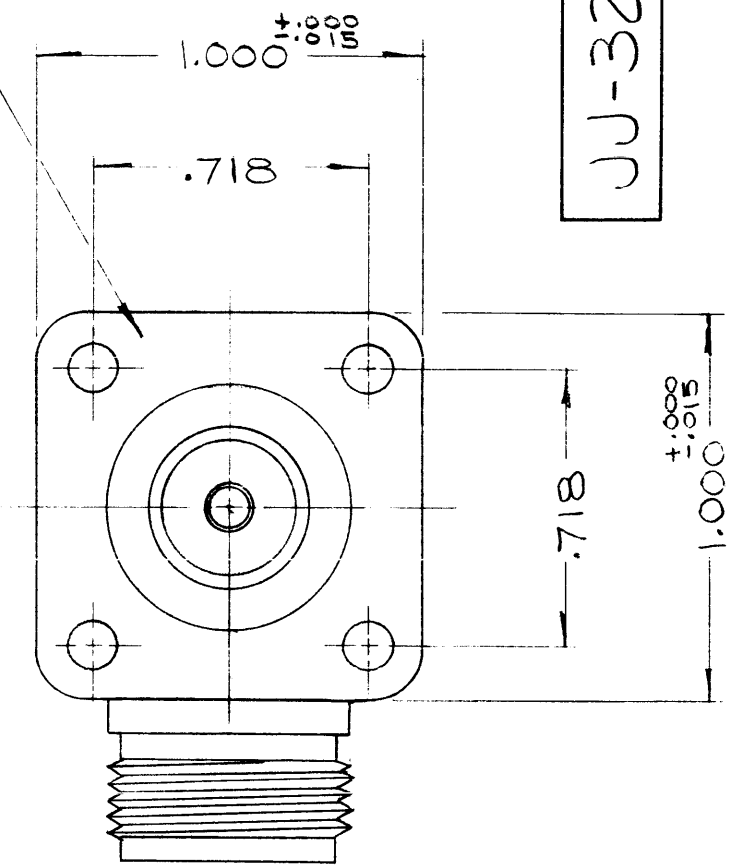
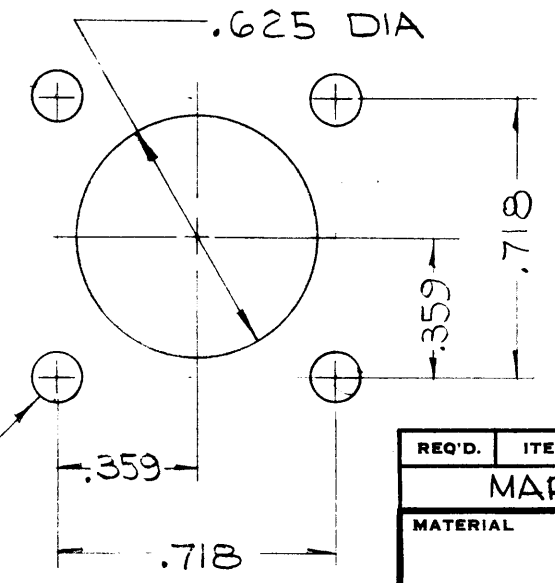


WHEN REQUIRED CUSTOMER IDENTIFICATION No TO BE METAL STAMPED 1/16 HIGH (OPPOSITE SIDE) SEE CUST DWG.



5/8 - 24 UNEF-2A



PANEL MTG. LAYOUT

JJ-328

REVISIONS						
SYM	DESCRIPTION	DATE	E.M.N. NO.	DRAFT	CHKD	APPD
Ø	ORIGINAL RELEASE FOR PRODUCTION	11-30-65	Ø			
A	"TMC PT/No" NOTE DELETED	7.15.66	16561	WFW	QCB	ML

SPECIFICATIONS  
 SERIES "N"  
 No OF CONTACTS = 1  
 TYPE OF CONTACT = FEMALE  
 DIELECTRIC = TEFLON

ELECTRICAL DATA:  
 VOLTAGE BREAKDOWN - 500V AC  
 NOM. IMPEDANCE - 50 Ω

MATERIAL:  
 EXTERNAL PARTS = BRASS  
 CONTACT = BERYLLIUM COPPER

FINISH:  
 SILVER PLATED, .0002-.0003 THICK,

REQ'D.	ITEM	PART NUMBER	DESCRIPTION	SYMBOL
<b>MARTINENGO LIST OF MATERIAL</b>				
MATERIAL		SEE NOTE	<b>THE TECHNICAL MATERIEL CORP. MAMARONECK, NEW YORK</b>	
FINISH		SEE NOTE	TITLE <b>CONNECTOR RECEPTACLE RIGHT ANGLE</b>	
UNLESS OTHERWISE SPECIFIED DIMENSIONS ARE IN INCHES AND INCLUDE CHEMICALLY APPLIED OR PLATED FINISHES		DRAWN <i>R</i>	DATE 10/15/65	FINAL APPROVAL <i>ML</i>
		CHECKED <i>QCB</i>	DATE 11/30/65	DATE 11/24/65
		ELECT. DES. <i>QCB</i>	DATE	
		MECH. DES. <i>ML</i>	DATE 12/1/65	
				JJ-328
				A
				SHEET
				REV. LTR.

Q'TY./UNIT	MODEL USED ON	ASS'Y. NO.
SCALE 2:1	CODE	S401-70 (KS-19761LI)
THE CONTENTS OF THIS DRAWING ARE THE EXCLUSIVE PROPERTY OF THE TECHNICAL MATERIEL CORP. ITS UNAUTHORIZED USE OR REPRODUCTION IN WHOLE OR IN PART IS STRICTLY FORBIDDEN.		

NOTES