

STANDARD DRAWING

A
JJ-325

REVISIONS						
SYM	DESCRIPTION	DATE	E.M.N. NO.	DRAFT	CHKD	APFD
Ø	ORIGINAL RELEASE FOR PRODUCTION	9/3/65	Ø	AVV		
A	#43 DR. (.089 DIA) WAS 3-56 TAP. NOTE 2 ADDED	9/29/65	15472	AVV	JB	gc

SPECIFICATIONS

SERIES --- BNC
 No. OF CONTACTS --- ONE (1)
 TYPE OF CONTACT --- FEMALE
 DIELECTRIC --- TEFLON
 REMARKS --- SWITCH TYPE

ELECTRICAL DATA

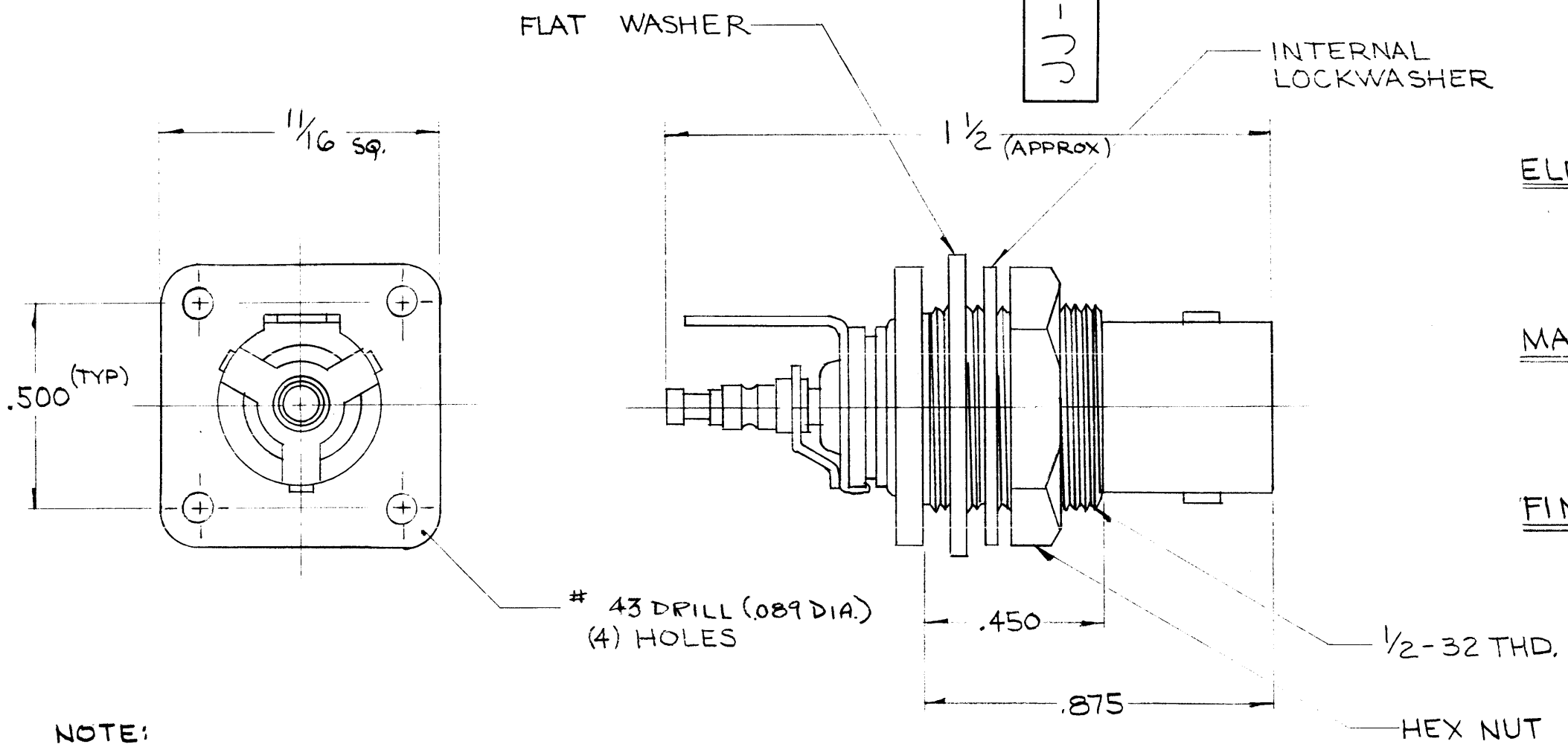
MAX. PEAK OPR. VOLT --- 500V
 FREQ. LIMIT --- 10,000 mc
 IMPEDANCE --- 50 OHMS

MATERIAL

EXTERNAL PARTS --- BRASS
 CONTACT --- BERYLLIUM COPPER
 LOCKWASHER --- PHOSPHOR BRONZE

FINISH

EXTERNAL PARTS --- SILVER
 PLATE & RHODIUM FLASH.
 CONTACT --- SILVER PLATE &
 GOLD FLASH.



NOTE:

- UPON ENGAGEMENT OF MATING CONNECTOR THE INSULATOR ASSEMBLY MOVES BACK 0.085
- CONNECTOR TO BE SUPPLIED WITH PLASTIC CAP MOUNTED, AND HARDWARE BULK PACKED.

US PATENT No. 2,767-267

REQ'D.	ITEM	PART NUMBER	DESCRIPTION	SYMBOL
LIST OF MATERIAL				
MATERIAL		SEE NOTES	THE TECHNICAL MATERIEL CORP. MAMARONECK, NEW YORK	
FINISH		SEE NOTES	TITLE CONNECTOR, RECEPTACLE, ELECTRICAL	
UNLESS OTHERWISE SPECIFIED DIMENSIONS ARE IN INCHES AND INCLUDE CHEMICALLY APPLIED OR PLATED FINISHES		DRAWN <i>[Signature]</i>	DATE 9/2/65	FINAL APPROVAL <i>[Signature]</i>
DECIMALS .X ± .05 .XX ± .01 .XXX ± .005		ELECT. DES. <i>[Signature]</i>		DATE 9/2/65
FRACTIONS ± 1/64 ANGLES ± 0° 30'		MECH. DES. <i>[Signature]</i>		DATE 9/2/65
TOLERANCES		SHEET		REV. LTR.

Q'TY./UNIT	MODEL USED ON	ASS'Y. NO.
SCALE 3:1	CODE	S401-70-2987
THE CONTENTS OF THIS DRAWING ARE THE EXCLUSIVE PROPERTY OF THE TECHNICAL MATERIEL CORP. ITS UNAUTHORIZED USE OR REPRODUCTION IN WHOLE OR IN PART IS STRICTLY FORBIDDEN.		

NOTES