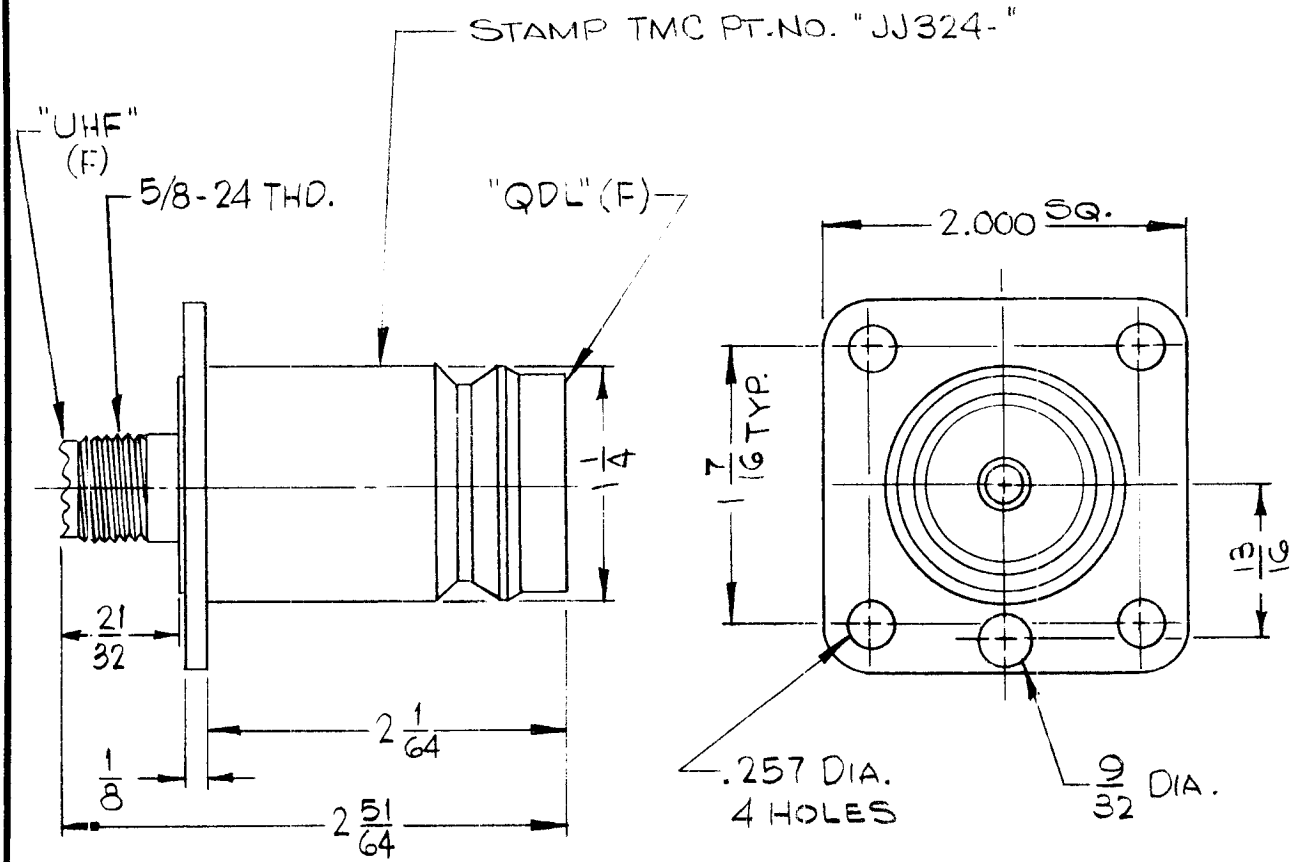


REQ. PER UNIT	USED ON			JJ324	Ø
	MODEL	ASS'Y. NO.	DATE		



SPECIFICATIONS

SERIES: QDL TO UHF
 NO. OF CONTACTS: ONE (1)
 TYPE OF CONTACT: FEMALE
 DIELECTRIC: TEFLON

ELECTRICAL DATA:
 MAX. PEAK VOLTAGE: 500
 FREQ. LIMIT: 200-500 MHz
 NOMINAL IMPEDANCE: 50 OHMS

MATERIAL:
 EXTERNAL PARTS: BRASS
 CONTACT: BERYLLIUM COPPER

FINISH:
 EXTERNAL PARTS: SILVER PLATE & RHODIUM FLASH
 CONTACT: SILVER PLATE & GOLD FLASH
 CABLE ACCOMODATIONS: NONE
 MATING CONNECTOR: PL 136, P 259

							REQ. ITEM	PART NO.	MARTINENGO DESCRIPTION	SYMBOL	
ORIGINAL RELEASE									THE TECHNICAL MATERIEL CORP. MAMARONECK. NEW YORK		
X2 MATING CONN. ADDED							9-20-67	ENJ	ADAPTER		
X1 PT/NO REVISED ELEC. SPECS REVISED							2.20.67	UHL	QDL (F) TO UHF (F)		
SYM	DESCRIPTION	DATE	CH. NO.	DRAFTS	CHECKER	ENG. APP.					
UNLESS OTHERWISE SPECIFIED DIMENSIONS ARE IN INCHES AND INCLUDE CHEMICALLY APPLIED OR PLATED FINISHES		SCALE									
							TYPE & TEMPER	HEAT TREAT. SPEC.	DRAWN	CHECKED	FINAL APPROVAL
							SEE SPECS.	SEE SPECS.	3 22-66 H. Austin	SG	7/16/67
							FINISH & SPEC. NO.	ELEC. DES. APP.	MECH. DES. APP.	JJ324 Ø	
DECIMALS .X ± .05 .XX ± .01 .XXX ± .005	TOLERANCES	FRACTIONS ± 1/64 ANGLES ± 0° 30'	CODE C	S401-70(2984)							