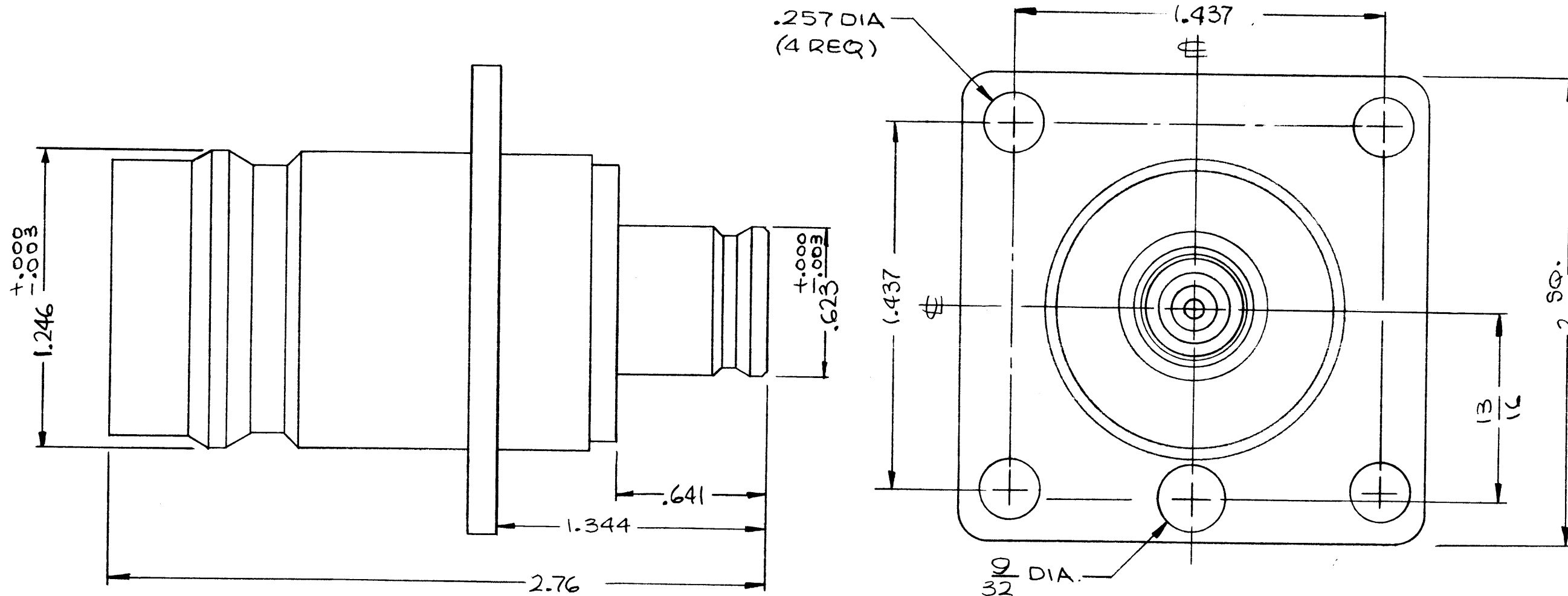


SPECIFICATIONS

- 1 - SERIES: QDL (F) TO QDS (F)
- 2 - No. OF CONTACTS: 1
- 3 - TYPE OF CONTACTS: FEMALE
- 4 - DIELECTRIC: TEFLON
- MAX PEAK VOLTAGE: 10KV
- CRER. LIMIT: 10,000MHZ
- NOM IMPEDANCE: 50Ω

- 5 - MATERIAL:
 - EXT PARTS: BRASS
 - CONTACT: BERYLLIUM COPPER
- 6 - FINISH:
 - EXT PARTS: SILVER PLATE & RHODIUM FLASH
 - CONTACT: SILVER PLATE & GOLD FLASH

		REVISIONS				
SYM	DESCRIPTION	DATE	E.M.N. NO.	DRAFT	CHKD	APP
Ø	ORIGINAL RELEASE FOR PRODUCTION	1/11/67	Ø	CV		
A	1.246 DIM. RELOCATED	5-3-67	18165	L.A.K.		R



REQ'D.	ITEM	PART NUMBER	DESCRIPTION	SYMBOL		
OCTAVIO LIST OF MATERIAL						
MATERIAL			THE TECHNICAL MATERIEL CORP. MAMARONECK, NEW YORK			
SEE SPECS						
FINISH			TITLE			
SEE SPECS			CONNECTOR RECEPTACLE, ADAPTOR			
UNLESS OTHERWISE SPECIFIED DIMENSIONS ARE IN INCHES AND INCLUDE CHEMICALLY APPLIED OR PLATED FINISHES			DRAWN	DATE	FINAL APPROVAL	DATE
DECIMALS .X ± .05 .XX ± .01 .XXX ± .005			TOLERANCES		JJ316	A
			FRACTIONS ± 1/64 ANGLES ± 0° 30'			
NOTES			CHECKED	DATE	SHEET	
			M/L [Signature]		1-13-67	REV.

Q'TY./UNIT	MODEL USED ON	ASSY. NO.
SCALE	CODE	S401-70(2985)

THE CONTENTS OF THIS DRAWING ARE THE EXCLUSIVE PROPERTY OF THE TECHNICAL MATERIEL CORP. ITS UNAUTHORIZED USE OR REPRODUCTION IN WHOLE OR IN PART IS STRICTLY FORBIDDEN.