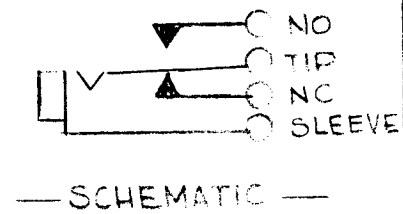
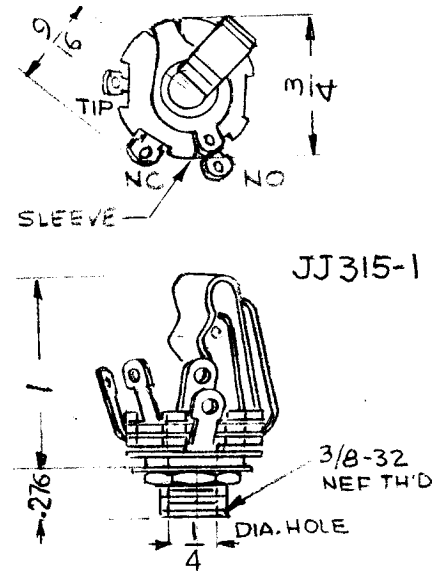


TMC PART NUMBER	MFGR. PART NUMBER	REQ. PER UNIT	MODEL	USED ON ASSY. NO.	DATE	JJ 315 - \emptyset
JJ315-1	13A		STR SMR		9-24-64	

SPECIFICATIONS

MOUNTING BUSHING: BRASS, NICKEL PLATED. MOUNTS IN SINGLE 3/8" DIAMETER HOLE.
INSULATION: TYPE XXP PAPER BASE PHENOLIC. TYPE XXXP PAPER BASE PHENOLIC SPACERS (TYPE PBE-P, PER MIL-P-3115A) IN MIL TYPES.
SPRINGS; SPECIAL ALLOY OF SPRING TEMPERED NICKEL SILVER.
SLEEVE TERMINAL: BRASS PLATED, HOT TINNED.
HARDWARE; SUPPLIED WITH ONE BRASS NICKEL PLATED LOCKNUT AND ONE STEEL NICKEL PLATED WASHER.



REQ. ITEM	PART NO.	AALTONEN	DESCRIPTION	SYMBOL
			THE TECHNICAL MATERIEL CORP. MAMARONECK, NEW YORK	
\emptyset	NOMINAL RELEASE FOR PRODUCTION	9-28-64		
X	EXP. RELEASE	9-24-64	JACK, PHONE	
SYM	DESCRIPTION	DATE	CH. NO.	DRAFTS
	UNLESS OTHERWISE SPECIFIED DIMENSIONS ARE IN INCHES AND INCLUDE CHEMICALLY APPLIED OR PLATED FINISHES	SCALE	DO NOT SCALE	
DECIMALS X \pm .05 XX \pm .01 XXX \pm .005	TOLERANCES	FRACTIONS \pm 1/64 ANGLES \pm 0° 30'	CODE C	5401-154
			TYPE & TEMPER	HEAT TREAT. SPEC.
			FINISH & SPEC. NO.	
			DRAWN	CHECKED
			ELEC. DES. APP.	MECH. DES. APP.
			FINAL APPROVAL	