

# STANDARD DRAWING

TMC P/N	MFG P/N RECEPTACLE	NO. OF CONTACTS	A MAX.	B	C MAX.	D MAX.	E	TMC HOOD NO.	MATES WITH
JJ313-1*	17-70150-1	15	1.567	1.312	.515	13/32	1-21/64	HO100-1	JJ310-1
JJ313-2*	17-70250-1	25	2.109	1.852	.515	19/32	1-23/64	HO100-2	JJ310-2
JJ313-3*	17-70370-1	37	2.754	2.500	.515	23/32	1-23/64	HO100-3	JJ310-3
JJ313-4*	17-70090-1	9	1.239	.984	.515	13/32	1-21/64	HO100-4	JJ310-4
JJ313-5*	17-70500-1	50	2.661	2.406	.645	13/16	1-23/64	HO100-5	JJ310-6

REVISIONS						
SYM	DESCRIPTION	DATE	E.M.N. NO.	DRAFT	CHKD	APPD
X	EXPERIMENTAL RELEASE	7-24-64	0	SRG		
Ø	ORIGINAL RELEASE FOR PRODUCTION	9-15-64	Ø	SRG		
A	CLERICAL CHANGE	11-5-64	-	SRG		
B	ON DIELECTRIC, "DIALYL PHTHALATE" WAS "ZYTOL 110" "NOTE: FOR REF. AND... "ADD; ON CHART, MFG. PN, "17-7..." WAS "17-2..."	11-18-64	12914	SRG		
C	NOTE AND LINE JJ313-5* ADDED	9/14/65	14691	SRG		

**CONTACT DATA (SEE NOTE)**

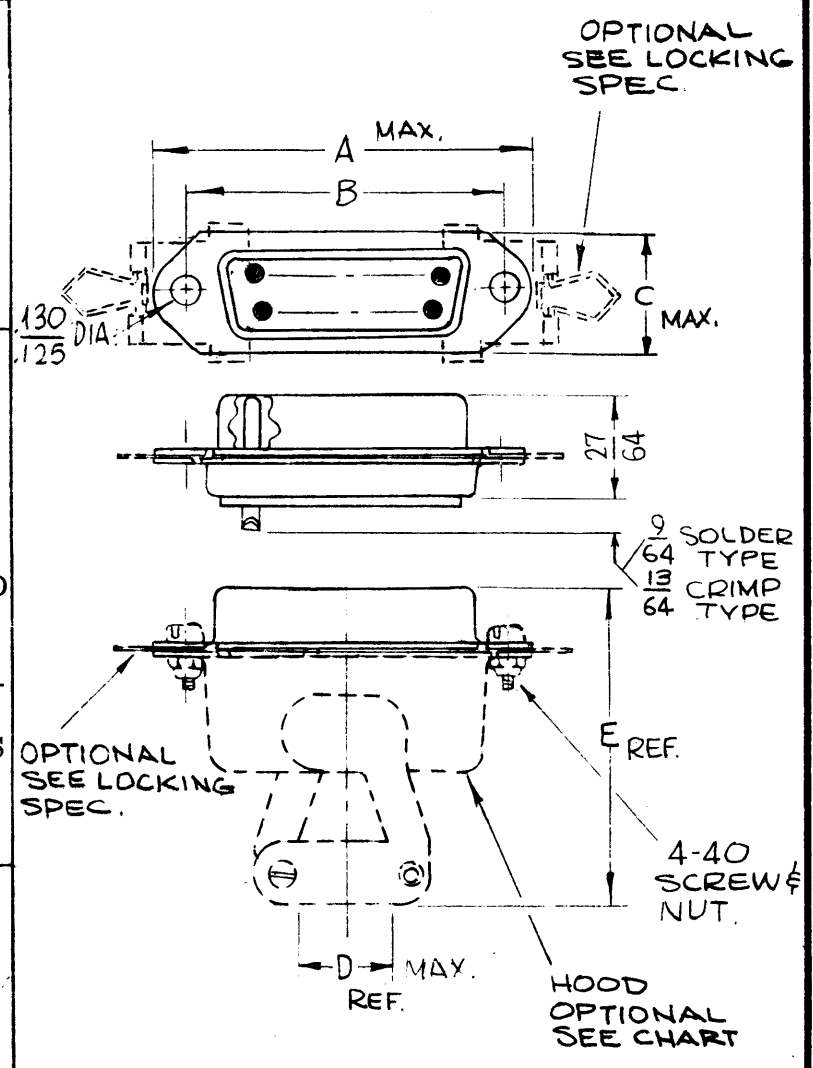
TYPE: MALE  
 STYLE: CRIMP PINS REMOVABLE  
 CURRENT: 5A  
 VOLTAGE: 500 RMS  
 WIRE SIZE ACCOMODATED: #20 AWG  
 MATERIAL: SILNIC BRONZE  
 FINISH: GOLD OVER SILVER PLATE

DIELECTRIC: DIALYL PHTHALATE  
 CONNECTOR:  
 MATERIAL: STEEL CADMIUM PLATE  
 FINISH: CLEAR CHROMATE  
 POLARIZATION: CONNECTOR SHAPE

LOCKING: CONNECTOR MAY BE MODIFIED WITH FS-125 SPRING LATCH TO PROVIDE LOCKING FEATURE.

PINS ARE TO BE PACKAGED WITH CONNECTOR. WHEN CONNECTOR IS PURCHASED WITH HOOD, RECEPTACLE, HOOD AND PINS MUST BE PACKAGED TOGETHER.  
 CRIMP TOOL: 294-91  
 INSERTION TOOL: 294-92

NOTE: FOR REF & SPARE PARTS PURPOSES, THE CONTACT NO. SHALL BE PN119-1.  
 HARDWARE SUPPLIED ONLY WHEN HOOD IS SPECIFIED



REQ'D.	ITEM	PART NUMBER	DESCRIPTION	SYMBOL
F. EATON LIST OF MATERIAL				
MATERIAL SEE SPECS			THE TECHNICAL MATERIEL CORP. MAMARONECK, NEW YORK	
FINISH SEE SPECS			TITLE PLUG, CONNECTOR	
UNLESS OTHERWISE SPECIFIED DIMENSIONS ARE IN INCHES AND INCLUDE CHEMICALLY APPLIED OR PLATED FINISHES			DRAWN SRG	DATE 7-24-64
DECIMALS .X ± .05 .XX ± .01 .XXX ± .005			CHECKED @	DATE 9/14/64
FRACTIONS ± 1/64 ANGLES ± 0° 30'			ELECT. DES. JCE	DATE 9/14/64
TOLERANCES			MECH. DES.	DATE
THE CONTENTS OF THIS DRAWING ARE THE EXCLUSIVE PROPERTY OF THE TECHNICAL MATERIEL CORP. ITS UNAUTHORIZED USE OR REPRODUCTION IN WHOLE OR IN PART IS STRICTLY FORBIDDEN.			FINAL APPROVAL Rc JJ313	
SCALE #			SHEET	
RTTD-1			REV. LTR. C	
MODEL USED ON C			ASS'Y. NO. S401-71	

\* ADD H TO PART NO. WHEN HOOD IS USED.  
 F-FOR FLOATING BUSHING.

## NOTES

# STANDARD DRAWING