

STANDARD DRAWING

JJ311

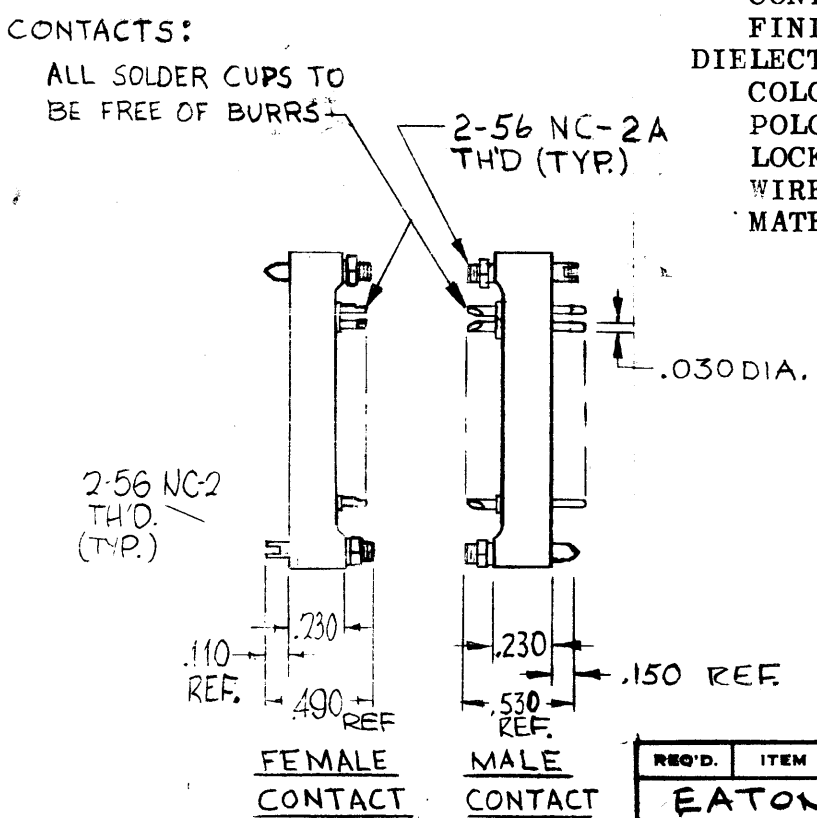
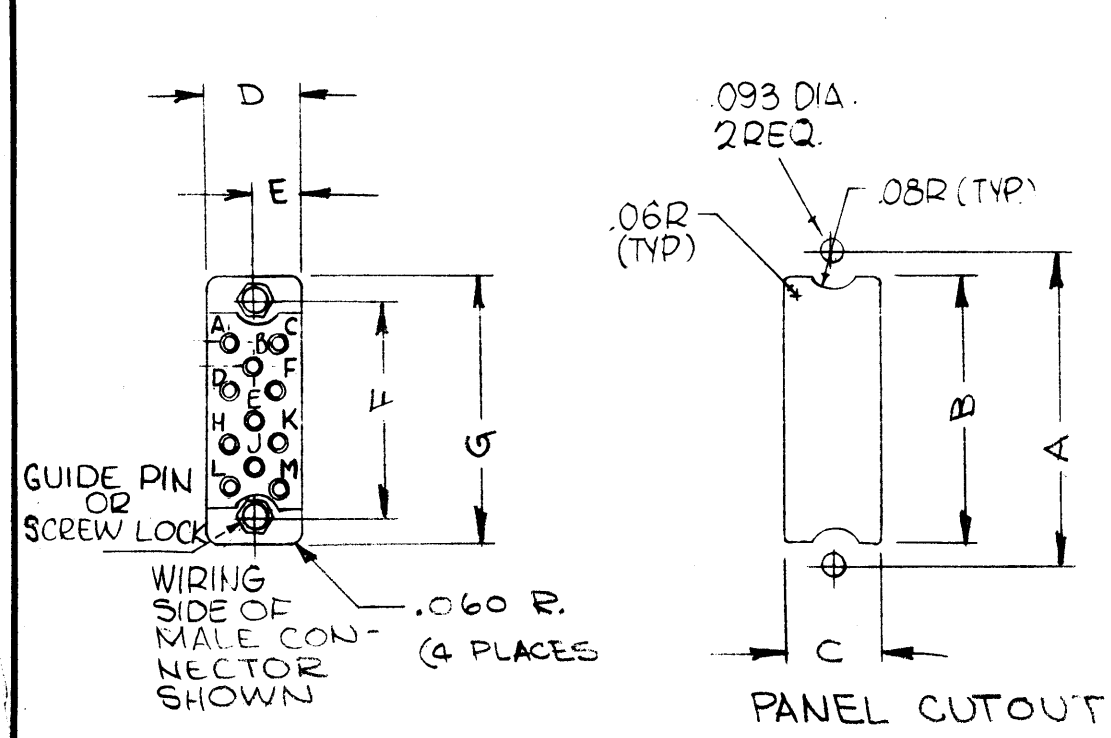
REVISIONS

SYM	DESCRIPTION	DATE	E.M.N. NO.	DRAFT	CHKD	APPD
X	EXPER. RELEASE	6-11-64	1	SR		SM
Ø	ORIGINAL RELEASE FOR PRODUCTION	9-23-64	Ø	KR		SM
A	DRAWING UPDATED (DIM. & DET.)	5-2-66	16189	WHD		SC
B	REF ADDED TO .110, .150, .490, .530 DIM.	7-15-66	16566	WHD		SM

TMC PART NUMBER	MFG PART NUMBER	NO. OF CONTACTS	DIMENSIONS						
			A	B	C	D	E	F	G
JJ311-1*	MM11*-FSL	11	.532	.410	.270	.270	.135	.532	.780

CONTACT DATA

TYPE: MALE OR FEMALE
 STYLE: ROUND
 CURRENT RATING: 3 AMPS MAX.
 VOLTAGE BREAKDOWN AT SEA LEVEL: 1800V RMS
 MATERIAL: PHOSPHER BRONZE
 CONTACTS: CENTER TO CENTER .094" MIN.
 FINISH: GOLD OVER SILVER
 DIELECTRIC: DIALLYL PHTHALATE
 COLOR: GREEN
 POLORIZATION: KEY
 LOCKING: SCREWLOCK
 WIRE SIZE ACCOMODATED: #22 AWG
 MATES WITH: PL247.



PART NO. DESCRIPTION
JJ311 - 1 P
 BASIC P/N TYPE SEE CHART *CONTACTS P-PIN S-SOCKET

Q'TY./UNIT	MODEL USED ON	ASS'Y. NO.
SCALE	CODE	
	C	401-136

THE CONTENTS OF THIS DRAWING ARE THE EXCLUSIVE PROPERTY OF THE TECHNICAL MATERIEL CORP. ITS UNAUTHORIZED USE OR REPRODUCTION IN WHOLE OR IN PART IS STRICTLY FORBIDDEN.

REQ'D.	ITEM	PART NUMBER	DESCRIPTION	SYMBOL
EATON LIST OF MATERIAL				
MATERIAL			THE TECHNICAL MATERIEL CORP. MAMARONECK, NEW YORK	
FINISH			TITLE CONNECTOR RECEPTACLE MICRO MINIATURE	
UNLESS OTHERWISE SPECIFIED DIMENSIONS ARE IN INCHES AND INCLUDE CHEMICALLY APPLIED OR PLATED FINISHES			DRAWN SRG	DATE 6-11-64
DECIMALS .X ± .05 .XX ± .01 .XXX ± .005			CHECKED FM	DATE 9-24-64
FRACTIONS ± 1/64 ANGLES ± 0° 30'			ELECT. DES. SRG	DATE 9/25/64
TOLERANCES			MECH. DES. B.P.	DATE 9/24/64
FINAL APPROVAL				DATE
JJ311				B
SHEET				REV. LTR.

NOTES