

TMC PART NO.	IMPEDANCE	I.D.	MFGR. No
JJ-305-50	50 OHMS	.588	
JJ-305-70	70 OHMS	.385	

JJ-305

REVISIONS						
SYM	DESCRIPTION	DATE	E.M.N. NO.	DRAFT	CHKD	APPD

SPECIFICATIONS

SERIES - QDS
 NO. OF CONTACTS - ONE (1)
 TYPE OF CONTACT - MALE
 DIELECTRIC - TEFLON

ELECTRICAL DATA

MAX. PEAK VOLTAGE - 5 KV
 FREQ. LIMIT - 10,000 MCS
 NOM. IMPEDANCE - 50 Ω OR 70 Ω

CABLE ACCOMMODATIONS

TYPE - 1 5/8 EIA

MATERIEL

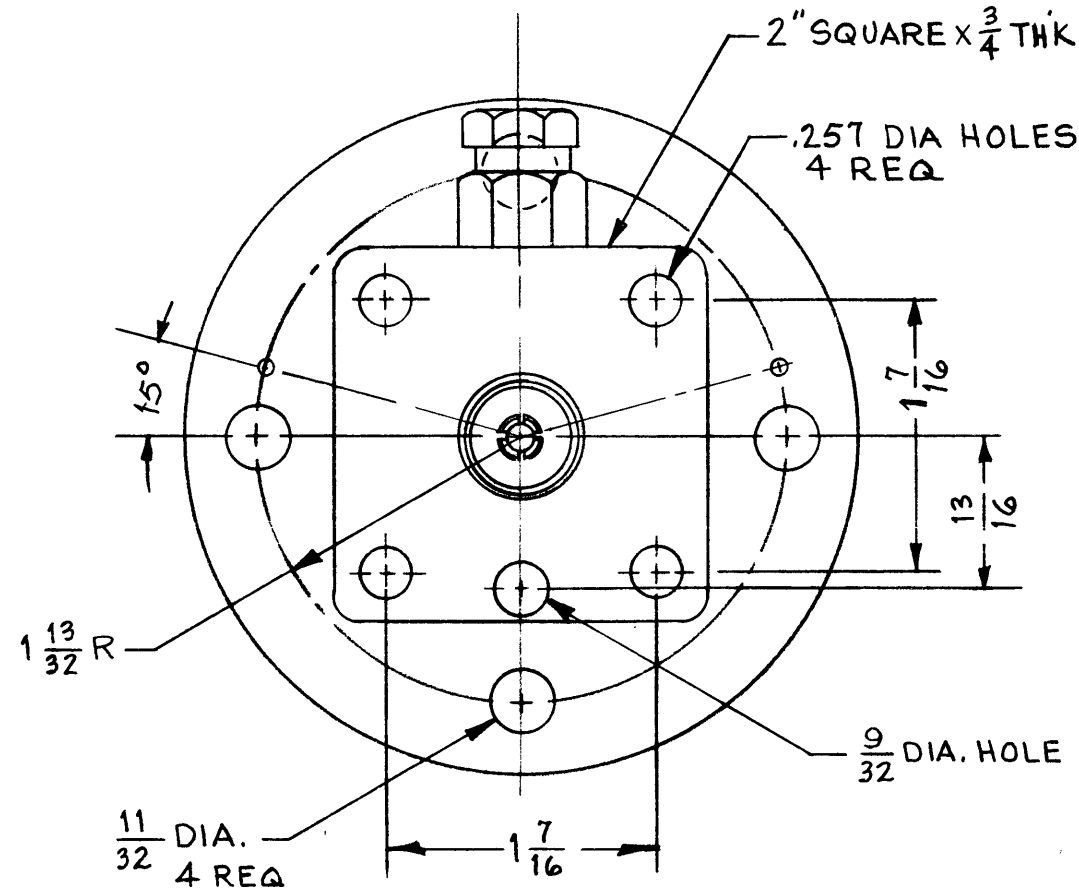
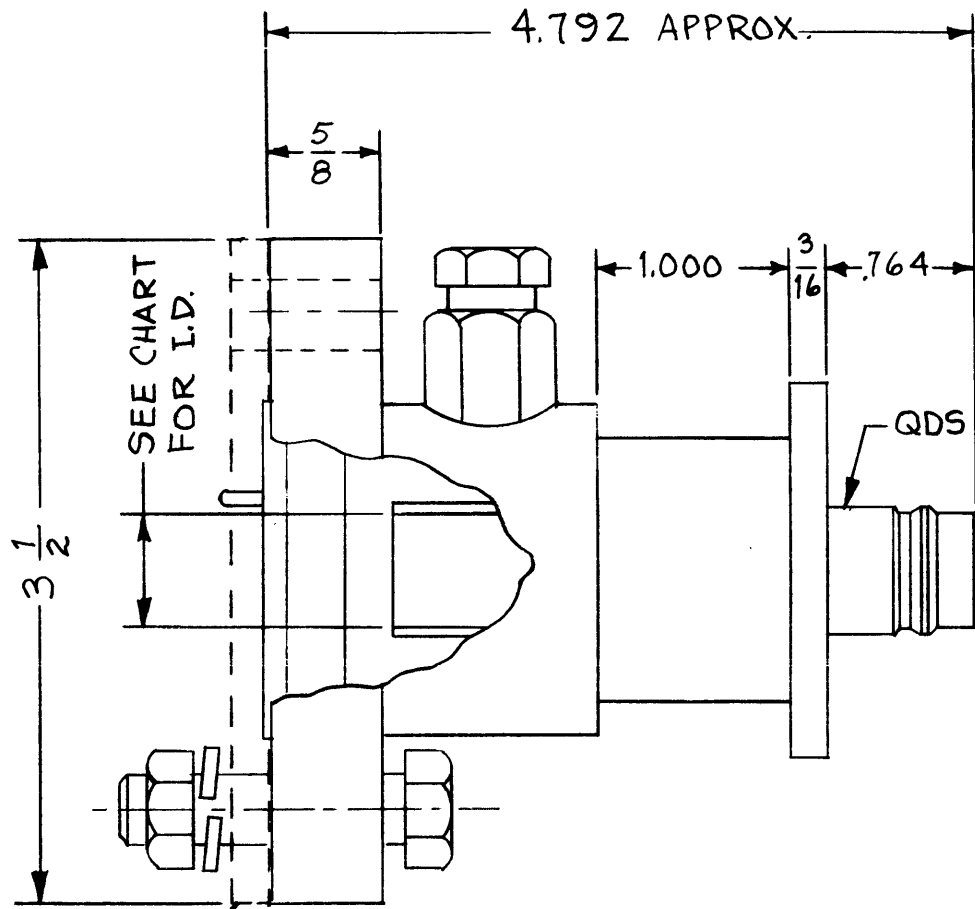
EXTERNAL PARTS - BRASS
 CONTACT - BRASS
 CONTACT FINGER - BERYLLIUM COPPER

FINISH

EXT. PARTS - BRASS
 CONTACT, FINGERS - BERYLLIUM

SUPPLIED BY MFR.

O-RING - 1 REQ
 SCREW MACHINE - SCHH3118NR24 - 4 REQ
 WASHER, LOCK SPLIT - LWS31HRN - 4 REQ
 NUT, HEX - NTH3118NR16 - 4 REQ
 CONNECTOR, INNER - PO-218-XX - 1 REQ



PROTECTIVE COVER
 IMPREGNATED FIBRE
 BOARD

REQ'D.	ITEM	PART NUMBER	DESCRIPTION	SYMBOL
MARTINEGO LIST OF MATERIAL				
MATERIAL		THE TECHNICAL MATERIEL CORP. MAMARONECK, NEW YORK		
FINISH		TITLE ADAPTER, CONNECTOR QDS TO EIA, 1 5/8 50 Ω OR 70 Ω		
UNLESS OTHERWISE SPECIFIED DIMENSIONS ARE IN INCHES AND INCLUDE CHEMICALLY APPLIED OR PLATED FINISHES		DRAWN M TANTILLO	DATE 12-19-63	FINAL APPROVAL BP
DECIMALS .X ± .05 .XX ± .01 .XXX ± .005		CHECKED JW	DATE 12-19-63	DATE
FRACTIONS ± 1/64 ANGLES ± 0° 30'		ELECT. DES.	DATE	JJ-305
TOLERANCES		MECH. DES.	DATE 12-19-63	SHEET
THE CONTENTS OF THIS DRAWING ARE THE EXCLUSIVE PROPERTY OF THE TECHNICAL MATERIEL CORP. ITS UNAUTHORIZED USE OR REPRODUCTION IN WHOLE OR IN PART IS STRICTLY FORBIDDEN.		REV. LTR.		

NOTES

Q'TY./UNIT	MODEL USED ON	ASS'Y. NO.
SCALE	CODE C	S-401-70