

REQ. PER UNIT	USED ON			JJ-300
	MODEL	ASS'Y. NO.	DATE	
	JPP-AX5500B8		9-26-63	

**SPECIFICATIONS:**

Series - HN  
 No. of Contacts - ONE (1)  
 Type of Contact - FEMALE  
 Dielectric - TEFLON

**ELECTRICAL DATA:**

Max. Peak Opr. Volt - 1500 V  
 Freq. Limit - 10,000 MCS  
 Nominal Impedance - 50 OHMS

**CABLE ACCOMMODATIONS:**

Type - FOAMFLEX HELIAX 1/2"

**MATING ACCOMMODATIONS:**

Type - HN

**MATERIAL:**

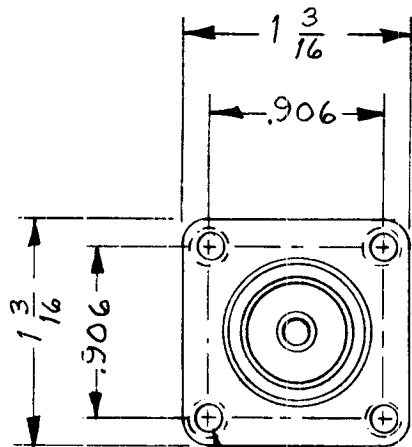
External Parts - COPPER  
 Contact - COPPER  
 Gasket - SILICONE

**FINISH:**

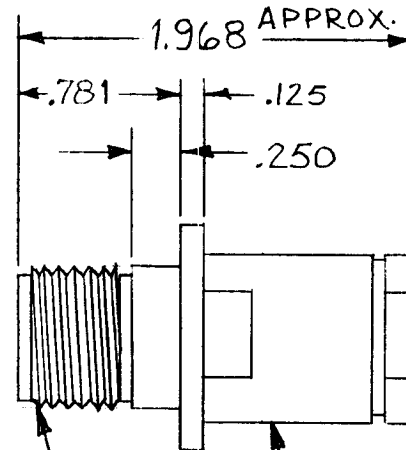
External Parts - COPPER.  
 Contact - COPPER

**PANEL:**

Max. Thickness 3/16



DRILL & TAP FOR 6-32 (4 REQ.)



STAMP TM PART No. JJ-300

3/4 - 20 THD

REQ.	ITEM	PART NO.	MARTINENGO	DESCRIPTION	SYMBOL							
				THE TECHNICAL MATERIEL CORP. MAMARONECK, NEW YORK								
				RECEPTACLE PANEL MOUNT								
				HN TO 1/2" FOAM HELIAX								
SYM	DESCRIPTION	DATE	CH. NO.	DRAFTS	CHECKER	ENG. APP.	MATERIAL					
UNLESS OTHERWISE SPECIFIED DIMENSIONS ARE IN INCHES AND INCLUDE CHEMICALLY APPLIED OR PLATED FINISHES		SCALE						M.TANTILLO	9-26-63			
DECIMALS .X ± .05 .XX ± .01 .XXX ± .005		FRACTIONS ± 1/64 ANGLES ± 0° 30'		TOLERANCES		CODE		TYPE & TEMPER	HEAT TREAT. SPEC.	DRAWN	CHECKED	FINAL APPROVAL
												JJ-300
								FINISH & SPEC. NO.	ELEC. DES. APP.	MECH. DES. APP.		