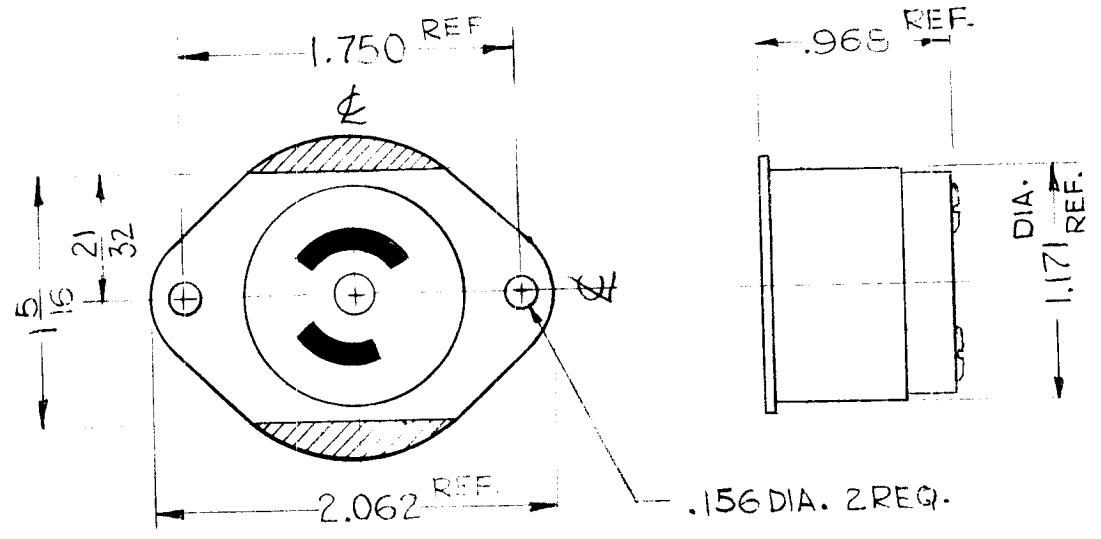
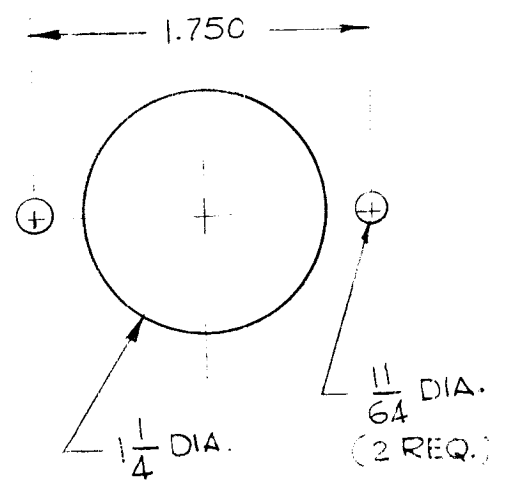


REQ. PER UNIT	USED ON			JJ-299
	MODEL	ASS'Y. NO.	DATE	
1	LFA-4		9-27-63	



MTG. DETAIL



SPECIFICATIONS:
MIDGET SIZE
BLACK BAKELITE
POLARIZED
10 AMPS, 250 VOLTS
15 AMPS, 125 VOLTS

NOTE
MODIFY TMC PART NO. JJ-175
BY REMOVING SHADED
AREA AS SHOWN
MATES WITH TMC PART
NO. PL-176.

REQ.	ITEM	PART NO.	POSE	DESCRIPTION	SYMBOL						
				THE TECHNICAL MATERIEL CORP. MAMARONECK. NEW YORK							
				RECEPTACLE (TWISTLOCK) MALE							
				CHASSIS MOUNT (POLARIZED)							
SYM	DESCRIPTION	DATE	CH. NO.	DRAFTS	CHECKER	ENG. APP.	MATERIAL	G.D.L.	10/7/63	10P	
UNLESS OTHERWISE SPECIFIED DIMENSIONS ARE IN INCHES AND INCLUDE CHEMICALLY APPLIED OR PLATED FINISHES		SCALE		5401-43 (7486)			TYPE & TEMPER	HEAT TREAT. SPEC.	DRAWN	CHECKED	FINAL APPROVAL
DECIMALS .X ± .05 .XX ± .01 .XXX ± .005	TOLERANCES	FRACTIONS ± 1/64 ANGLES ± 0° 30'	CODE				FINISH & SPEC. NO.	ELEC. DES. APP.	MECH. DES. APP.	JJ-299	