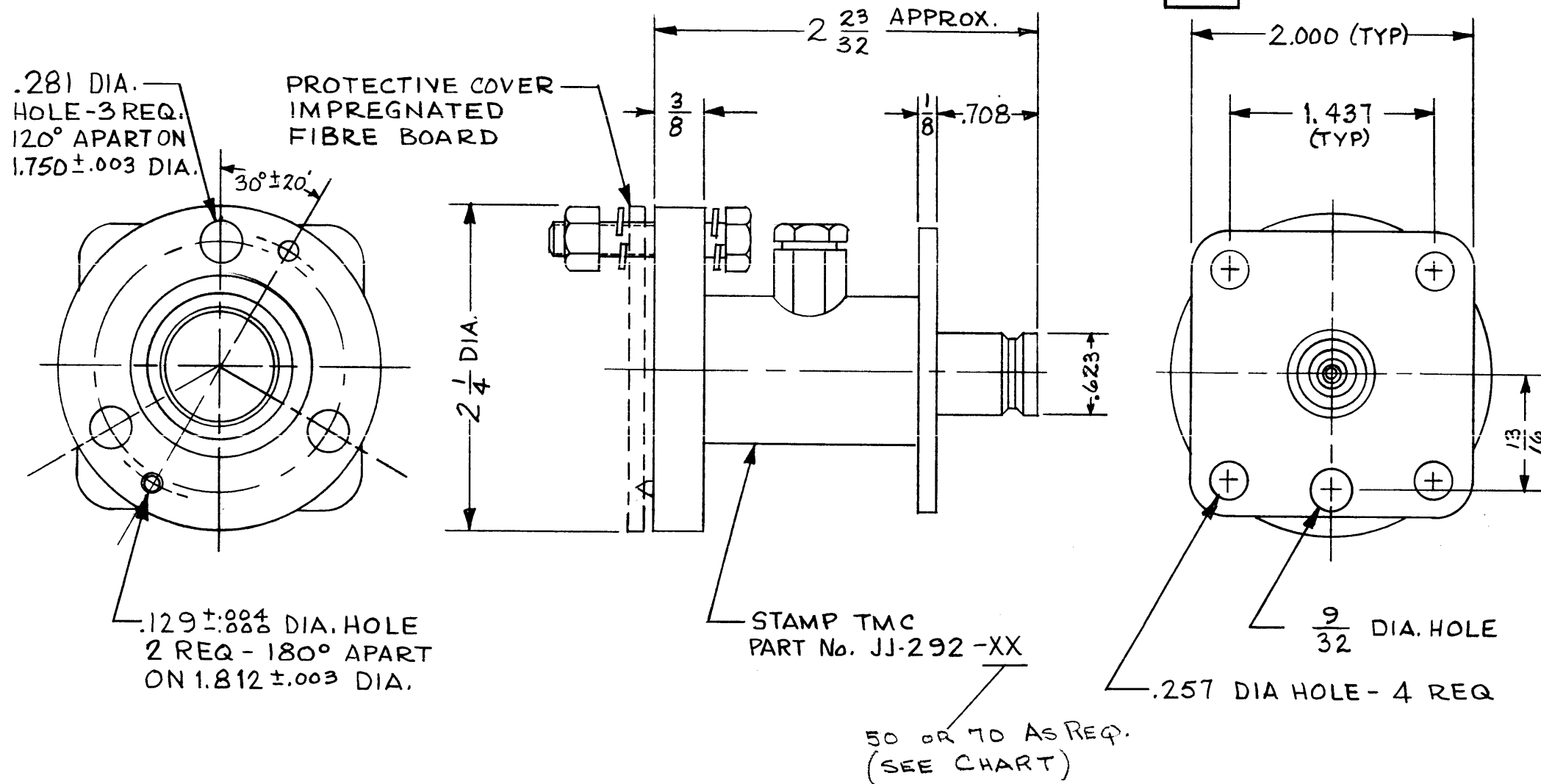


TMC PART No.	IMPEDANCE
JJ-292-50	50 - OHMS
JJ-292-70	70 - OHMS

REVISIONS						
SYM	DESCRIPTION	DATE	E.M.N. NO.	DRAFT	CHKD	APPD

JJ-292



**SPECIFICATIONS:**  
 Series - QDS  
 No. of Contacts - One (1)  
 Type of Contact - Female  
 Dielectric - Teflon

**ELECTRICAL DATA:**  
 Max. Peak Opr. Volt - 5 KV  
 Freq. Limit - 10,000 MCS  
 Nominal Imp danc - 50Ω or 70Ω

**CABLE ACCOMMODATIONS:**  
 Type - 7/8 EIA

**MATING ACCOMMODATIONS**  
 Type - None

**MATERIAL:**  
 External Parts - Brass  
 Contact - Beryllium Copper

**FINISH:**  
 External Parts - Silver Plate & Rhodium Flash  
 Contact - Silver Plat & Gold Flash

**PANEL:**  
 Max. Thickness - 3/16

**SUPPLIED BY MFR.**

O-RING-GA-158-1	- 1 REQ
SCREW, MACHINE-SCHH2520NR16	- 3 REQ
LOCKWASHER, SPLIT-LWS25HRN	- 6 REQ
NUT, HEX-NTH2520NR14	- 3 REQ
CONNECTOR, INNER PO-287-XX	- 1 REQ

50Ω OR 70Ω AS REQ

REQ'D.	ITEM	PART NUMBER	DESCRIPTION	SYMBOL
<b>MARTIN ENGO LIST OF MATERIAL</b>				
MATERIAL		<b>THE TECHNICAL MATERIEL CORP.</b> MAMARONECK, NEW YORK		
FINISH		TITLE ADAPTER, CONNECTOR, EIA FLANGE TO QDS-50Ω OR 70Ω		
UNLESS OTHERWISE SPECIFIED DIMENSIONS ARE IN INCHES AND INCLUDE CHEMICALLY APPLIED OR PLATED FINISHES		DRAWN M. TANTILLO	DATE 9-18-63	FINAL APPROVAL <i>[Signature]</i>
DECIMALS .X ± .05 .XX ± .01 .XXX ± .005		CHECKED <i>[Signature]</i>	DATE 10/1/63	DATE
FRACTIONS ± 1/64 ANGLES ± 0° 30'		ELECT. DES. <i>[Signature]</i>	DATE	DATE
TOLERANCES		MECH. DES. <i>[Signature]</i>	DATE 10-7-63	DATE
THE CONTENTS OF THIS DRAWING ARE THE EXCLUSIVE PROPERTY OF THE TECHNICAL MATERIEL CORP. ITS UNAUTHORIZED USE OR REPRODUCTION IN WHOLE OR IN PART IS STRICTLY FORBIDDEN.		SHEET		REV. LTR.

**NOTES**

QTY./UNIT	MODEL USED ON	ASS'Y. NO.
SCALE	CODE	S401-70-2960-(50) S401-70-2961-(70)