

THE CONTENTS OF THIS DRAWING ARE THE EXCLUSIVE PROPERTY OF THE TECHNICAL MATERIEL CORP. ITS UNAUTHORIZED USE FOR REPRDUCTION IN WHOLE OR IN PART IS STRICTLY FORBIDDEN.

REQ. PER UNIT

USED ON

MODEL

ASSY. NO.

DATE

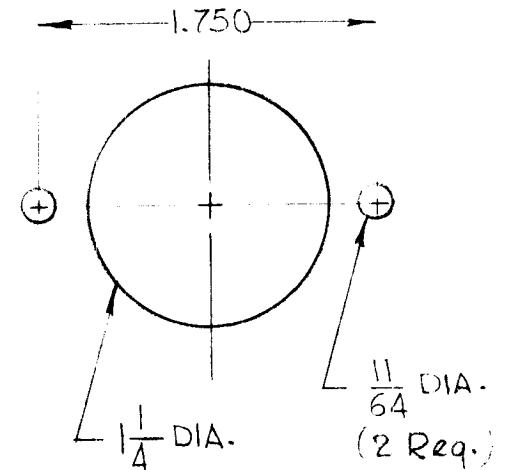
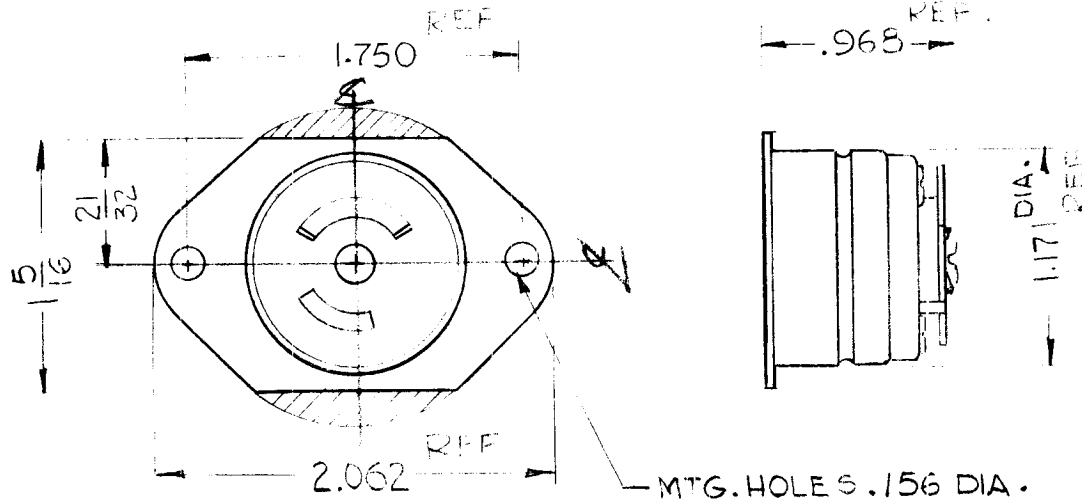
1

LFA-4

5-31-63

JJ-290

MTG. DETAIL



-- ELECTRICAL SPECIFICATIONS --  
 10 AMPS, 250 VOLTS  
 15 AMPS, 125 VOLTS

NOTE:  
 MODIFY TMC PART NO. JJ-235  
 BY REMOVING SHADED  
 AREA AS SHOWN.

REQ.	ITEM	PART NO.	O. POSE		DESCRIPTION	SYMBOL
					THE TECHNICAL MATERIEL CORP. MAMARONECK, NEW YORK	
			STOCK SIZE		PLUG. RECEPTACLE	
			SEE NOTE		TWIST LOCK, FEMALE	
			MATERIAL			
SYM	DESCRIPTION	DATE	CH. NO.	DRAFTS	CHECKER	ENG. APP.
UNLESS OTHERWISE SPECIFIED DIMENSIONS ARE IN INCHES AND INCLUDE CHEMICALLY APPLIED OR PLATED FINISHES		SCALE				
		1:1				
DECIMALS .X ± .05 .XX ± .01 .XXX ± .005	TOLERANCES	FRACTIONS ± 1/64 ANGLES ± 0° 30'	CODE	S401-43(7487) MODIFIED		
					TYPE & TEMPER	HEAT TREAT. SPEC.
					DRAWN	CHECKED
					FINAL APPROVAL	
					ELEC. DES. APP. MECH. DES. APP.	
					JJ-290	