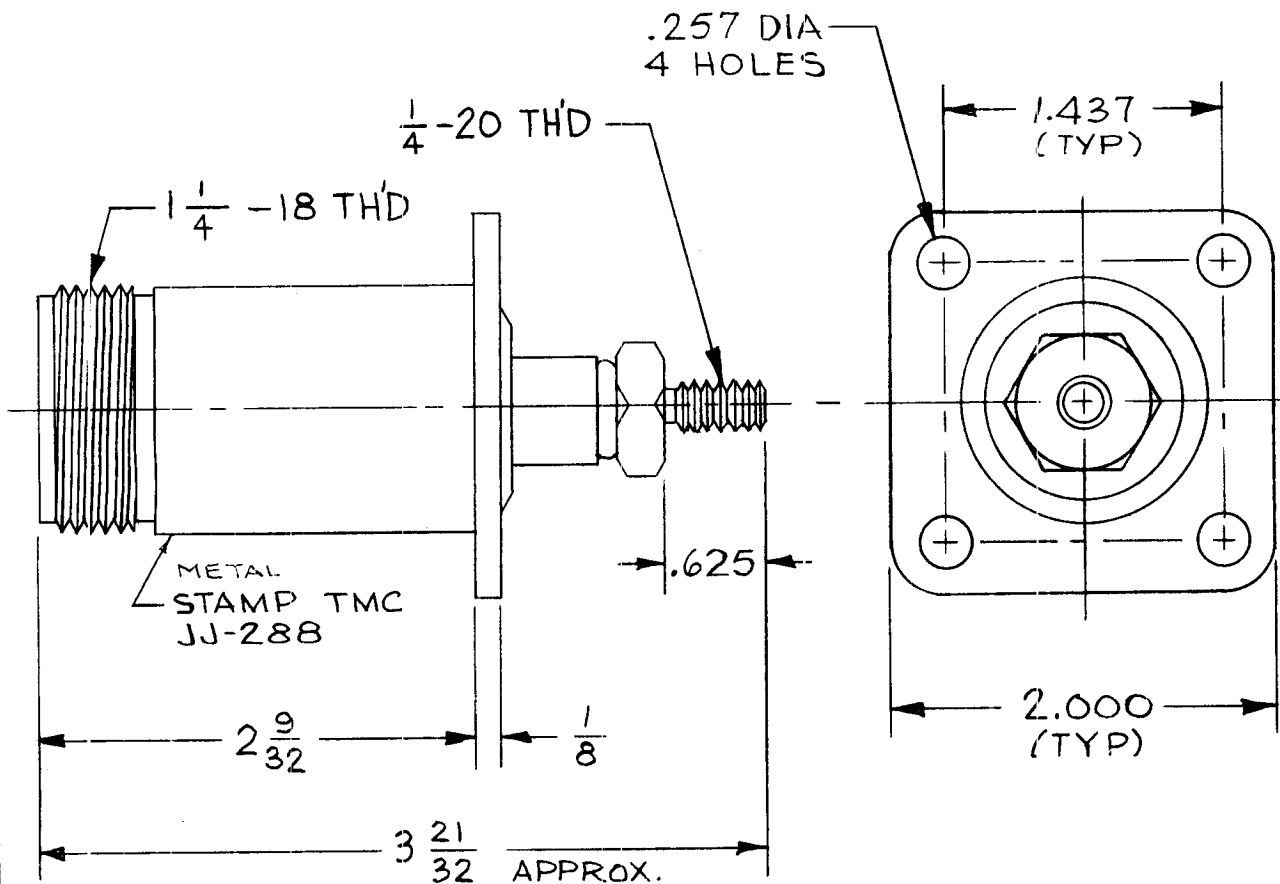


THE CONTENTS OF THIS DRAWING ARE THE EXCLUSIVE PROPERTY OF THE TECHNICAL MATERIEL CORP. ITS UNAUTHORIZED USE FOR REPRODUCTION IN WHOLE OR IN PART IS STRICTLY FORBIDDEN.

REQ. PER UNIT	USED ON		
	MODEL	ASS'Y. NO.	DATE
			6-18-63

JJ-288



SPECIFICATIONS:

Series - LC (10)
 No. of Contacts - One (1)
 Type of Contact - Female
 Dielectric - Teflon

ELECTRICAL DATA:

Max. Peak Opr. Volt - 10,000 V.
 Nominal Impedance - 50 Ohms

MATING ACCOMMODATIONS:

Type - Stud

MATERIAL:

External Parts - Brass
 Contact - Beryllium Copper
 Gasket - Silicone Rubber

FINISH:

External Parts - Silver Plate
 and Rhodium Flash
 Contact - Silver Plate and
 Gold Flash

SYM	DESCRIPTION	DATE	CH. NO.	DRAFTS	CHECKER	ENG. APP.	REQ. ITEM	PART NO.	DESCRIPTION	SYMBOL
									THE TECHNICAL MATERIEL CORP. MAMARONECK, NEW YORK CONNECTOR, RECEPTACLE LC (10)	
								STOCK SIZE		
								MATERIAL		
								TYPE & TEMPER		
								HEAT TREAT. SPEC.		
								FINISH & SPEC. NO.		
									M. TANTILLO 6-18-63 DRAWN CHECKED FINAL APPROVAL JJ-288	

UNLESS OTHERWISE SPECIFIED DIMENSIONS ARE IN INCHES AND INCLUDE CHEMICALLY APPLIED OR PLATED FINISHES

SCALE: NONE

DECIMALS: .X ± .05, .XX ± .01, .XXX ± .005

FRACTIONS: ± 1/64 ANGLES: ± 0° 30'

TOLERANCES