

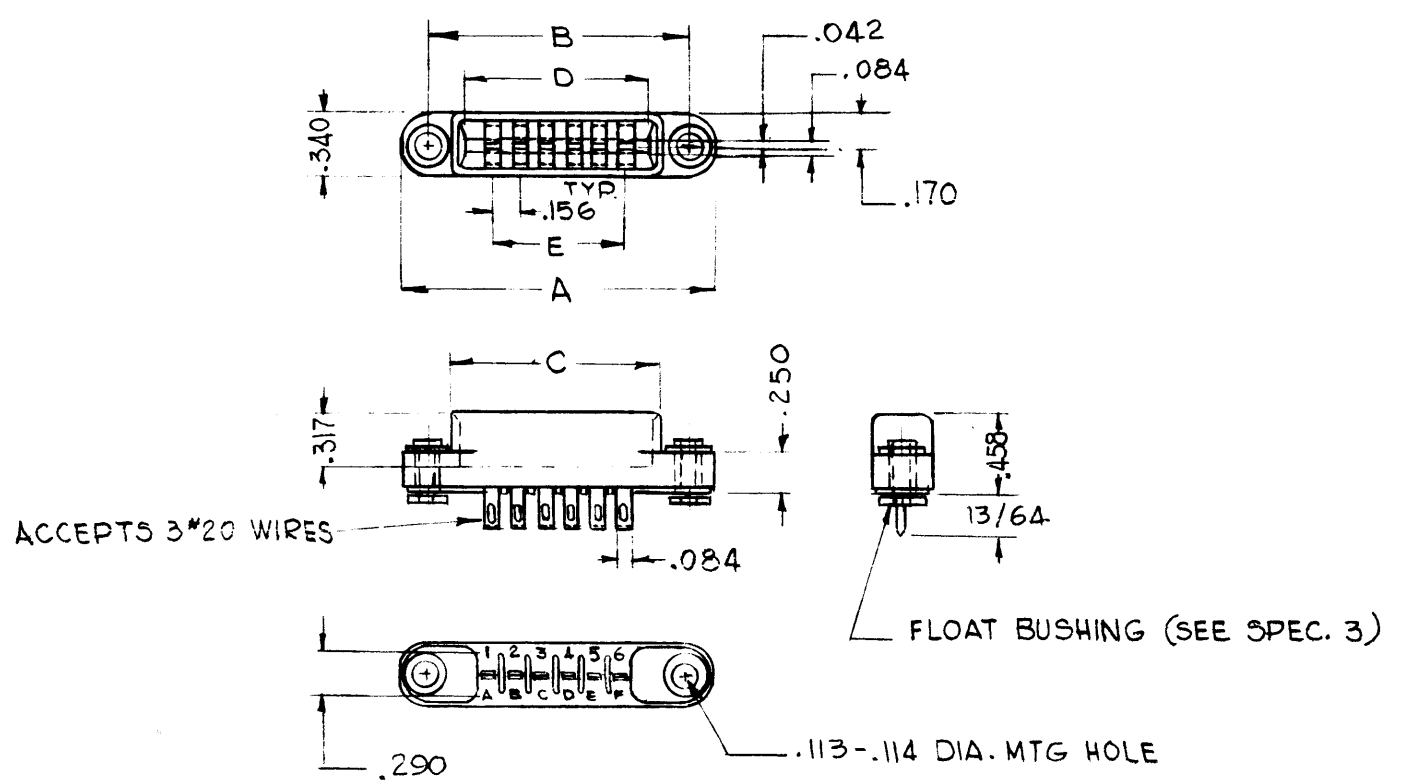
PART NUMBER	MFR. PART NUMBER	NO. OF CONTACTS	DIMENSIONS				
			A	B	C	D	E
JJ-285-6	CD-606S (FG)	6	1.785	1.531	1.239	1.097	0.781

SYM	DESCRIPTION	DATE	E.M.N. NO.	DRAFT	CHKD	APPD
JJ-285						

SPECIFICATIONS

- CONTACTS: A)TYPE - FEMALE, FLAT, SOLID FACE
B)CURRENT RATING - 5 AMP CONTINUOUS
C)VOLT. RATING - 600 VAC RMS
D)MATERIAL & FINISH - BERYLLIUM COPPER, GOLD PLATED
- DIELECTRIC: GLASS FILLED DIALLYL PHTHALATE; COLOR, GREEN
- FLOAT BUSHING: STAINLESS STEEL, PASSIVATED (ALLOWS 1/64 LATERAL MOVEMENT IN ANY DIRECTION)
- SHELL: NONE
- POLARIZATION: NONE
- LOCKING FEATURES: NONE

MATING CONNECTOR: TMC NO. JJ-286



REQ'D.	ITEM	PART NUMBER	DESCRIPTION	SYMBOL
KOHN LIST OF MATERIAL				
MATERIAL		THE TECHNICAL MATERIEL CORP. MAMARONECK, NEW YORK		
FINISH		CONNECTOR, RECEPTACLE, FEMALE		
UNLESS OTHERWISE SPECIFIED DIMENSIONS ARE IN INCHES AND INCLUDE CHEMICALLY APPLIED OR PLATED FINISHES		DRAWN G.D.L	DATE 5-23-63	FINAL APPROVAL
		CHECKED	DATE 5/24/63	BP JJ-285
		ELECT. DES. RKOHN	DATE 5/28/63	
		MECH. DES. W.JORDAN	DATE 5/27/63	SHEET
				REV. LTR.

4	TTR-10	AX-418
Q'TY./UNIT	MODEL USED ON	ASS'Y. NO.
SCALE	CODE	S401-241

THE CONTENTS OF THIS DRAWING ARE THE EXCLUSIVE PROPERTY OF THE TECHNICAL MATERIEL CORP. ITS UNAUTHORIZED USE OR REPRODUCTION IN WHOLE OR IN PART IS STRICTLY FORBIDDEN.

DECIMALS .X ± .05 .XX ± .01 .XXX ± .005
FRACTIONS ± 1/64 ANGLES ± 0° 30'

NOTES