

THE CONTENTS OF THIS DRAWING ARE THE EXCLUSIVE PROPERTY OF THE TECHNICAL MATERIEL CORP. ITS UNAUTHORIZED USE FOR REPRODUCTION IN WHOLE OR IN PART IS STRICTLY FORBIDDEN.

REQ. PER UNIT

USED ON

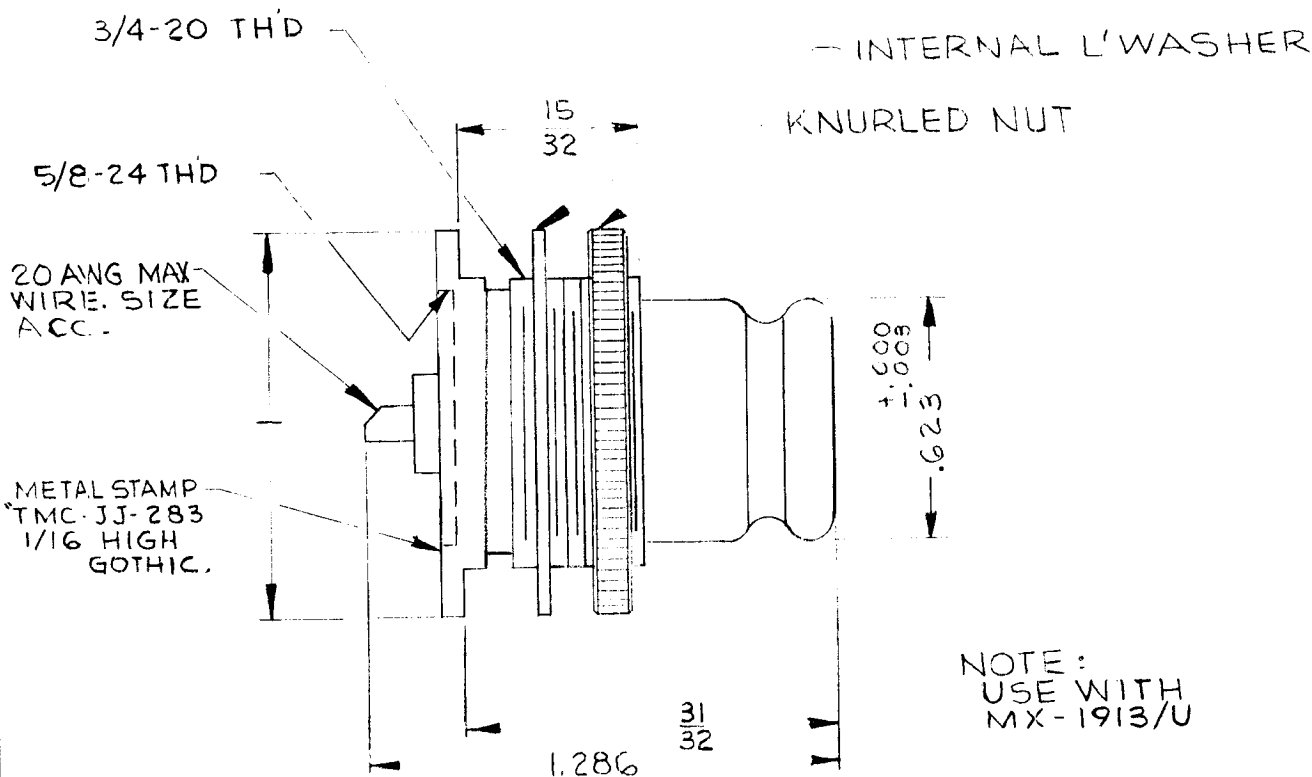
MODEL

ASS'Y. NO.

DATE

JJ-283

TO BE SUPPLIED BY MFR.  
 1- KNURLED NUT, TMC # NT-125  
 1- INTERNAL L'WASHER  
 1- FLAT WASHER



SPECIFICATIONS:

Series - QDS  
 No. of Contacts - One (1)  
 Type of Contact - Female  
 Dielectric - Teflon

ELECTRICAL DATA:

Max. Peak Opr. Volt - 5000 V.  
 Freq. Limit - 10,000 MCs.  
 Nominal Impedance - 50 Ohms

CABLE ACCOMMODATIONS:

Type -

MATING ACCOMMODATIONS:

Type - Solder Cup

MATERIAL:

External Parts - Brass  
 Contacts - Beryllium Copper

FINISH:

External Parts - Silver Plate and Rhodium Flash  
 Contacts - Silver Plate and Gold Flash

PANEL:

Max. Thickness - 3/16

NOTE:  
 USE WITH  
 MX-1913/U

REQ.	ITEM	PART NO.	MATERIAL AND DESCRIPTION			SYMBOL
			THE TECHNICAL MATERIEL CORP. MAMARONECK, NEW YORK			
			STOCK SIZE			
			CONNECTOR, RECEPTACLE (QDS)			
			MATERIAL			
SYM	DESCRIPTION	DATE	CH. NO.	DRAFTS	CHECKER	ENG. APP.
UNLESS OTHERWISE SPECIFIED DIMENSIONS ARE IN INCHES AND INCLUDE CHEMICALLY APPLIED OR PLATED FINISHES		SCALE	S-401-70 (2943)			
DECIMALS	TOLERANCES	FRACTIONS	CODE			
.X ± .05		± 1/64				
.XX ± .01		ANGLES				
.XXX ± .005		± 0° 30'				
				TYPE & TEMPER	HEAT TREAT. SPEC.	
				DRAWN	CHECKED	FINAL APPROVAL
				FINISH & SPEC. NO.	ELEC. DES. APP.	MECH. DES. APP.
						JJ-283