

THE CONTENTS OF THIS DRAWING ARE THE EXCLUSIVE PROPERTY OF THE TECHNICAL MATERIEL CORP. ITS UNAUTHORIZED USE FOR REPRODUCTION IN WHOLE OR IN PART IS STRICTLY FORBIDDEN.

REQ. PER UNIT

MODEL

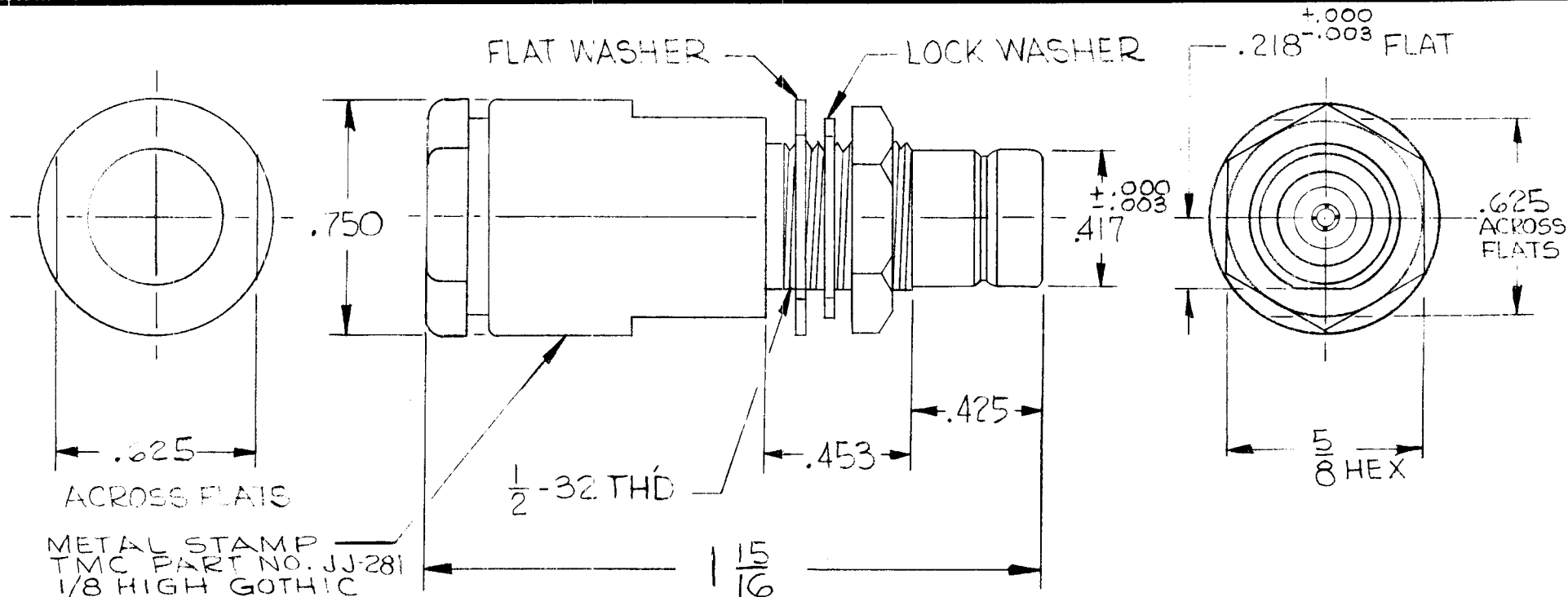
USED ON

ASS'Y. NO.

DATE

4-8-63

JJ-281



SPECIFICATIONS

Series - QDM
 No. of Contacts - One(1)
 Type of Contact - Female
 Dielectric - Teflon

CABLE ACCOMMODATIONS

Type - RG-214/U

ELECTRICAL DATA

Max. Peak Opr. Volt - 500V.
 Freq. Limit - 10,000 MC.
 Nom. Impedance - 50 Ohms

MATING ACCOMMODATIONS

Type - QDM

MATERIAL

External Parts - Brass
 Contact - Beryllium
 Copper
 Gasket - Silicone
 Rubber
 Lockwasher -
 Phosphor Bronze

FINISH

Ext. Parts - Silver Plate
 and Rhodium Flash
 Contact - Silver Plate
 and Gold Flash

PANEL

Max. Thickness - 3/16

REQ.	ITEM	PART NO.	MARTINENGO DESCRIPTION			SYMBOL
			THE TECHNICAL MATERIEL CORP. MAMARONECK, NEW YORK			
			STOCK SIZE			
			SEE NOTE			
			MATERIAL			
			CONNECTOR, RECEPTACLE QDM SERIES			
SYM	DESCRIPTION	DATE	CH. NO.	DRAFTS	CHECKER	ENG. APP.
	UNLESS OTHERWISE SPECIFIED DIMENSIONS ARE IN INCHES AND INCLUDE CHEMICALLY APPLIED OR PLATED FINISHES	SCALE	2 X 1			
	DECIMALS .X ± .05 .XX ± .01 .XXX ± .005	TOLERANCES	FRACTIONS ± 1/64 ANGLES ± 0° 30'	CODE	S401-70(2929)	
					TYPE & TEMPER	HEAT TREAT. SPEC.
					SEE NOTE	
					FINISH & SPEC. NO.	ELEC. DES. APP.
						MECH. DES. APP.
						JJ-281