

THE CONTENTS OF THIS DRAWING ARE THE EXCLUSIVE PROPERTY OF THE TECHNICAL MATERIEL CORP. ITS UNAUTHORIZED USE FOR REPRODUCTION IN WHOLE OR IN PART IS STRICTLY FORBIDDEN.

REQ. PER UNIT

16

MODEL

QDP-3A6X16

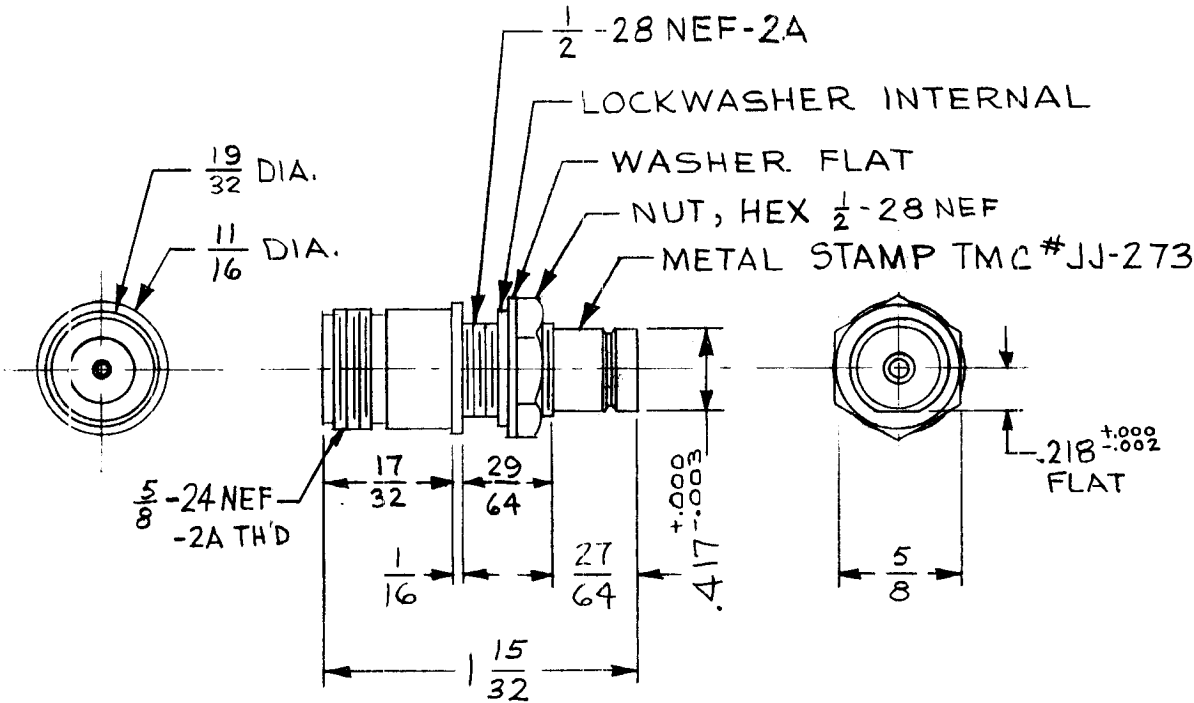
USED ON

ASS'Y. NO.

DATE

12-14-62

JJ-273



SPECIFICATIONS:

Series - QDM and N
 No. of Contacts - One, Each Side
 Type of Contact - Female, Both Dielectric - Teflon

ELECTRICAL DATA:

Max. Peak Opr. Volt - 500 Volts
 Freq. Limit - 10,000 MCs.
 Nominal Impedance - 50 Ohms

MATING ACCOMMODATIONS:

Type - QDM and N
 CABLE ACCOMMODATIONS: NONE

MATERIAL:

External Parts - Brass
 Contact - Beryllium Copper
 Gasket - None

FINISH:

External Parts - Silver Plate, Rhodium Flash
 Contact - Silver Plate, Gold Flash

REQ.	ITEM	PART NO.	MARTINENGO	DESCRIPTION	SYMBOL						
			THE TECHNICAL MATERIEL CORP. MAMARONECK, NEW YORK								
			STOCK SIZE								
			SEE NOTE								
			CONNECTION RECEPTACLE								
			"QDM" TO "N"								
SYM	DESCRIPTION	DATE	CH. NO.	DRAFTS	CHECKER	ENG. APP.	MATERIAL	M. TANTILLO			
UNLESS OTHERWISE SPECIFIED DIMENSIONS ARE IN INCHES AND INCLUDE CHEMICALLY APPLIED OR PLATED FINISHES		SCALE		1:1							
DECIMALS .X ± .05 .XX ± .01 .XXX ± .005	TOLERANCES	FRACTIONS ± 1/64 ANGLES ± 0° 30'	CODE	S401-70-2921			SEE NOTE				
							FINISH & SPEC. NO.	ELEC. DES. APP.	MECH. DES. APP.	JJ-273	