

THE CONTENTS OF THIS DRAWING ARE THE EXCLUSIVE PROPERTY OF THE TECHNICAL MATERIEL CORP. ITS UNAUTHORIZED USE FOR REPRCDUCTION IN WHOLE OR IN PART IS STRICTLY FORBIDDEN.

REQ. PER UNIT

USED ON

MODEL

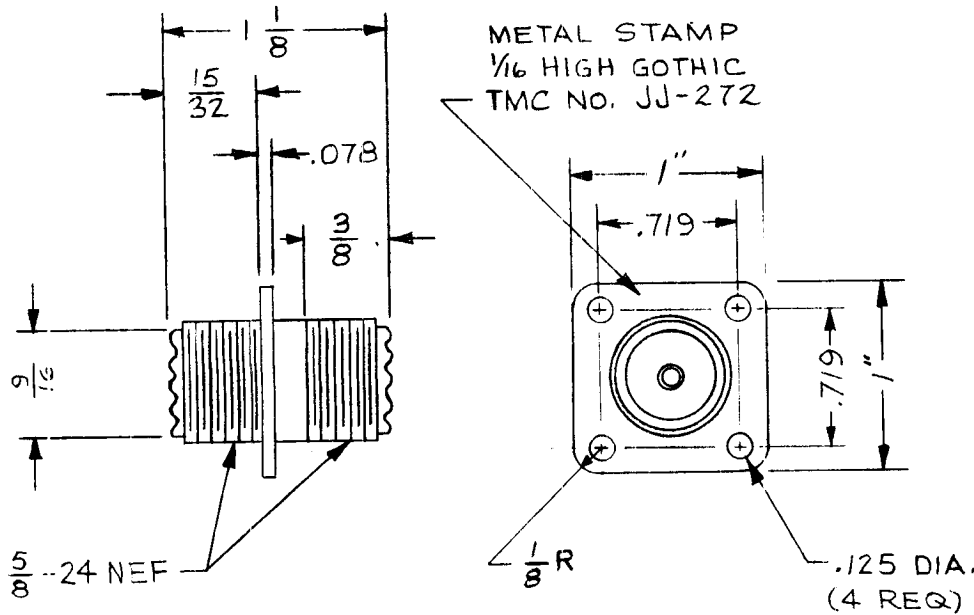
ASS'Y. NO.

DATE

JPP-7A7X11

10-30-62

JJ-272



SPECIFICATIONS:

Series - UHF
No. of Contacts - ONE (1)
Type of Contact - FEMALE
Dielectric - TEFLON

ELECTRICAL DATA:

Max. Peak Opr. Volt -
Freq. Limit -
Nominal Impedance -

MATING ACCOMMODATIONS:

Type - UHF (FEMALE)

MATERIAL:

External Parts - BRASS
Contact - BERYLLIUM COPPER
Gasket -

FINISH:

External Parts - SILVER PLATE & RHODIUM FINISH
Contact - SILVER PLATE & GOLD FLASH

REQ.	ITEM	PART NO.	MARTINEZ DESCRIPTION				SYMBOL
			THE TECHNICAL MATERIEL CORP. MAMARONECK, NEW YORK				
			STOCK SIZE				
			See Note				
			MATERIAL				
			CONNECTOR, RECEPTACLE UHF (F) TO UHF (F)				
					M. TANTILLO		
			TYPE & TEMPER	HEAT TREAT. SPEC.	DRAWN	CHECKED	FINAL APPROVAL
			See Note				
			FINISH & SPEC. NO.				
			ELEC. DES. APP. MECH. DES. APP.				
			S401-70 (94-1)				JJ-272