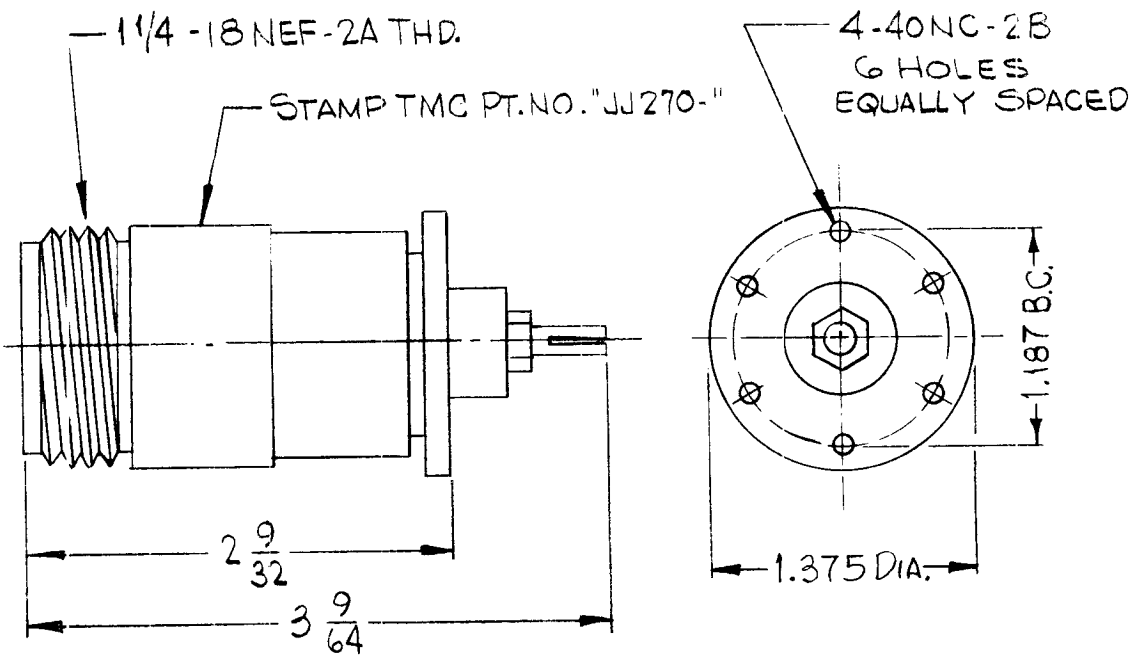


| | | | |
|---------------|---------|-----------|--------|
| REQ. PER UNIT | USED ON | | |
| | MODEL | ASSY. NO. | DATE |
| | | | JJ 270 |



SPECIFICATIONS

SERIES : LT
 NO. OF CONTACTS : ONE (1)
 TYPE OF CONTACT : FEMALE
 DIELECTRIC : TEFLON

ELECTRICAL DATA :
 MAX. PEAK OPR. VOLTAGE : 5,000 V
 FREQ. LIMIT : 1000 MHZ
 NOMINAL IMPEDANCE : 50 OHMS

MATERIAL : 1,000 MHZ
 EXTERNAL PARTS : BRASS
 CONTACTS : BERYLLIUM COPPER

FINISH :
 EXTERNAL PARTS : SILVER PLATE & RHODIUM FLASH
 CONTACTS : SILVER PLATE & GOLD FLASH

MATING ACCOMODATIONS :
 TYPE : TCA-85/LT ONLY

| | | | | | | | REQ. ITEM | PART NO. | MARTINENGO | DESCRIPTION | SYMBOL | | | |
|---|----------------------|---------|---------|--------|---------|-----------|-----------|------------|--|-------------------|-----------------|-----------------|----------------|---|
| ✓ | ORIGINAL RELEASE | 1/14/67 | | | | | | | THE TECHNICAL MATERIEL CORP. MAMARONECK. NEW YORK | | | | | |
| X ₁ | ELECT. DATA: UPDATED | 9-20-67 | | ENJ | | | | STOCK SIZE | RECEPTACLE, CONNECTOR | | | | | |
| X | EXP. RELEASE | 2-20-67 | | WFW | | | | SEE SPECS. | TCA-85/LT | | | | | |
| SYM | DESCRIPTION | DATE | CH. NO. | DRAFTS | CHECKER | ENG. APP. | | MATERIAL | | | | | | |
| UNLESS OTHERWISE SPECIFIED DIMENSIONS ARE IN INCHES AND INCLUDE CHEMICALLY APPLIED OR PLATED FINISHES | | | | | | | SCALE | | | 3-22-66 | H. AUSTIN | SG | SPM 12/1/67 | |
| | | | | | | | | | TYPE & TEMPER | HEAT TREAT. SPEC. | DRAWN | CHECKED | FINAL APPROVAL | |
| | | | | | | | | | SEE SPECS. | | | | JJ 270 | φ |
| | | | | | | | | | FINISH & SPEC. NO. | | ELEC. DES. APP. | MECH. DES. APP. | | |