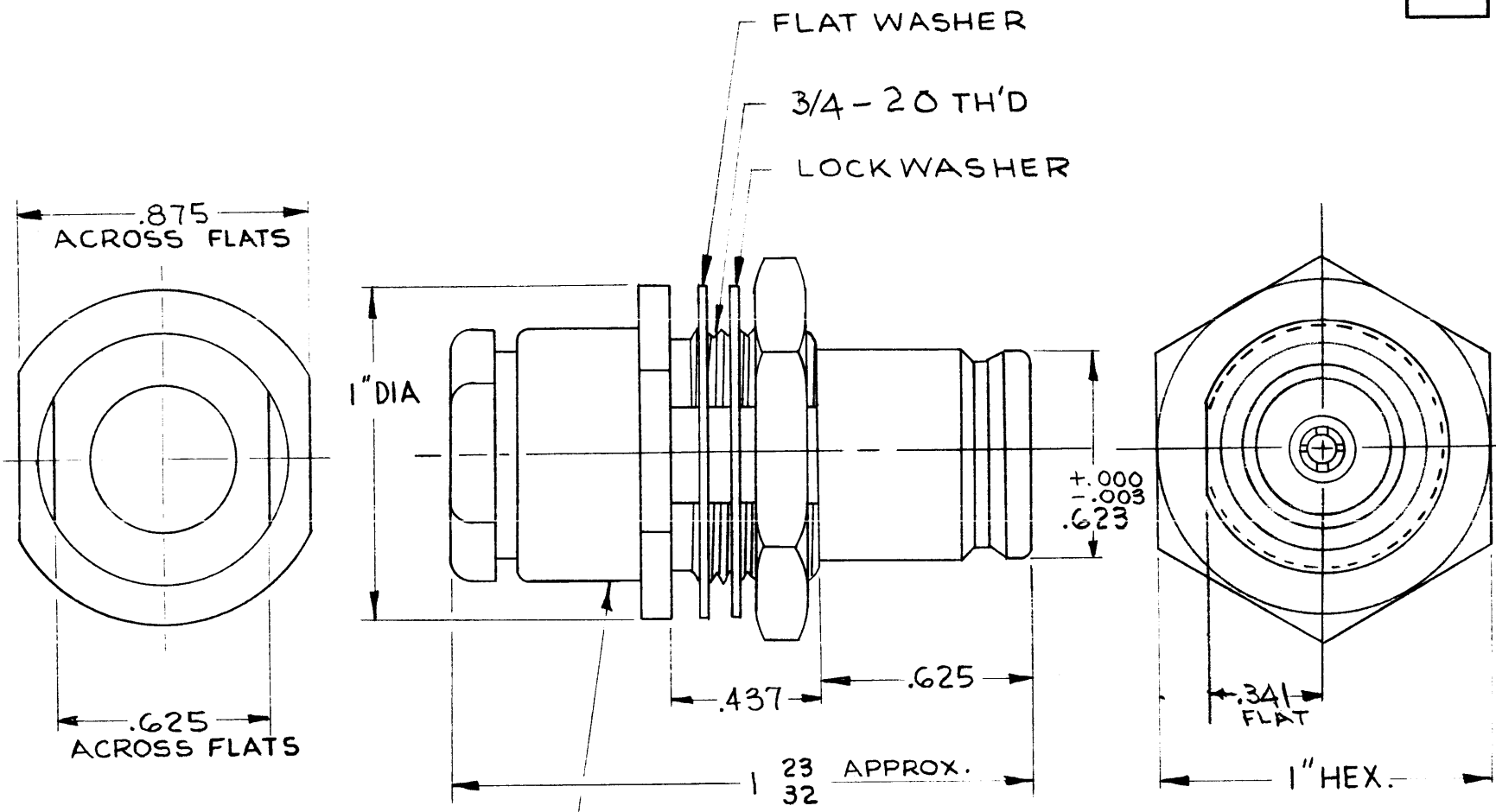


JJ-266

REVISIONS

SYM	DESCRIPTION	DATE	E.M.N. NO.	DRAFT	CHKD	APPD
-----	-------------	------	------------	-------	------	------



SPECIFICATIONS

Series - QDS
 No. of Contacts - One (1)
 Type of Contact - Female
 Dielectric - Teflon

ELECTRICAL DATA

Max. Peak Opr. Volt - 500 V.
 Frequency Limit - 10,000 MC.
 Impedance - 50 Ohms

CABLE ACCOMMODATIONS

RG-8, 9, 213, 214, 216/U

MATERIAL

External Parts - Brass
 Contact - Beryllium Copper
 Lockwasher - Phosphor Bronze
 Gasket - Silicone Rubber

FINISH

External Parts - Silver Plate and Rhodium Flash
 Contact - Silver Plate and Gold Flash

METAL STAMP TMC PART NO. JJ-266 1/8 HIGH GOTHIC

NOTES

Q'TY./UNIT	MODEL USED ON	ASS'Y. NO.
SCALE 2X1	CODE	S401-70 (2939)

THE CONTENTS OF THIS DRAWING ARE THE EXCLUSIVE PROPERTY OF THE TECHNICAL MATERIEL CORP. ITS UNAUTHORIZED USE OR REPRODUCTION IN WHOLE OR IN PART IS STRICTLY FORBIDDEN.

REQ'D.	ITEM	PART NUMBER	DESCRIPTION	SYMBOL
LIST OF MATERIAL				
MATERIAL		THE TECHNICAL MATERIEL CORP. MAMARONECK, NEW YORK		
FINISH		CONNECTOR, RECEPTACLE QDS TO CABLE		
UNLESS OTHERWISE SPECIFIED DIMENSIONS ARE IN INCHES AND INCLUDE CHEMICALLY APPLIED OR PLATED FINISHES		DRAWN <i>DRM</i>	DATE 4-17-63	FINAL APPROVAL <i>BP</i>
		CHECKED <i>HQ</i>	DATE 4-17-63	
		ELECT. DES.	DATE	JJ-266
		MECH. DES. <i>DRM</i>	DATE 4/17/63	
				REV. LTR.