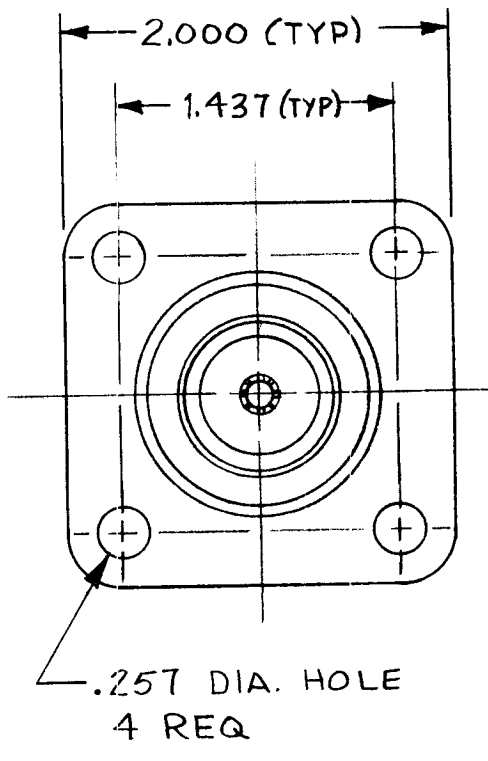
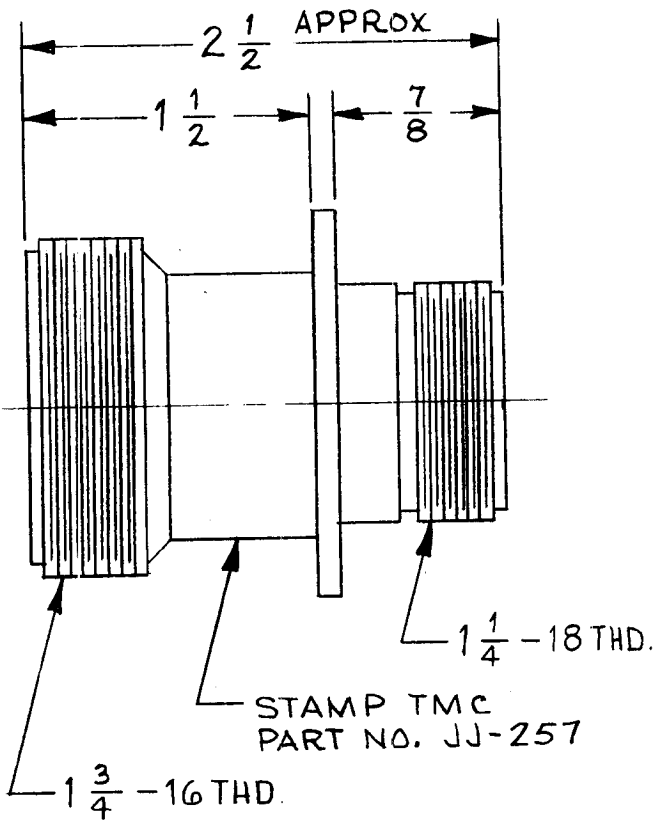


REQ. PER UNIT	USED ON			JJ-257	Ø
	MODEL	ASS'Y. NO.	DATE		



SPECIFICATIONS:
 Series - LC
 No. of Contacts - ONE (1)
 Type of Contact - FEMALE
 Dielectric - TEFLON

ELECTRICAL DATA:
 Max. Peak Opr. Volt -
 Freq. Limit -
 Nominal Impedance -

CABLE ACCOMMODATIONS:
 Type - NONE

MATING ACCOMMODATIONS:
 Type - LC (L)

MATERIAL:
 External Parts -
 Contact -
 Gasket -

FINISH:
 External Parts -
 Contact -

PANEL:
 Max. Thickness 3/16

SYM	DESCRIPTION	DATE	CH. NO.	DRAFTS	CHECKER	ENG. APP.	REQ. ITEM	PART NO.	MARTINENG0	DESCRIPTION	SYMBOL
										THE TECHNICAL MATERIEL CORP. MAMARONECK, NEW YORK	
										CONNECTOR, ADAPTER	
										LC TO LC(L)	
										M. TANTILLO 10-3-63	
										DRAWN	CHECKED
										FINAL APPROVAL	
											JJ-257
										ELEC. DES. APP.	MECH. DES. APP.
										FINISH & SPEC. NO.	
										S401-70-2681	