

THE CONTENTS OF THIS DRAWING ARE THE EXCLUSIVE PROPERTY OF THE TECHNICAL MATERIEL CORP. ITS UNAUTHORIZED USE FOR REPRODUCTION IN WHOLE OR IN PART IS STRICTLY FORBIDDEN.

REQ. PER UNIT

2

MODEL

SW-309

USED ON

ASS'Y. NO.

DATE

1-17-63

JJ-254

A

SPECIFICATIONS:

Series - N
 No. of Contacts - ONE
 Type of Contact - FEMALE
 Dielectric - TEFLON

ELECTRICAL DATA:

Max. Peak Opr. Volt - 1500 VOLTS
 Freq. Limit - 10,000 MCS
 Nominal Impedance - 50 OHMS

CABLE ACCOMMODATIONS:

Type - NONE

MATING ACCOMMODATIONS:

Type - N

MATERIAL:

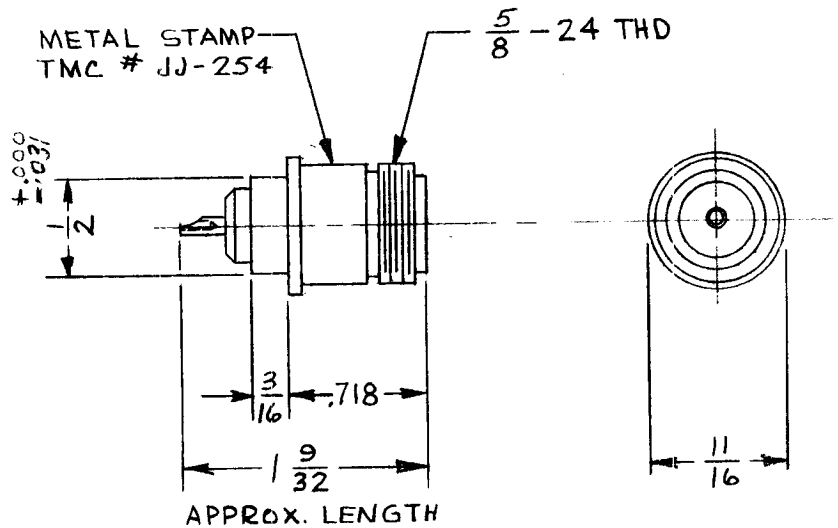
External Parts - BRASS
 Contact - BERYLLIUM COPPER
 Gasket - NONE

FINISH:

External Parts - SILVER PLATE,
 RHODIUM FLASH
 Contact - SILVER PLATE,
 GOLD FLASH

PANEL:

Max. Thickness - NONE



							REQ. ITEM	PART NO.	MARTINENGO DESCRIPTION	SYMBOL	
									THE TECHNICAL MATERIEL CORP. MAMARONECK. NEW YORK		
							STOCK SIZE		CONNECTOR RECEPTACLE		
							SEE NOTES		N TO SOLDER CUP (SPECIAL)		
							MATERIAL		TANTILLO		
							TYPE & TEMPER		DRAWN	CHECKED	FINAL APPROVAL
							HEAT TREAT. SPEC.				
							SEE NOTES				JJ-254
							FINISH & SPEC. NO.		ELEC. DES. APP.	MECH. DES. APP.	A
							SCALE				
							UNLESS OTHERWISE SPECIFIED DIMENSIONS ARE IN INCHES AND INCLUDE CHEMICALLY APPLIED OR PLATED FINISHES				
							CODE		S 401-70-2698		
							TOLERANCES				
							DECIMALS				
							FRACTIONS				
							ANGLES				
							± 0° 30'				