

THE CONTENTS OF THIS DRAWING ARE THE EXCLUSIVE PROPERTY OF THE TECHNICAL MATERIEL CORP. ITS UNAUTHORIZED USE OR REPRODUCTION IN WHOLE OR IN PART IS STRICTLY FORBIDDEN.

REQ. PER UNIT

USED ON

MODEL

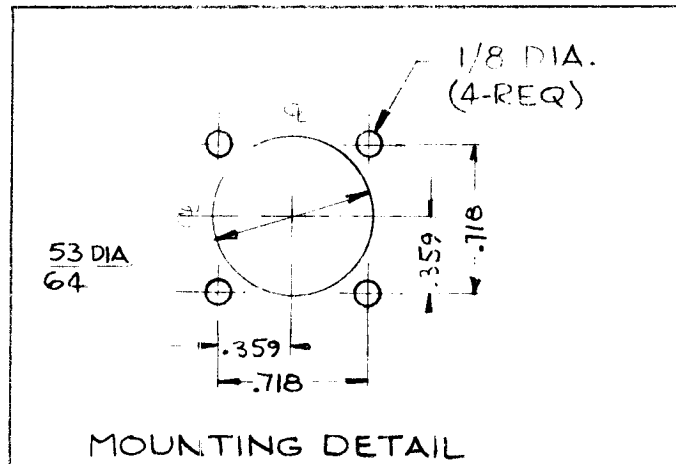
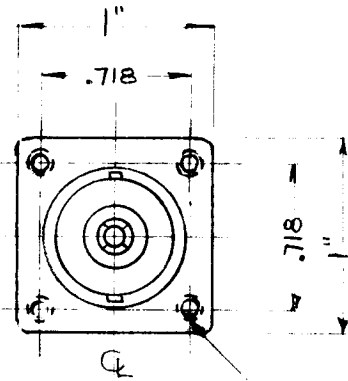
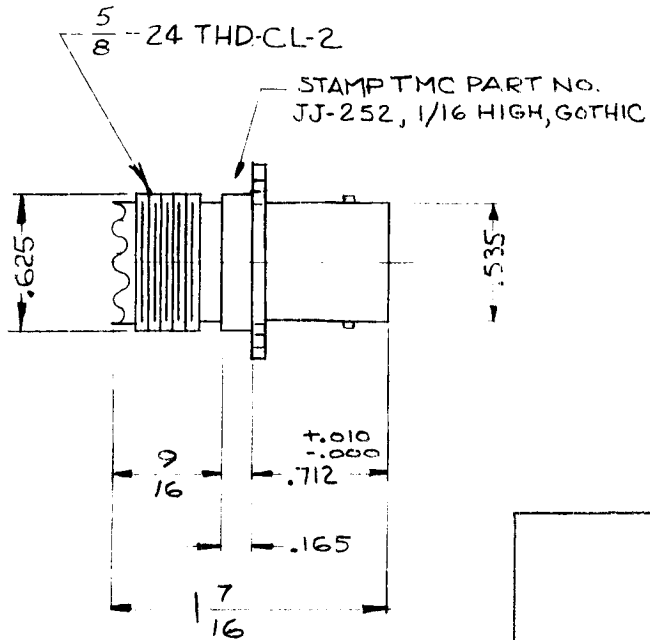
ASS'Y. NO.

DATE

5-31-62

JJ-252

A



SPECIFICATIONS:

Series - C
 No. of Contacts - One (Each End)
 Type of Contact - Female
 Dielectric - Teflon

ELECTRICAL DATA:

Max. Peak Opr. Volt -
 Freq. Limit -
 Nominal Impedance -

MATING ACCOMMODATIONS:

Type - UHF

MATERIAL:

External Parts - Brass
 Contact - Beryllium Copper
 Gasket - None

FINISH:

External Parts - Silver Plate and Rhodium Flash
 Contact - Silver Plate, Gold Flash

REQ.	ITEM	PART NO.	DESCRIPTION				SYMBOL	
			THE TECHNICAL MATERIEL CORP. MAMARONECK, NEW YORK					
			ADAPTOR, CONNECTOR					
			SERIES "UHF" TO "C"					
A	.625 WAS .812 4-40 HOLE WAS 1/8 MTG DETAIL ISOLATE	4-12-66 16085	UFW	QC/S	MAF	SEE NOTE		
SYM	DESCRIPTION	DATE	CH. NO.	DRAFTS	CHECKER	ENG. APP.		
UNLESS OTHERWISE SPECIFIED: DIMENSIONS ARE IN INCHES TOLERANCES ON FRAC. ± 1/64 DEC. ± .005 ANGLES ± 1/2°		SCALE: 5401-70 (2409)		MAXIMUM ALLOWABLE TOLERANCES HAVE BEEN DETERMINED AND ANY DEVIATIONS WILL BE CAUSE FOR REJECTION. REMOVE ALL BURRS AND SHARP EDGES				
				TYPE & TEMPER		HEATTREAT. SPEC.		
				FINISH & SPEC. NO.				
				DRAWN		CHECKED	FINAL APPROVAL	
				G.P.S.				
				SEE NOTE				
				ELEC. DES. APP.		MECH. DES. APP.		
				JJ-252			A	