

THE CONTENTS OF THIS DRAWING ARE THE EXCLUSIVE PROPERTY OF THE TECHNICAL MATERIEL CORP. ITS UNAUTHORIZED USE OR REPRODUCTION IN WHOLE OR IN PART IS STRICTLY FORBIDDEN.

REQ. PER UNIT

MODEL

USED ON

ASS'Y. NO.

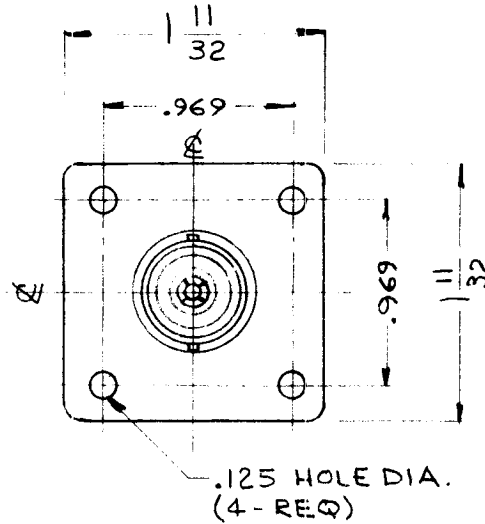
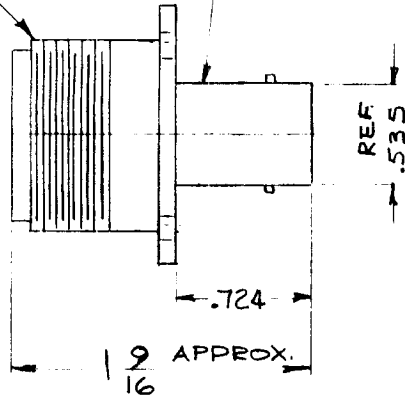
DATE

5-31-62

JJ-251

1"-20 THD
CL-2

STAMP TMC
PART NO. JJ-251,
1/16 HIGH, GOTHIC



.125 HOLE DIA
(4-REQ)

41 DIA
64

MOUNTING DETAIL

SPECIFICATIONS:

Series - C
No. of Contacts - One (Each End)
Type of Contact - Female
Dielectric - Teflon

ELECTRICAL DATA:

Max. Peak Opr. Volt - 15,000 Volts
Freq. Limit - 10,000 MCs.
Nominal Impedance - 50 Ohms

MATING ACCOMMODATIONS:

Type - UHF (L)

MATERIAL:

External Parts - Brass
Contact - Beryllium Copper
Gasket - None

FINISH:

External Parts - Silver Plate and Rhodium Flash
Contact - Silver Plate, Gold Flash

REQ.	ITEM	PART NO.	DESCRIPTION	SYMBOL								
			THE TECHNICAL MATERIEL CORP. MAMARONECK, NEW YORK									
		SEE NOTE	ADAPTOR, CONNECTOR									
			SERIES "UHF" TO "C"									
SYM	DESCRIPTION	DATE	CH. NO.	DRAFTS	CHECKER	ENG. APP.	MATERIAL	TYPE & TEMPER	HEATTREAT. SPEC.	DRAWN	CHECKED	FINAL APPROVAL
	UNLESS OTHERWISE SPECIFIED: DIMENSIONS ARE IN INCHES TOLERANCES ON FRAC. ± 1/64 DEC. ± .005 ANGLES ± 1/2°						SCALE: 5401-70(2408)	SEE NOTE		G.S.	<i>[Signature]</i>	<i>[Signature]</i>
							MAXIMUM ALLOWABLE TOLERANCES HAVE BEEN DETERMINED AND ANY DEVIATIONS WILL BE CAUSE FOR REJECTION. REMOVE ALL BURRS AND SHARP EDGES	SEE NOTE			<i>[Signature]</i>	JJ-251