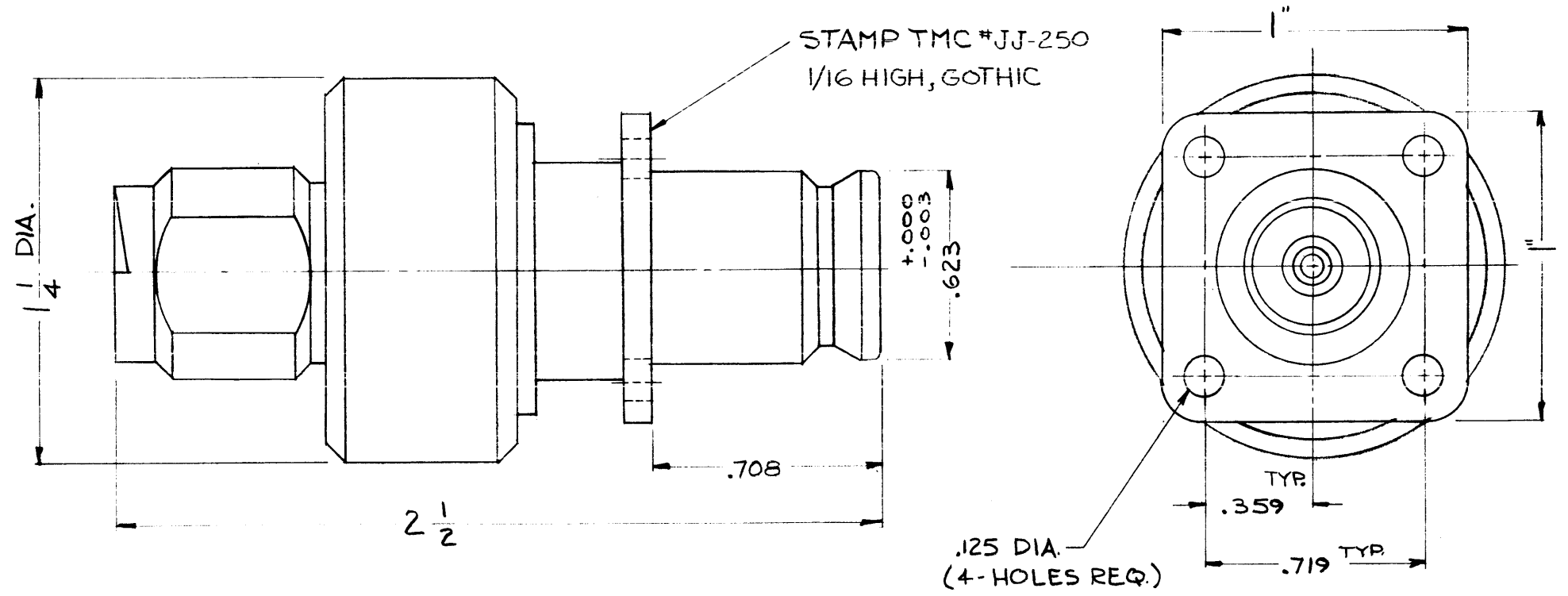


REVISIONS					
SYM	DESCRIPTION	DATE	E.M.N. NO.	DRAFT	CHKD APPD

JJ-250



SPECIFICATIONS
 SERIES ~ QDS
 NO. OF CONTACTS ~ ONE
 TYPE OF CONTACTS ~ FEMALE
 DIELECTRIC ~ TEFLON

ELECTRICAL DATA
 MAX. PEAK OPR. VOLT ~ 5000 V
 NOMINAL IMPEDANCE ~ 50 Ω

MATERIAL
 EXTERNAL PARTS ~ BRASS
 CONTACT ~ BERYLLIUM COPPER

FINISH
 EXTERNAL PARTS ~ SILVER PLATE & ROHDIUM FLASH
 CONTACTS ~ SILVER PLATE & ROHDIUM FLASH

MATING ACCOMODATIONS
 SERIES ~ QDS

Q'TY./UNIT	MODEL USED ON	ASS'Y. NO.
SCALE	CODE	5-29-62
	S-401-70-(2603)	

THE CONTENTS OF THIS DRAWING ARE THE EXCLUSIVE PROPERTY OF THE TECHNICAL MATERIEL CORP. ITS UNAUTHORIZED USE OR REPRODUCTION IN WHOLE OR IN PART IS STRICTLY FORBIDDEN.

REQ'D.	ITEM	PART NUMBER	DESCRIPTION	SYMBOL
PRITCHARD LIST OF MATERIAL				
MATERIAL		THE TECHNICAL MATERIEL CORP. MAMARONECK, NEW YORK		
FINISH		TITLE CONNECTOR, ADAPTER SERIES QDS		
UNLESS OTHERWISE SPECIFIED DIMENSIONS ARE IN INCHES AND INCLUDE CHEMICALLY APPLIED OR PLATED FINISHES		DRAWN F.S.	DATE 5-29-62	FINAL APPROVAL <i>[Signature]</i>
DECIMALS .X ± .05 .XX ± .01 .XXX ± .005		CHECKED <i>[Signature]</i>	DATE 5/29/62	DATE
FRACTIONS ± 1/64 ANGLES ± 0° 30'		ELECT. DES. <i>[Signature]</i>	DATE	JJ-250
TOLERANCES		MECH. DES. <i>[Signature]</i>	DATE 5/29/62	SHEET
				REV. LTR.

NOTES