

THE CONTENTS OF THIS DRAWING ARE THE EXCLUSIVE PROPERTY OF THE TECHNICAL MATERIEL CORP. ITS UNAUTHORIZED USE OR REPRODUCTION IN WHOLE OR IN PART IS STRICTLY FORBIDDEN.

REQ. PER UNIT

MODEL

USED ON

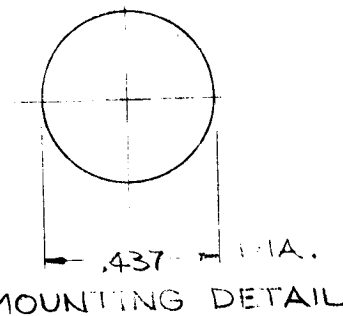
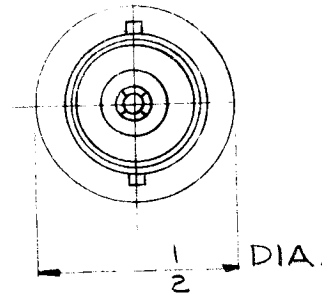
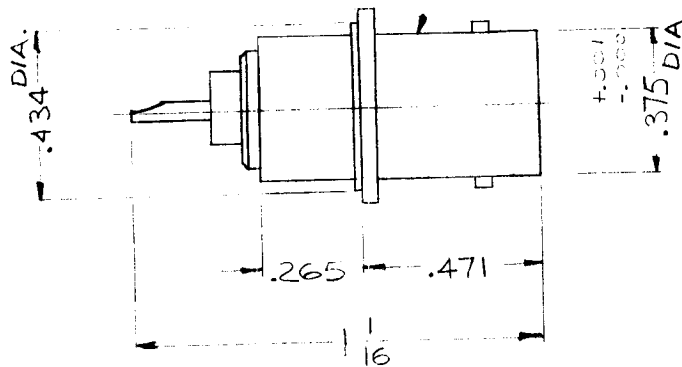
ASS'Y. NO.

DATE

5-29-62

JJ-249

STAMP TMC #JJ-249, 1/16 HIGH, GOTHIC



SPECIFICATIONS:

Series - B N C
 No. of Contacts - One(1)
 Type of Contact - Female
 Dielectric - Teflon

ELECTRICAL DATA:

Max. Peak Opr. Volt - 500 Volts
 Freq. Limit - 10,000 MCs.
 Nominal Impedance - 50 Ohms

MATING ACCOMMODATIONS:

Type - Adaptor; Solder

MATERIAL:

External Parts - Brass
 Contact - Beryllium Copper
 Gasket - None

FINISH:

External Parts - Silver Plate and Rhodium Flash
 Contact - Silver Plate, Gold Flash

							REQ.	ITEM	PART NO.	DESCRIPTION	SYMBOL	
										THE TECHNICAL MATERIEL CORP.		
										MAMARONECK, NEW YORK		
							STOCK SIZE			RECEPTACLE, ADAPTOR,		
							SEE NOTE			SOLDER TYPE (SERIES BNC)		
							MATERIAL					
SYM	DESCRIPTION	DATE	CH. NO.	DRAFTS	CHECKER	ENG. APP.				G.S.		
UNLESS OTHERWISE SPECIFIED:		SCALE: S401-70 (2605)								5-29-62	<i>[Signature]</i>	<i>[Signature]</i>
DIMENSIONS ARE IN INCHES		MAXIMUM ALLOWABLE TOLERANCES HAVE BEEN DETERMINED AND ANY DEVIATIONS WILL BE CAUSE FOR REJECTION.					TYPE & TEMPER	HEATTREAT. SPEC.			DRAWN	CHECKED
TOLERANCES ON		REMOVE ALL BURRS AND SHARP EDGES					SEE NOTE					
FRAC ± 1/64 DEC. ± .005 ANGLES ± 1/2°							FINISH & SPEC. NO.					FINAL APPROVAL
												JJ-249