

THE CONTENTS OF THIS DRAWING ARE THE EXCLUSIVE PROPERTY OF THE TECHNICAL MATERIEL CORP. ITS UNAUTHORIZED USE OR REPRCDUCTION IN WHOLE OR IN PART IS STRICTLY FORBIDDEN.

REQ. PER UNIT

MODEL

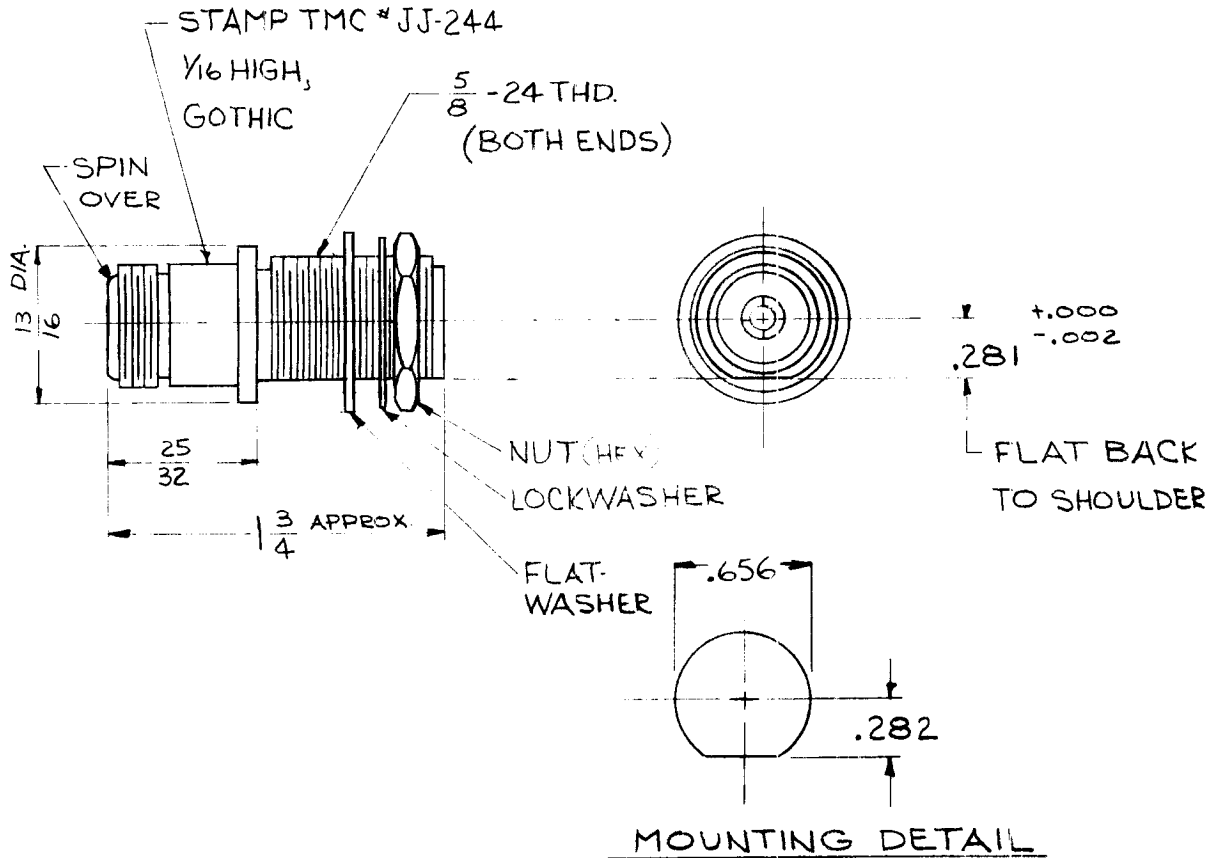
USED ON

ASS'Y. NO.

DATE

5-29-62

JJ-244



SPECIFICATIONS:

Series - "N"
 No. of Contacts - One (Each End)
 Type of Contact - Female
 Dielectric - Teflon

ELECTRICAL DATA:

Max. Peak Opr. Volt - 15,000 Volts
 Freq. Limit - 10,000 MCs.
 Nominal Impedance - 50 Ohms

MATING ACCOMMODATIONS:

Type - "N"

MATERIAL:

External Parts - Brass
 Contact - Beryllium Copper
 Gasket - None

FINISH:

External Parts - Silver Plate and Rhodium Flash
 Contact - Silver Plate, Gold Flash

SYM	DESCRIPTION	DATE	CH. NO.	DRAFTS	CHECKER	ENG. APP.	REQ.	ITEM	PART NO.	DESCRIPTION	SYMBOL	
										THE TECHNICAL MATERIEL CORP. MAMARONECK, NEW YORK CONNECTOR, RECEPTACLE SERIES "N"		
									STOCK SIZE			
									SEE NOTE			
									MATERIAL			
UNLESS OTHERWISE SPECIFIED:		SCALE: 5401-70 (2602)										
DIMENSIONS ARE IN INCHES		MAXIMUM ALLOWABLE TOLERANCES HAVE BEEN DETERMINED AND ANY DEVIATIONS WILL BE CAUSE FOR REJECTION.										
TOLERANCES ON		REMOVE ALL BURRS AND SHARP EDGES										
FRAC. ± 1/64 DEC. ± .005 ANGLES ± 1/2°												
										G.S. 5-29-62 [Signature]	[Signature]	
										DRAWN	CHECKED	
											FINAL APPROVAL	
										SEE NOTE	JJ-244	
										FINISH & SPEC. NO.	ELEC. DES. APP. MECH. DES. APP.	