

THE CONTENTS OF THIS DRAWING ARE THE EXCLUSIVE PROPERTY OF THE TECHNICAL MATERIEL CORP. ITS UNAUTHORIZED USE OR REPRODUCTION IN WHOLE OR IN PART IS STRICTLY FORBIDDEN.

REQ. PER UNIT

MODEL

USED ON

ASS'Y. NO.

DATE

12-20-61

JJ-236

~SPECIFICATIONS~

SERIES - QDS
 NO. OF CONTACTS - ONE
 TYPE OF CONTACTS - FEMALE
 DIELECTRIC - TEFLON

~ELECTRICAL DATA~

MAX. PEAK VOLTAGE - 5000V
 NOM. IMPEDANCE - 50 Ω

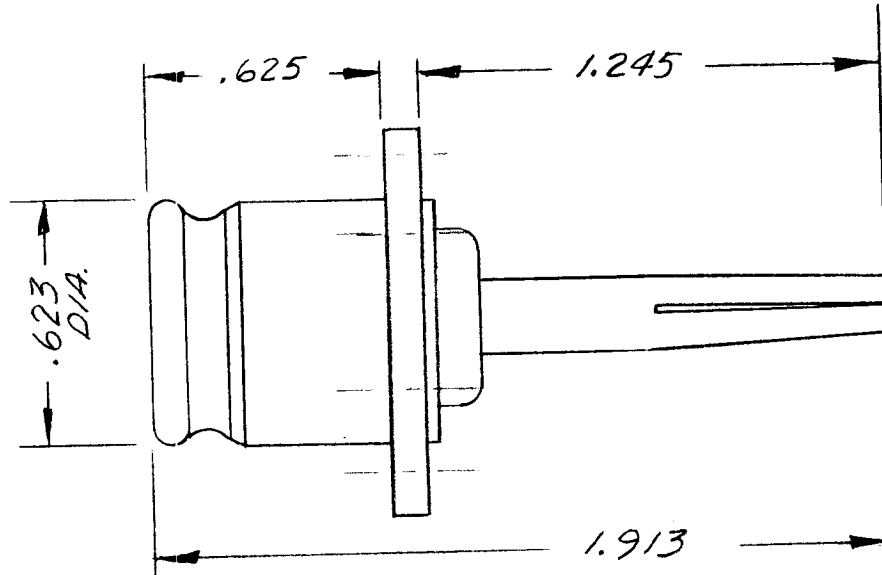
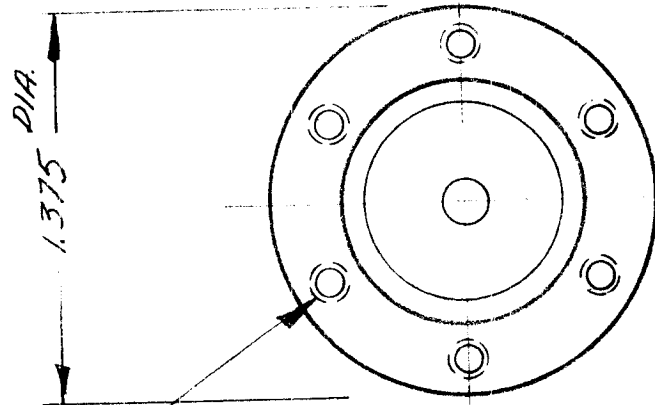
~MATING ACCOMODATIONS~
 TYPE - QDS

~MATERIAL~

EXT. PARTS - BRASS
 CONTACTS - BERYL-LIUM COPPER

~FINISH~

EXT. PARTS - SILVER PLATE
 CONTACTS - SILVER PLATE & GOLD FLASH



4-40 NC-2 TAP ON 1.187 DIA. BASE LINE, 60° APART (6 REQ)

							REQ.	ITEM	PART NO.	DESCRIPTION			SYMBOL		
										THE TECHNICAL MATERIEL CORP. MAMARONECK, NEW YORK					
										CONNECTOR, RECEPTACLE ELECTRICAL (QDS)					
										MATERIAL					
SYM	DESCRIPTION					DATE	CH. NO.	DRAFTS	CHECKER	ENG. APP.	TYPE & TEMPER	HEATTREAT. SPEC.	DRAWN	CHECKED	FINAL APPROVAL
UNLESS OTHERWISE SPECIFIED: DIMENSIONS ARE IN INCHES TOLERANCES ON FRAC. ± 1/64 DEC. ± .005 ANGLES ± 1/2°						SCALE: S-401-70-2425						wh	RUZZO	JIM	
MAXIMUM ALLOWABLE TOLERANCES HAVE BEEN DETERMINED AND ANY DEVIATIONS WILL BE CAUSE FOR REJECTION. REMOVE ALL BURRS AND SHARP EDGES															JJ-236
										FINISH & SPEC. NO.	ELEC. DES. APP.	MECH. DES. APP.			