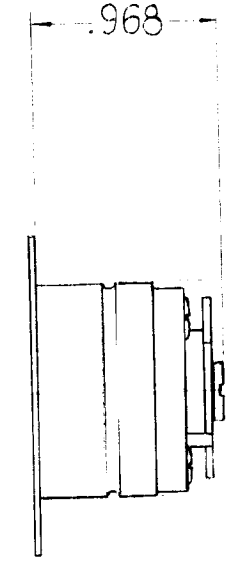
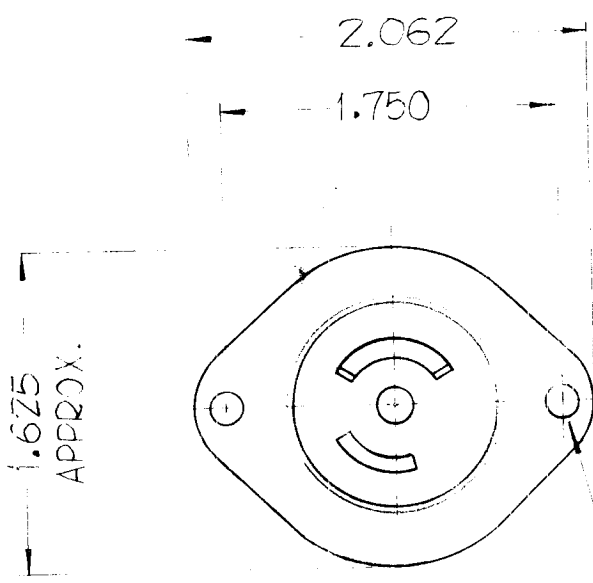


THE CONTENTS OF THIS DRAWING ARE THE EXCLUSIVE PROPERTY OF THE TECHNICAL MATERIEL CORP. ITS UNAUTHORIZED USE OR REPRODUCTION IN WHOLE OR IN PART IS STRICTLY FORBIDDEN.

REQ. PER UNIT	USED ON		
	MODEL	ASS'Y. NO.	DATE
3	HFP-1		12-11-61

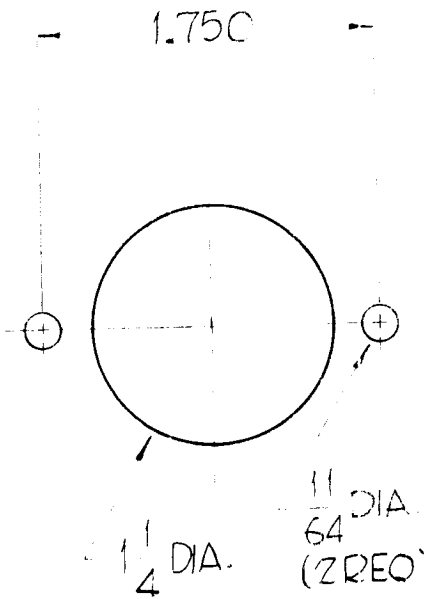
JJ-235



1.171 DIA.

MTG. HOLES .156 DIA. (2 REQ)

MTG. DETAIL



ELECTRICAL SPECIFICATIONS

10 AMPS, 250 VOLTS
15 AMPS, 125 VOLTS

							REQ.	ITEM	PART NO.	DESCRIPTION	SYMBOL	
										THE TECHNICAL MATERIEL CORP.		
										MAMARONECK, NEW YORK		
										PLUG, RECEPTACLE,		
										TWIST-LOCK (FEMALE)		
SYM	DESCRIPTION	DATE	CH. NO.	DRAFTS	CHECKER	ENG. APP.	MATERIAL		John C. Biele	<i>[Signature]</i>	<i>[Signature]</i>	
UNLESS OTHERWISE SPECIFIED:		SCALE: 5/401-43 (743)					TYPE & TEMPER		HEAT TREAT. SPEC.	DRAWN	CHECKED	FINAL APPROVAL
DIMENSIONS ARE IN INCHES		MAXIMUM ALLOWABLE TOLERANCES HAVE BEEN DETERMINED AND ANY DEVIATIONS WILL BE CAUSE FOR REJECTION. REMOVE ALL BURRS AND SHARP EDGES								<i>RK</i>		JJ-235
TOLERANCES ON							FINISH & SPEC. NO.		ELEC. DES. APP.	MECH. DES. APP.		
FRAC. ± 1/64 DEC. ± .005 ANGLES ± 1/2°												