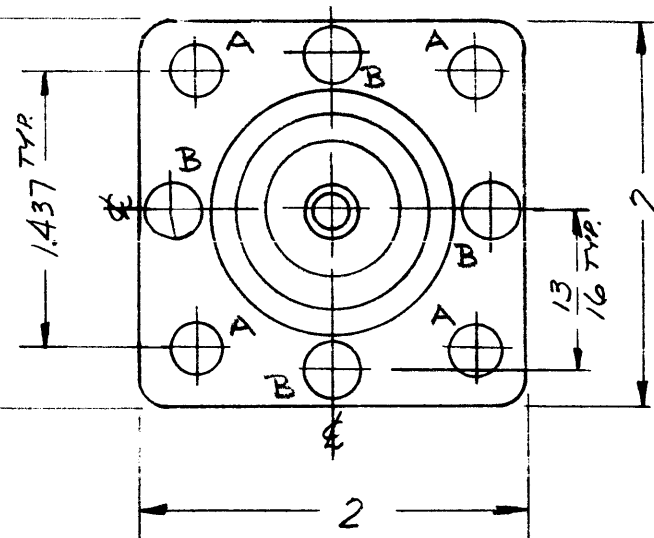
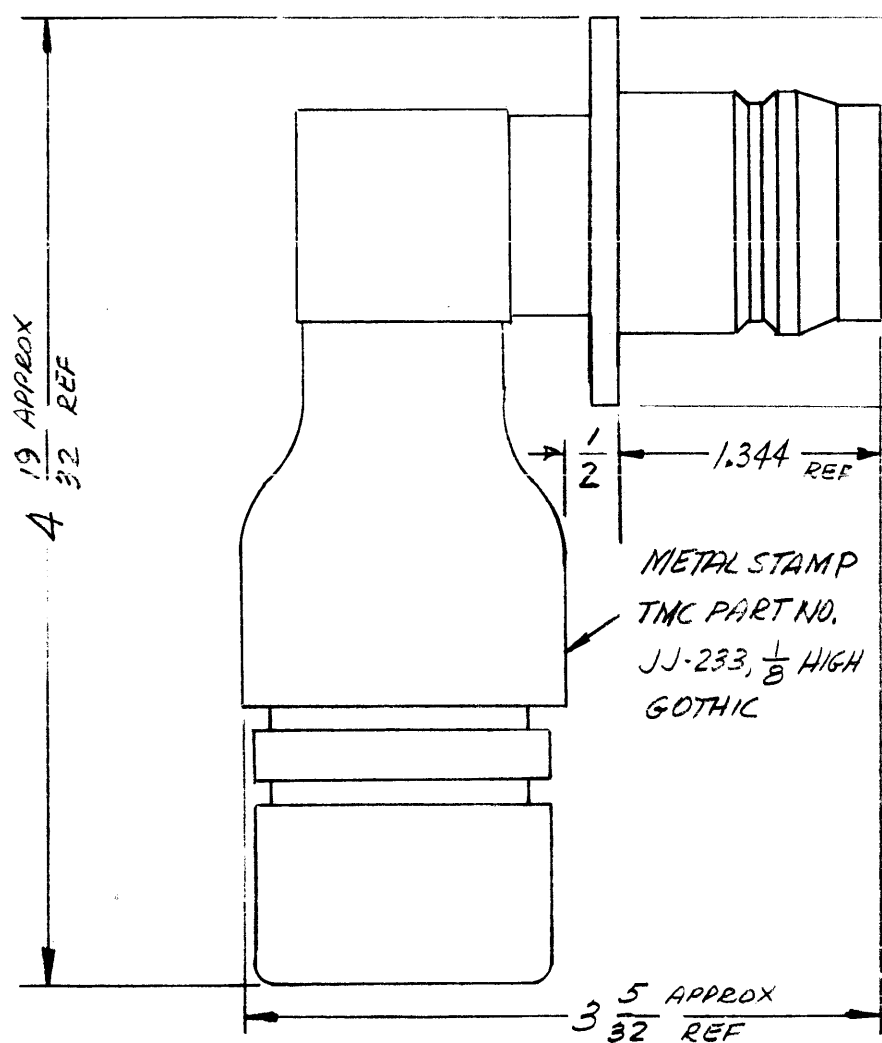


JJ-233

SPECIFICATIONS
 SERIES - QDL
 NO. OF CONTACTS - ONE (1)
 TYPE OF CONTACTS - FEMALE
 DIELECTRIC - TEFLON
 ELECTRICAL DATA
 MAX. PEAK VOLTAGE - 10KV
 FREQUENCY LIMIT - 1,000 MCS
 NOM. IMPEDANCE - 50Ω

MATERIAL
 EXTERNAL PARTS - BRASS
 CONTACTS - BERYLLIUM COPPER
 FINISH
 EXTERNAL PARTS - SILVER PLATE &
 RHODIUM FLASH
 CONTACTS - SILVER PLATE &
 GOLD FLASH



A - .257 DIA 4 REQ.
 B - 9/32 DIA 4 REQ.

NOTICE TO PERSONS RECEIVING THIS DRAWING

THE TECHNICAL MATERIEL CORPORATION claims proprietary right in the material disclosed hereon. This drawing is issued in confidence for engineering information only and may not be reproduced or used to manufacture anything shown hereon without permission from THE TECHNICAL MATERIEL CORPORATION to the user. This drawing is loaned for mutual assistance and is subject to recall at any time.

Property of:
 THE TECHNICAL MATERIEL CORPORATION
 MAMARONECK, NEW YORK

SYM	DESCRIPTION	DATE	CH. NO.	DRAFTS	CHECKER	ENG. APP.

UNLESS OTHERWISE SPECIFIED:
 DIMENSIONS ARE IN INCHES
 TOLERANCES ON FRACTIONS $\pm 1/64$ DECIMALS $\pm .005$ ANGLES $\pm 1/20$

SCALE: S401-70-(2355)
 MAXIMUM ALLOWABLE TOLERANCES HAVE BEEN DETERMINED AND ANY DEVIATIONS WILL BE CAUSE FOR REJECTION. REMOVE ALL BURRS AND SHARP EDGES

REQ.	ITEM	PART NO.	DESCRIPTION	SYMBOL
			THE TECHNICAL MATERIEL CORP. MAMARONECK, NEW YORK	
			STOCK SIZE	
			ADAPTER, CONNECTOR	
			MATERIAL	
			RECEPTACLE, QDL	
			AB	
			JWC	
			STP	
			11-18-61	
			TYPE & TEMPER	
			HEAT TREAT. SPEC.	
			DRAWN	
			CHECKER	
			FINAL APPROVAL	
			FINISH & SPEC. NO.	
			ELEC. DES. APP.	
			MECH. DES. APP.	
			JJ-233	