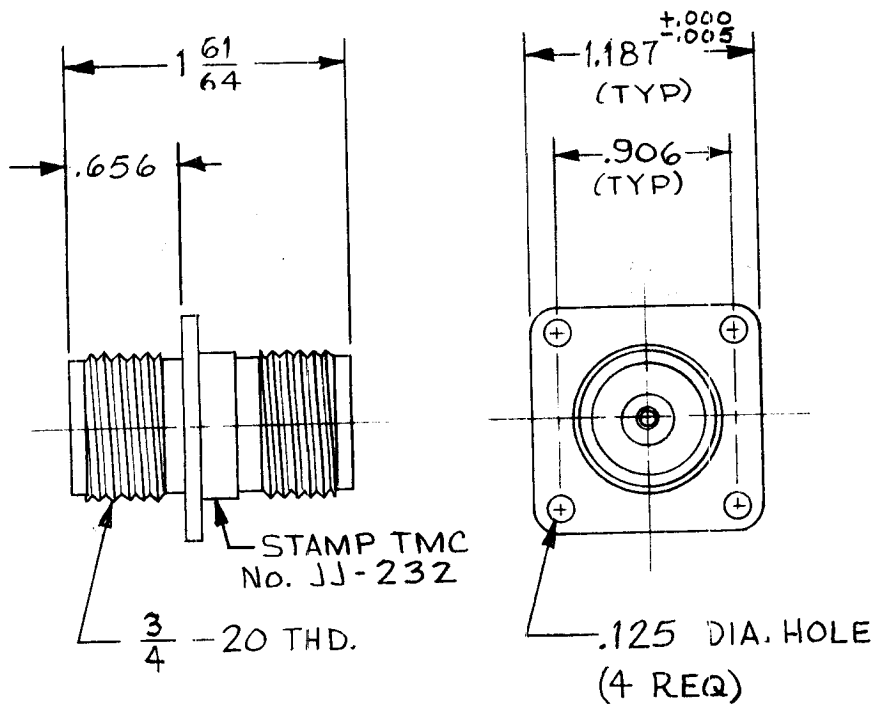


REQ. PER UNIT	USED ON			JJ-232
	MODEL	ASS'Y. NO.	DATE	



SPECIFICATIONS:
 Series - HN
 No. of Contacts - ONE (1)
 Type of Contact - FEMALE
 Dielectric - TEFLON

ELECTRICAL DATA:
 Max. Peak Opr. Volt - 5000 V
 Freq. Limit -
 Nominal Impedance - 50 Ω

CABLE ACCOMMODATIONS:
 Type - NONE

MATING ACCOMMODATIONS:
 Type - HN

MATERIAL:
 External Parts - BRASS
 Contact - BERYLLIUM COPPER
 Gasket - NONE

FINISH:
 External Parts - RHODIUM
 Contact - GOLD

PANEL:
 Max. Thickness - 3/16"

REQ.	ITEM	PART NO.	MARTINENGO DESCRIPTION		SYMBOL							
			THE TECHNICAL MATERIEL CORP. MAMARONECK. NEW YORK									
			CONNECTOR, RECEPTACLE									
			HN (F) TO HN (F)									
SYM	DESCRIPTION	DATE	CH. NO.	DRAFTS	CHECKER	ENG. APP.	MATERIAL	M. TANTILLO 9-24-63	9/24/63	BP	FINAL APPROVAL	
UNLESS OTHERWISE SPECIFIED DIMENSIONS ARE IN INCHES AND INCLUDE CHEMICALLY APPLIED OR PLATED FINISHES		SCALE						TYPE & TEMPER	HEAT TREAT. SPEC.	DRAWN	CHECKED	
DECIMALS .X ± .05 .XX ± .01 .XXX ± .005	TOLERANCES	FRACTIONS ± 1/64 ANGLES ± 0° 30'	CODE	S401-70-2697		FINISH & SPEC. NO.		ELEC. DES. APP.	MECH. DES. APP.	JJ-232		