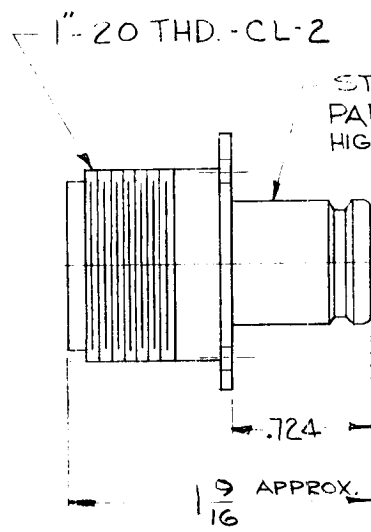


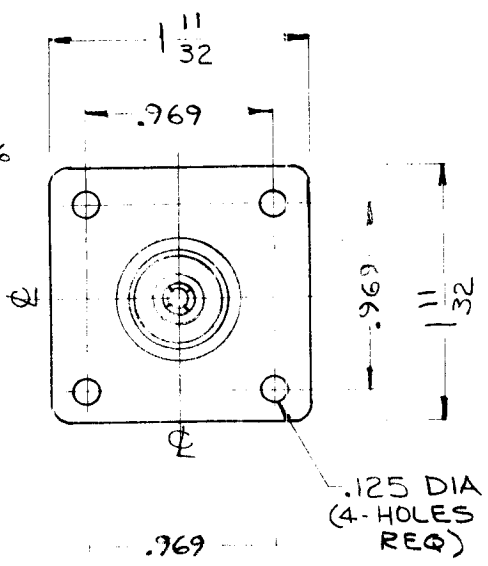
THE CONTENTS OF THIS DRAWING ARE THE EXCLUSIVE PROPERTY OF THE TECHNICAL MATERIEL CORP. ITS UNAUTHORIZED USE OR REPRODUCTION IN WHOLE OR IN PART IS STRICTLY FORBIDDEN.

REQ. PER UNIT	USED ON	
	MODEL	ASS'Y. NO.
		DATE
		5-31-62

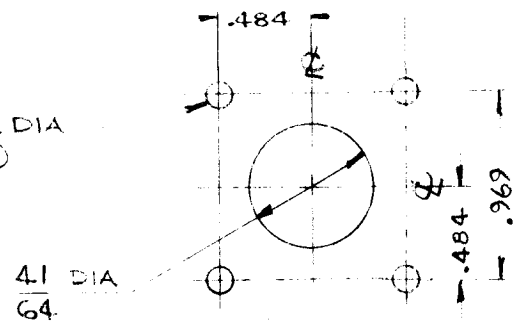
JJ-230



STAMP TMC
PART NO. JJ-230, 1/16
HIGH, GOTHIC



.125 HOLE DIA
(4-REQ)



MOUNTING DETAIL

SPECIFICATIONS:

Series - QDS
No. of Contacts - One (1)
Type of Contact - Female
Dielectric - Teflon

ELECTRICAL DATA:

Max. Peak Opr. Volt - 1000 Volts
Freq. Limit - 10,000 Mcs.
Nominal Impedance - 50 Ohms

MATING ACCOMMODATIONS:

Type - UHF (L)

MATERIAL:

External Parts - Brass
Contact - Beryllium Copper
Gasket - None

FINISH:

External Parts - Silver Plate and Rhodium Flash
Contact - Silver Plate, Gold Flash

REF: TRU-

REQ.	ITEM	PART NO.	DESCRIPTION	SYMBOL									
			THE TECHNICAL MATERIEL CORP. MAMARONECK, NEW YORK										
			ADAPTOR, CONNECTOR										
			SERIES 'UHF' TO 'QDS'										
SYM	DESCRIPTION	DATE	CH. NO.	DRAFTS	CHECKER	ENG. APP.	MATERIAL						
UNLESS OTHERWISE SPECIFIED: DIMENSIONS ARE IN INCHES TOLERANCES ON FRAC. ± 1/64 DEC. ± .005 ANGLES ± 1/2°		SCALE: 5-401-70 (2350)											
		MAXIMUM ALLOWABLE TOLERANCES HAVE BEEN DETERMINED AND ANY DEVIATIONS WILL BE CAUSE FOR REJECTION. REMOVE ALL BURRS AND SHARP EDGES											
								TYPE & TEMPER	HEATTREAT.SPEC.	DRAWN	CHECKED	FINAL APPROVAL	
								SEE NOTE					
								FINISH & SPEC. NO.		ELEC. DES. APP.	MECH. DES. APP.	JJ-230	