

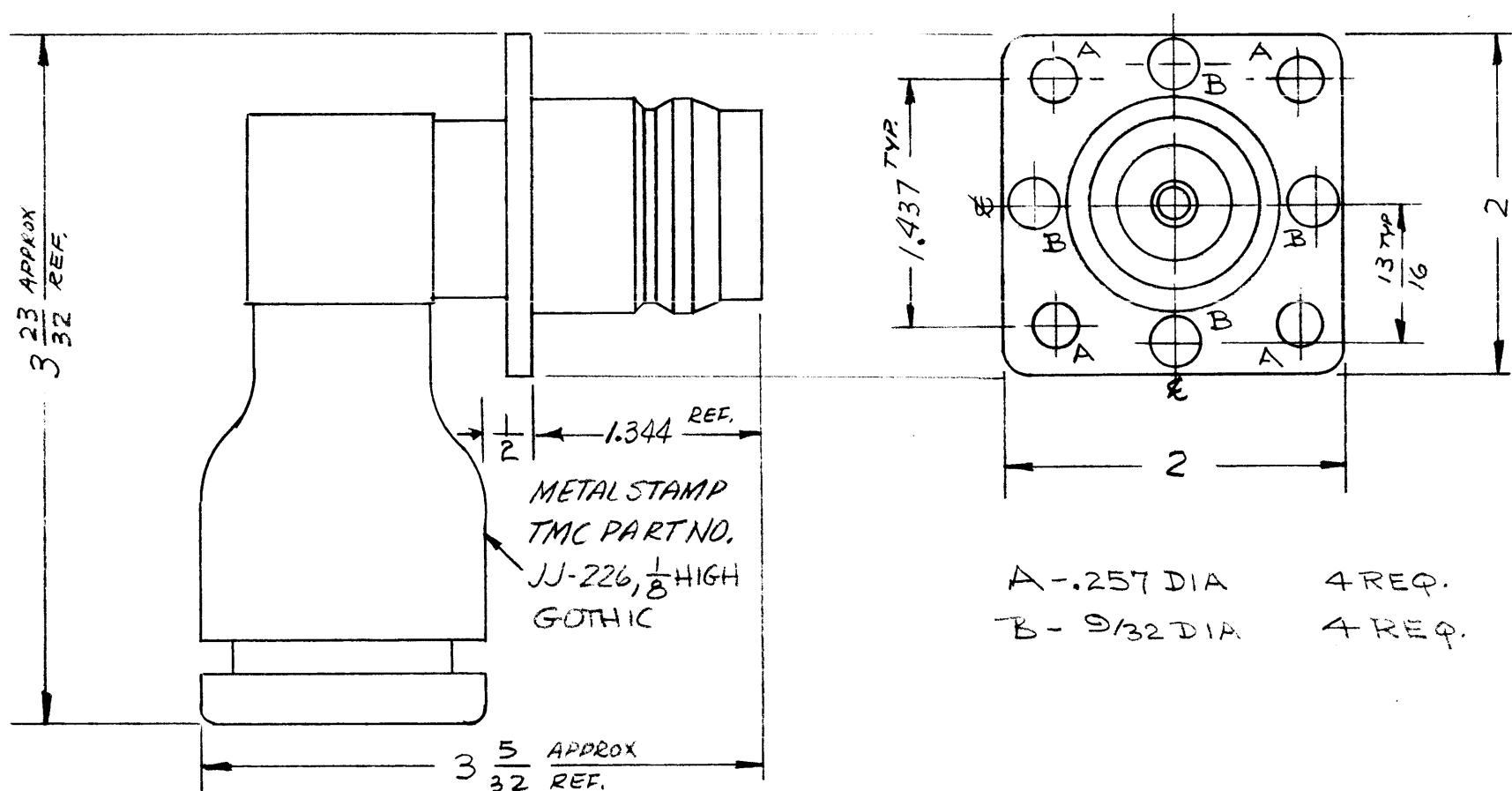
JJ-226

SPECIFICATIONS

SERIES - QDL
 NO. OF CONTACTS - ONE (1)
 TYPE OF CONTACTS - FEMALE
 DIELECTRIC - TEFLON
ELECTRICAL DATA
 MAX. PEAK VOLTAGE - 10 KV
 FREQUENCY LIMIT - 1000 MCS
 NOM. IMPEDANCE - 50Ω

MATERIAL

EXTERNAL PARTS - BRASS
 CONTACT - BERYLLIUM COPPER
FINISH
 EXTERNAL PARTS - SILVER PLATE &
 RHODIUM FLASH
 CONTACT - SILVER PLATE &
 GOLD FLASH



A - .257 DIA 4 REQ.
 B - 9/32 DIA 4 REQ.

NOTICE TO PURCHASER CONCERNING THIS DRAWING

THE TECHNICAL MATERIEL CORPORATION claims proprietary right in the matter disclosed hereon. This drawing is issued in confidence for engineering information only and may not be reproduced or used to manufacture anything shown hereon without permission from THE TECHNICAL MATERIEL CORPORATION to the user. This drawing is loaned for mutual assistance and is subject to recall at any time.

Property of:
 THE TECHNICAL MATERIEL CORPORATION
 MAMARONECK, NEW YORK

SYM	DESCRIPTION	DATE	CH. NO.	DRAFTS	CHECKER	ENG. APP.

UNLESS OTHERWISE SPECIFIED:
 DIMENSIONS ARE IN INCHES
 TOLERANCES ON FRACTIONS ± 1/64 DECIMALS ± .05 ANGLES ± 1/2°

SCALE: S 401-70 (2351)
 MAXIMUM ALLOWABLE TOLERANCES HAVE BEEN DETERMINED AND ANY DEVIATIONS WILL BE CAUSE FOR REJECTION.
 REMOVE ALL BURRS AND SHARP EDGES

REQ. PER UNIT	MODEL	SECTION	ASS'Y. NO.	DATE
				11-18-61
USED ON				

REQ.	ITEM	PART NO.	DESCRIPTION	SYMBOL
			THE TECHNICAL MATERIEL CORP. MAMARONECK, NEW YORK	
			ADAPTER, CONNECTOR RECEPTACLE, QDL.	
			ab	
			DRAWN	CHECKER
				FINAL APPROVAL
				JJ-226
			ELEC. DES. APP.	MECH. DES. APP.