

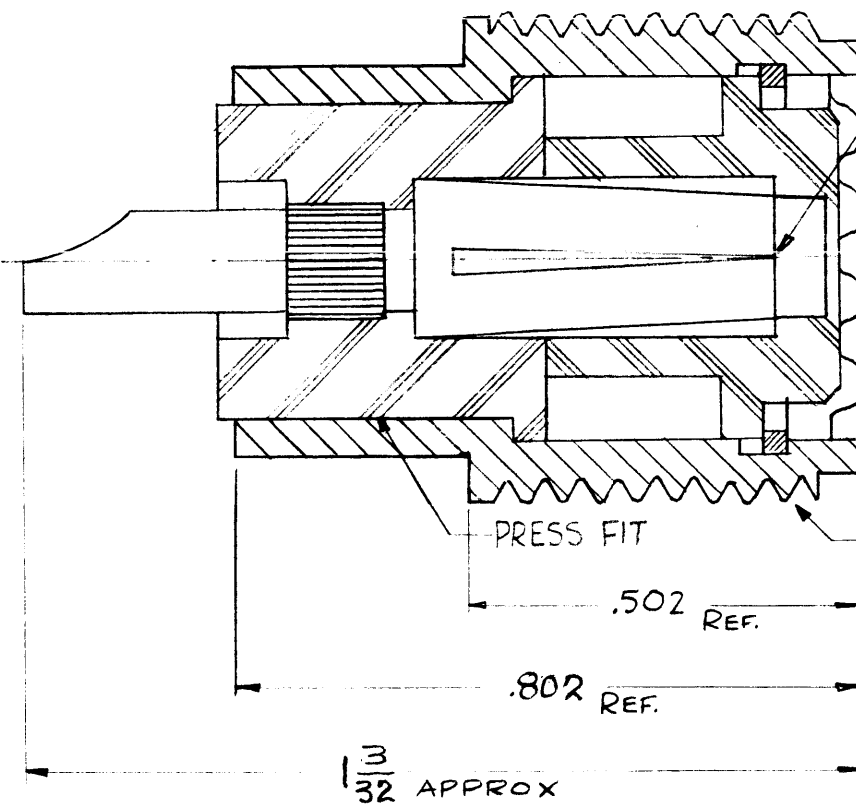
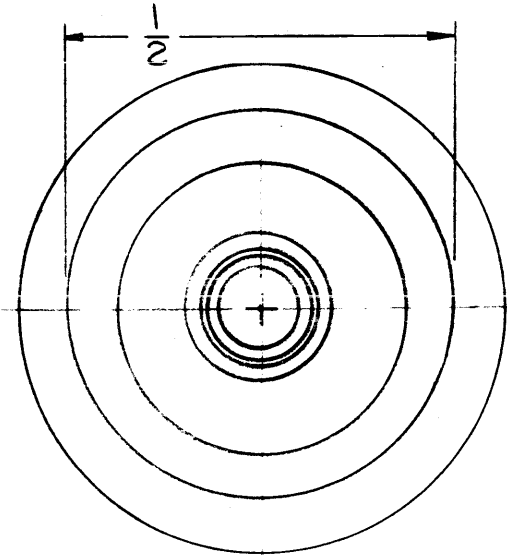
JJ-218
A

MATERIAL

EXTERNAL PARTS ~ BRASS MACHINED
CONTACT ~ BERYLLIUM COPPER
INSULATION ~ TEFLON

FINISH

EXT. PARTS ~ COPPER PLATE, .0001 THK.
PLUS SILVER PLATE, .0002 THK.
PLUS RHODIUM FLASH, .00005 THK.
CONTACT ~ GOLD PLATE, .0001 THK.



CLOSE CONTACT MEMBERS UNIFORMLY
AT ASS'Y. TO MAKE GOOD CONTACT
WITH A .150 MAX. DIA. PIN.

PRESS FIT
.502 REF.
.802 REF.

5/8 -24 THD. REF.

1 3/32 APPROX

NOTE ~ CONNECTOR SHALL PASS HIGH
POTENTIAL TEST OF 1500V. RMS.

NOTICE TO PERSONS RECEIVING THIS DRAWING

THE TECHNICAL MATERIEL CORPORATION claims
proprietary right in the material disclosed hereon.
This drawing is issued in confidence for engineering
information only and may not be reproduced or used
to manufacture anything shown hereon without per-
mission from THE TECHNICAL MATERIEL CORPORA-
TION to the user. This drawing is loaned for mutual
assistance and is subject to recall at any time.

Property of:
THE TECHNICAL MATERIEL CORPORATION
MAMARONECK, NEW YORK

A	1/2 DIM. WAS .470; S-401-70-2429 WAS 6804-1 HEX NUT & LOCKWASHER DELETED	5-22-62	6733	EE		
SYM	DESCRIPTION	DATE	CH. NO.	DRAFTS	CHECKER	ENG. APP.
UNLESS OTHERWISE SPECIFIED: DIMENSIONS ARE IN INCHES TOLERANCES ON FRACTIONS ± 1/64 DECIMALS ± .005 ANGLES ± 1/2°		SCALE: S-401-70-2429				
MAXIMUM ALLOWABLE TOLERANCES HAVE BEEN DETERMINED AND ANY DEVIATIONS WILL BE CAUSE FOR REJECTION. REMOVE ALL BURRS AND SHARP EDGES						

REQ. PER UNIT	MODEL	SECTION	ASS'Y. NO.	DATE
				5-30-61
USED ON				

REQ. ITEM	PART NO.	DESCRIPTION	SYMBOL
STOCK SIZE		THE TECHNICAL MATERIEL CORP. MAMARONECK, NEW YORK	
		RECEPTACLE, BULKHEAD, UHF Series	
MATERIAL			
TYPE & TEMPER	HEAT TREAT. SPEC.	DRAWN	CHECKER
FINISH & SPEC. NO.		ELEC. DES. APP.	MECH. DES. APP.
			JJ-218
			A