

REQ. PER UNIT	USED ON			JJ-214
	MODEL	ASS'Y. NO.	DATE	
	SW-206		6-29-61	

MATERIAL :

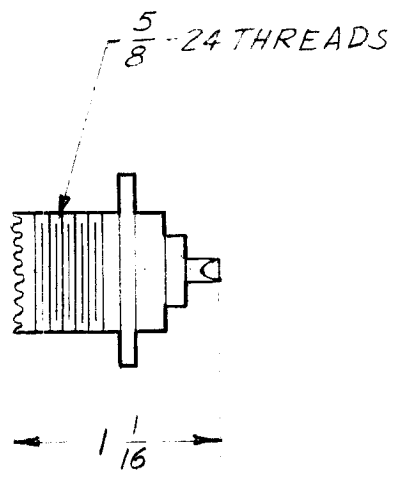
EXTERNAL PARTS : BRASS MACHINED
 CONTACTS : BERYLLIUM COPPER
 INSULATION : TEFLON

FINISH :

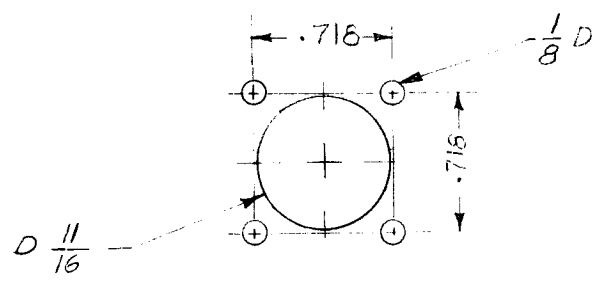
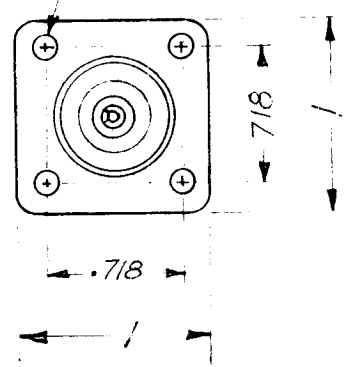
EXTERNAL PARTS:
 COPPER PLATE .0001TK
 PLUS SILVER PLATE .0002TK
 PLUS RHODIUM FLASH .00005 TK

CONTACTS :

GOLD PLATE .0001TK



1/8 D 4 HOLES



MOUNTING DETAIL

NOTE :

THIS RECEPTACLE IS A REPLACEMENT FOR 50-239 AND 50-239A WHERE PRODUCT QUALITY AS SHOWN HERE ON IS REQUIRED

MATING PLUG: PL-259

								REQ.	ITEM	PART NO.	DESCRIPTION			SYMBOL				
											THE TECHNICAL MATERIEL CORP.							
								STOCK SIZE			MAMARONECK, NEW YORK							
											CONNECTOR, RECEPTACLE							
								MATERIAL			SERIES UHF							
ISSUE	ITEM	CHANGED FROM	DATE	CH. NO.	DRAFTS	CHECKER	ENG. APP.			<i>de Lucco</i>	<i>Amey</i>	<i>Amey</i>						
TOLERANCES			SCALE: S-401-70-2400							DRAWN	CHECKED	FINAL APPROVAL						
DEC. DIM. ±			MAXIMUM ALLOWABLE TOLERANCES HAVE BEEN DETERMINED AND ANY DEVIATIONS WILL BE CAUSE FOR REJECTION. REMOVE ALL BURRS AND SHARP EDGES					TYPE & TEMPER		HEATTREAT. SPEC.			JJ-214					
FRAC. DIM. ±																		
ANGULAR DIM. ±												FINISH & SPEC. NO.		ELEC. DES. APP	MECH. DES. APP			