

JJ-211

SPECIFICATIONS

SERIES ~ MINIATURE (BAYONET LOCKING TYPE)

NO OF CONTACTS ~ ONE (1)

TYPE OF CONTACT ~ MALE

DIELECTRIC ~ TEFLON

ELECTRICAL DATA

MAX. PEAK VOLT. ~ 1500V RMS (For One Min.)

OPER. VOLT. ~ 500V RMS

NOM. IMPEDANCE ~ 48Ω

USABLE FREQ. RANGE ~ 1 TO 500 MC (For A VSWR Not exceeding 1.25)

MATERIAL & FINISH

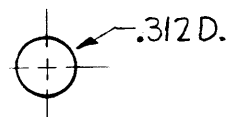
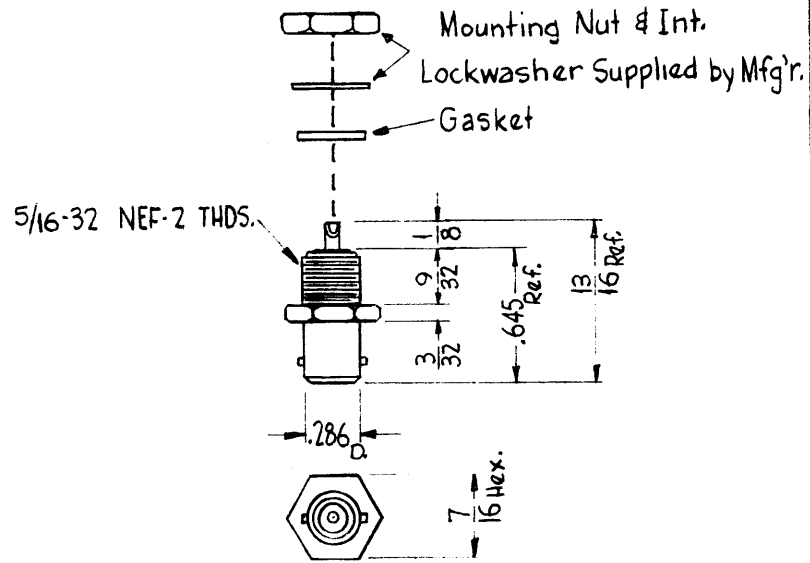
BODY ~ BRASS ; SILVER PLATE

NUT ~ " " " "

LOCKWASHER ~ PHOS BRONZE ; " "

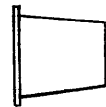
CONTACT ~ BRASS ; " "

GASKET ~ BUNA N 40 DUROMETER (BLACK)



MOUNTING HOLE

NOTE ~ Connector Mounts on Max. Panel Thk., of 1/8"



PLASTIC DUST CAP (SUPPLIED) BY MFR.

NOTICE TO PERSONS RECEIVING THIS DRAWING

THE TECHNICAL MATERIEL CORPORATION claims proprietary right in the material disclosed hereon. This drawing is issued in confidence for engineering information only and may not be reproduced or used to manufacture anything shown hereon without permission from THE TECHNICAL MATERIEL CORPORATION to the user. This drawing is loaned for mutual assistance and is subject to recall at any time.

Property of:

THE TECHNICAL MATERIEL CORPORATION
MAMARONECK, NEW YORK

SYM	DESCRIPTION	DATE	CH. NO.	DRAFTS	CHECKER	ENG. APP.
	UNLESS OTHERWISE SPECIFIED:					
	DIMENSIONS ARE IN INCHES					
	TOLERANCES ON FRACTIONS ± 1/64 DECIMALS ± .005 ANGLES ± 1/2°					
	REMOVE ALL BURRS AND SHARP EDGES					

3	CHG-2/IF			6-9-61
7	CHG-2/OSC			6-9-61
2	CHG-2/DIV			6-9-61
REQ. PER UNIT	MODEL	SECTION	ASS'Y. NO.	DATE
USED ON				

REQ. ITEM	PART NO.	DESCRIPTION	SYMBOL
THE TECHNICAL MATERIEL CORP. MAMARONECK, NEW YORK			
STOCK SIZE			
CONNECTOR, RECEPTACLE, MINIATURE, MALE			
MATERIAL			
		DRAWN	CHECKER
		FINAL APPROVAL	
		JJ-211	
		ELEC. DES. APP.	MECH. DES. APP.