

THE CONTENTS OF THIS DRAWING ARE THE EXCLUSIVE PROPERTY OF THE TECHNICAL MATERIEL CORP. ITS UNAUTHORIZED USE OR REPRODUCTION IN WHOLE OR IN PART IS STRICTLY FORBIDDEN.

REQ. PER UNIT

USED ON

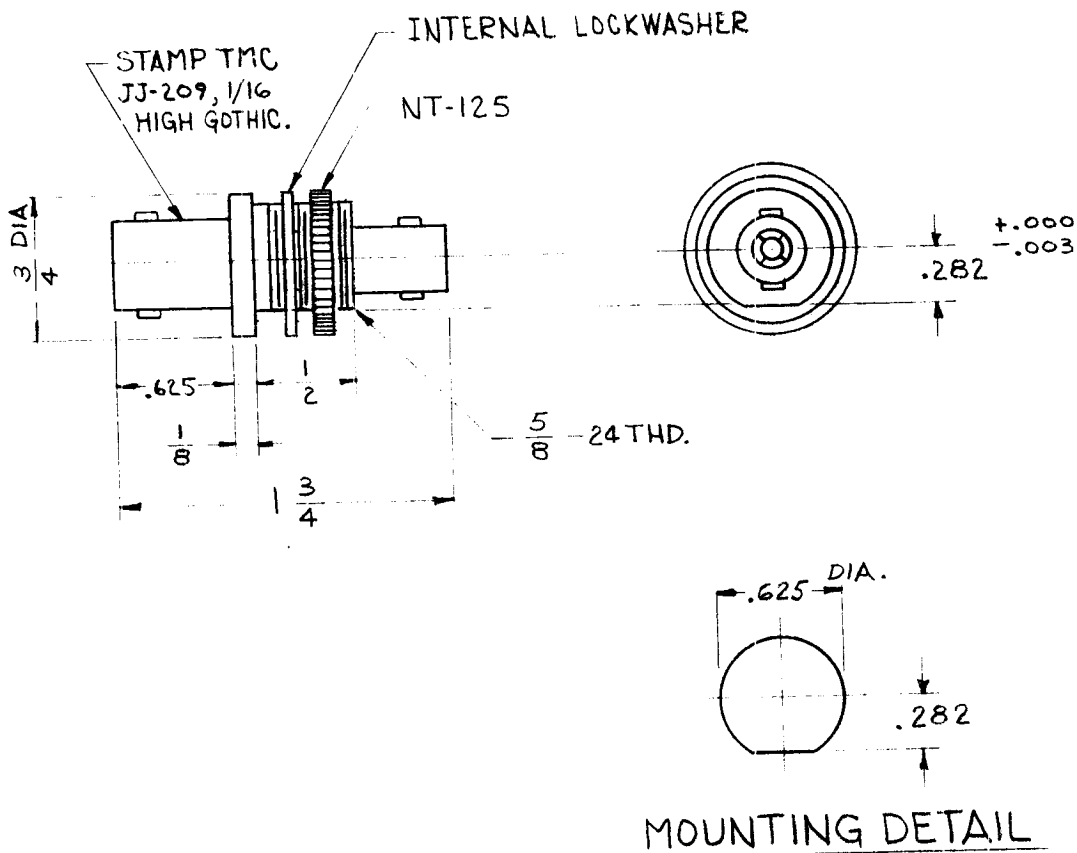
MODEL

ASS'Y. NO.

DATE

9-6-62

JJ-209



SPECIFICATIONS:

Series - BNC
 No. of Contacts - One (1)
 Type of Contact - Female
 Dielectric - Teflon

ELECTRICAL DATA:

Max. Peak Opr. Volt -
 Freq. Limit -
 Nominal Impedance -

MATING ACCOMMODATIONS:

Type -

MATERIAL:

External Parts - Brass
 Contact - Beryllium Copper
 Gasket - None

FINISH:

External Parts - Silver Plate and Rhodium Flash
 Contact - Silver Plate and Gold Flash

SYM	DESCRIPTION	DATE	CH. NO.	DRAFTS	CHECKER	ENG. APP.	REQ. ITEM	PART NO.	A. MARTINENGO DESCRIPTION	SYMBOL	
									THE TECHNICAL MATERIEL CORP. MAMARONECK, NEW YORK		
								STOCK SIZE	RECEPTACLE, CONNECTOR		
								MATERIAL	"C" TO "BNC" SERIES		
								TYPE & TEMPER	HEATTREAT. SPEC.		
								FINISH & SPEC. NO.	ELEC. DES. APP.		
									MECH. DES. APP.		
UNLESS OTHERWISE SPECIFIED: DIMENSIONS ARE IN INCHES TOLERANCES ON FRAC. ± 1/64 DEC. ± .005 ANGLES ± 1/2°		SCALE: 5401-70-2274					MAXIMUM ALLOWABLE TOLERANCES HAVE BEEN DETERMINED AND ANY DEVIATIONS WILL BE CAUSE FOR REJECTION. REMOVE ALL BURRS AND SHARP EDGES		9-6-62	10/3/62	JJ-209