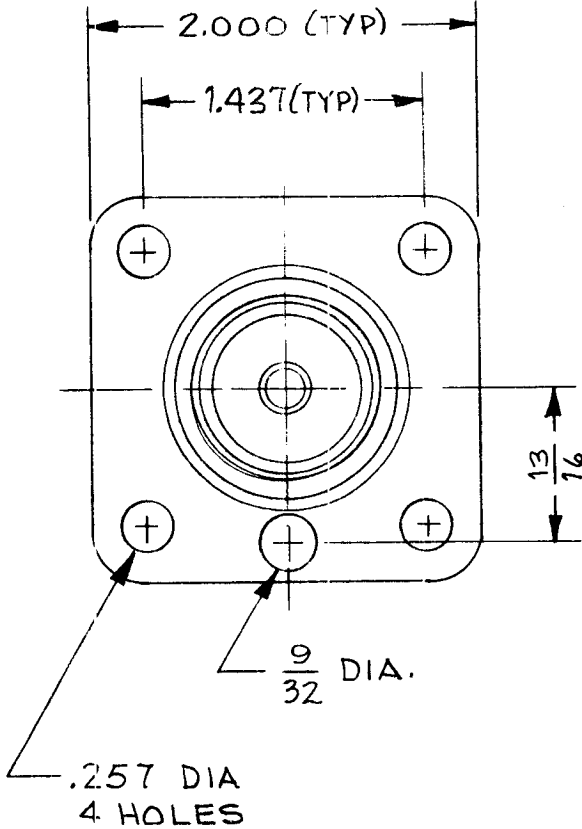
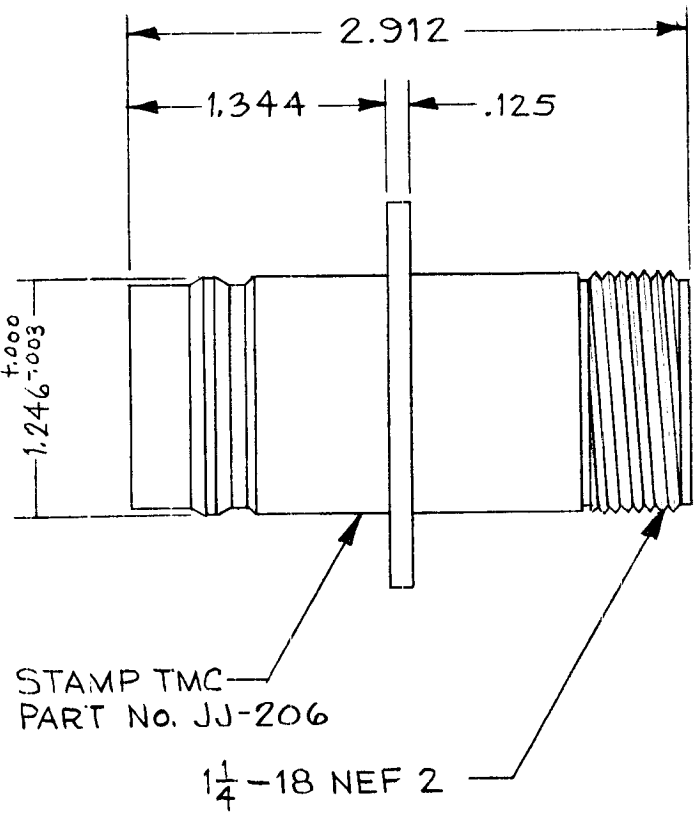


REQ. PER UNIT	USED ON			JJ-206
	MODEL	ASS'Y. NO.	DATE	



**SPECIFICATIONS:**  
 Series - QDL  
 No. of Contacts - ONE (1)  
 Type of Contact - FEMALE  
 Dielectric - TEFLON

**ELECTRICAL DATA:**  
 Max. Peak Opr. Volt - 10,000V  
 Freq. Limit - 1000 MCS  
 Nominal Impedance - 50 OHMS

**CABLE ACCOMMODATIONS:**  
 Type - NONE

**MATING ACCOMMODATIONS:**  
 Type - LC

**MATERIAL:**  
 External Parts - BRASS  
 Contact - BERYLLIUM COPPER  
 Gasket - NONE

**FINISH:**  
 External Parts - RHODIUM  
 Contact GOLD

**PANEL:**  
 Max. Thickness 3/16

SYM	DESCRIPTION	DATE	CH. NO.	DRAFTS	CHECKER	ENG. APP.	REQ. ITEM	PART NO.	MARTINENGO DESCRIPTION	SYMBOL
									THE TECHNICAL MATERIEL CORP. MAMARONECK. NEW YORK	
								STOCK SIZE	CONNECTOR, RECEPTALE	
								MATERIAL	QDL TO LC/10KV SERIES	
									M TANTILLO 9-19-63	
								TYPE & TEMPER	CHECKED	BP
								HEAT TREAT. SPEC.		
									DRAWN	
									MECH. DES. APP.	
								FINISH & SPEC. NO.	ELEC. DES. APP.	JJ-206