

REQ. PER UNIT

USED ON

MODEL

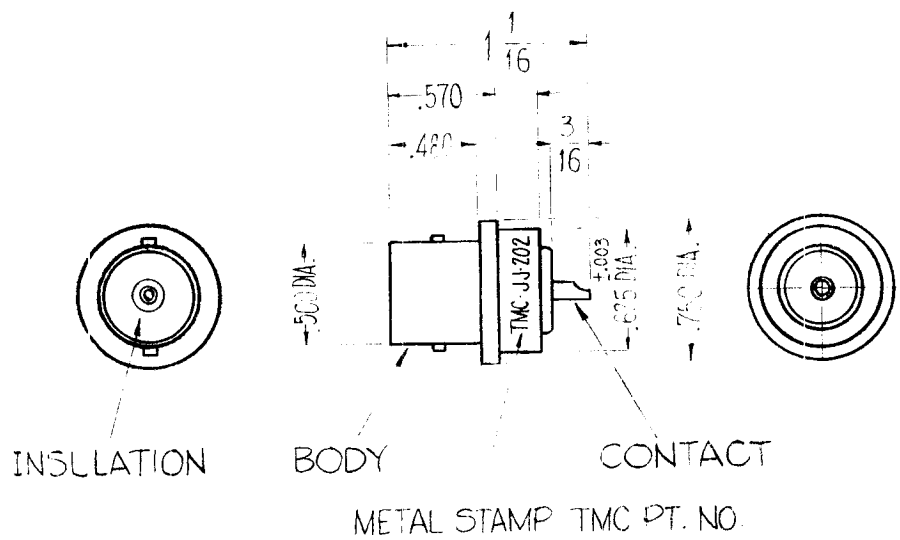
ASS'Y. NO.

DATE

SW-284

4-8-61

JJ-202



SPECIFICATIONS

BODY

MATERIAL - BRASS, FINISH - SILVER PLATED AND RHODIUM FLASHED.

CONTACT

MATERIAL - BERYLIUM COPPER, FINISH - GOLD FLASHED

INSULATION

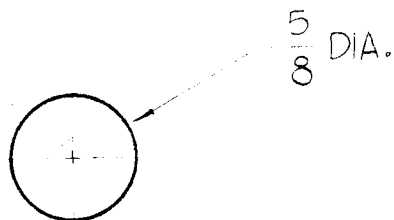
MATERIAL - TEFLON, TYPE - LOW LOSS PLASTIC, DIELECTRIC

ELECTRICAL DATA

MAXIMUM PEAK VOLTAGE
NOMINAL IMPEDANCE

MOUNTING

SEE DETAIL
NOTE - USE ONLY FOR SW-284



MOUNTING DETAIL

REQ.	ITEM	PART NO.	DESCRIPTION				SYMBOL
			THE TECHNICAL MATERIEL CORP. MAMARONECK, NEW YORK				
			CONNECTION, RECEPTACLE "TYPE C"				
			MATERIAL				
ISSUE	ITEM	CHANGED FROM	DATE	CH. NO.	DRAFTS	CHECKER	ENG. APP.
TOLERANCES			SCALE DO NOT SCALE 5401-70 (1048)				
DEC. DIM. ±			MAXIMUM ALLOWABLE TOLERANCES HAVE BEEN DETERMINED AND ANY DEVIATIONS WILL BE CAUSE FOR REJECTION. REMOVE ALL BURRS AND SHARP EDGES				
FRAC. DIM. ± 1/64							
ANGULAR DIM. ±							
TYPE & TEMPER		HEAT TREAT. SPEC.	DRAWN		CHECKED	FINAL APPROVAL	
FINISH & SPEC. NO.		ELEC. DES. APP.	MECH. DES. APP.		JJ-202		