

5

4

3

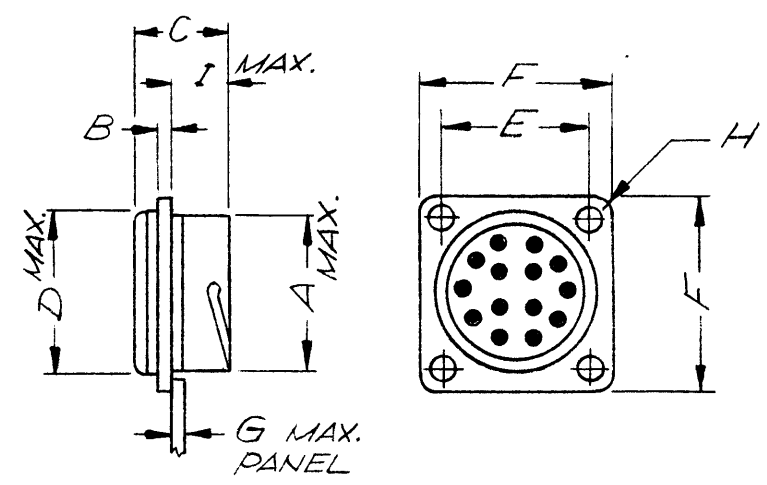
2

1

TMC P/N	MFG P/N	CONTACTS			A	B	C	D	E	F	G	H	I	MATCHING CONNECTORS	
		TYPE	QTY	SIZE										TMC NO	MFG NO
JJ200-1	67-02E18-64S	SOCKET	14	16	1.032	.093	.828	1.062	1.062	1.312	.095	.125	.562	PL212-1	67-06C18-64P
-2	67-02E18-64P	PIN	14	16	1.032	.093	.828	1.062	1.062	1.312	.095	.125	.562	PL212-2	67-06C18-64S
-3	67-02E18-24S	SOCKET	24	20	1.032	.093	.828	1.062	1.062	1.312	.095	.125	.562	PL212-3	67-06C18-24P
-4	67-02E18-24P	PIN	24	20	1.032	.093	.828	1.062	1.062	1.312	.095	.125	.562	PL212-4	67-06C18-24S
-5	67-02E12-60P	PIN	3	16	.656	.062	.828	.687	.812	1.031	.095	.125	.562	PL212-5	67-06E12-60S
-6	67-02E14-5S	SOCKET	5	20	.781	.062	.835	.812	.906	1.125	.095	.125	.562	PL212-6	67-06C14-5P
-7	67-02E18-65P	PIN	11	7-20 4-16	1.032	.093	.828	1.062	1.062	1.312	.095	.125	.562	PL212-7	67-06C18-65S
-8	67-02E14-5P	PIN	5	20	.781	.062	.835	.812	.906	1.125	.095	.125	.562	PL212-8	67-06C14-5S
-9	67-02E20-37S	SOCKET	37	20	1.156	.093	.835	1.187	1.156	1.437	.095	.125	.562	PL212-9	67-06C20-37P
-10	67-02E20-37P	PIN	37	20	1.156	.093	.835	1.187	1.156	1.437	.095	.125	.562	PL212.10	67-06C20-37S
-11	67-02E22-48S	SOCKET	48	20	1.281	.093	.835	1.281	1.250	1.562	.095	.125	.562	PL212-11	67-06C22-48P
-12	67-02E22-48P	PIN	48	20	1.281	.093	.835	1.281	1.250	1.562	.095	.125	.562	PL212-12	67-06C22-48S

REVISIONS						
ZONE	LTR	DESCRIPTION	DATE	E.M.N.NO	DRAFT	CHKD APPD
	G	REDRAWN & UPDATED	1/7/69	19158	CV	J.D. EFM

NOMINAL CURRENT RATING
 N° 16 CONTACTS 17.0 AMPERES
 N° 20 CONTACTS 7.5 AMPERES
 VOLTAGE RATING 500 V. RMS



QTY / UNIT	MODEL USED ON	ASS'Y NO.
APPLICATION		
CODE		
<p>NOTICE TO PERSONS RECEIVING THIS DRAWING THE TECHNICAL MATERIEL CORPORATION claims proprietary right in the material disclosed hereon. This drawing is issued in confidence for engineering information only and may not be reproduced or used to manufacture anything shown hereon without permission from THE TECHNICAL MATERIEL CORPORATION to the user. This drawing is loaned for mutual assistance and is subject to recall at any time.</p>		

UNLESS OTHERWISE SPECIFIED
 DIMENSIONS ARE IN INCHES
 AND INCLUDE CHEMICALLY APPLIED
 OR PLATED FINISHES

DECIMALS FRACTIONS
 .X ± .05 TOLS. 1/64
 .XX ± .01 ANGLES 0° - 30'
 .XXX ± .005

MATERIAL

FINISH

REQ'D	ITEM	PART NUMBER	DESCRIPTION	SYM.
LIST OF MATERIAL				
THE TECHNICAL MATERIEL CORP. MAMARONECK, NEW YORK				
CONNECTOR, RECEPTACLE, PANEL MOUNT				
FINAL APPROVAL		EFM	DATE	
MECH. DES.		VS	DATE	
ELECT. DES.			DATE	
CHECKED		J.D.	DATE	1-12-69
DRAWN		DJM	DATE	1/10/69
SIZE	CODE IDENT. NO.	DWG NO.	JJ 200	ISSUE
B	82679			G
SCALE		SHEET	OF	

5

4

3

2

1