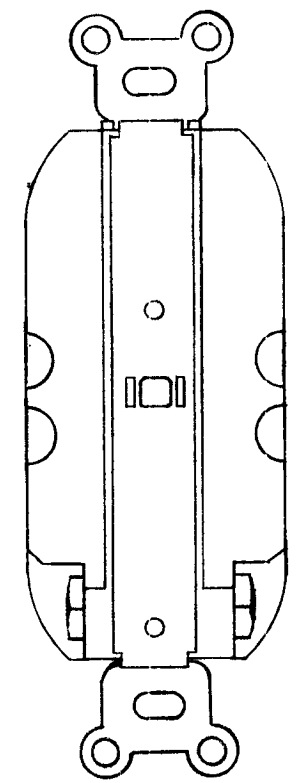
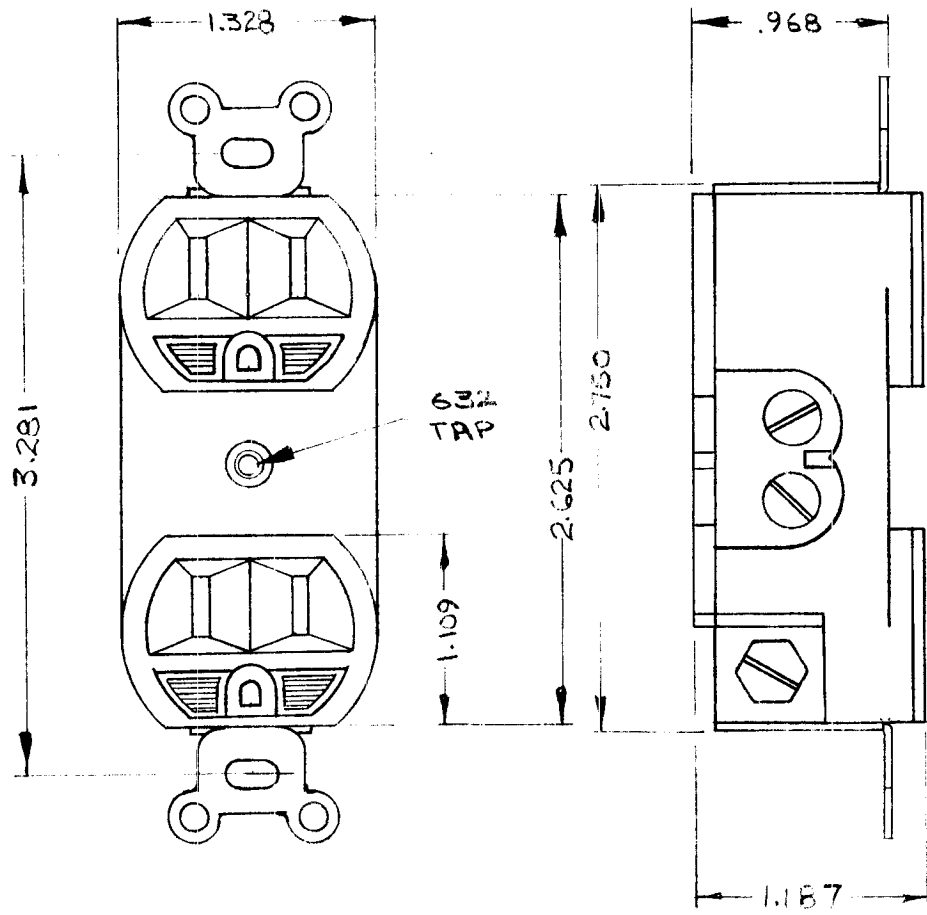


ISSUE	ITEM	CHANGED FROM	DATE	CN. NO.	DRAFTS	CHECKER	ENG. APP.	REQ.	ITEM	PART NO.	DESCRIPTION	SYMBOL
0		RELEASED	7-3-66				<i>(Signature)</i>					



REF. MFG. S-401-43
PART NO. (52.62)

APP10001	052/66		MARCH 4/66			TMC (Canada) LIMITED OTTAWA ONTARIO	
MODEL	PROJECT NO.	ASSY. NO.	DATE	STOCK SIZE		RECEPTACLE, DUPLEX	
USED ON				MATERIAL	WEIGHT PER PC.		
MAXIMUM ALLOWABLE TOLERANCES HAVE BEEN DETERMINED AND DEVIATIONS WILL BE CAUSE FOR RE. ECTION. REMOVE ALL BURRS AND SHARP EDGES		IF IT IS FOUND DESIRABLE TO CHANGE ANY TOLERANCE OR OTHER DETAIL SPECIFIED ON THIS DRAWING NOTIFY THE PURCHASER PROMPTLY.		TYPE & TEMPER		RPL	<i>(Signature)</i>
TOLERANCES		SCALE NTS		HEAT TREAT. SPEC.		DRAWN	ELEC. DES. APP.
ALL OTHERS	DEC. DIM. ±	DIMENSIONS IN INCHES UNLESS OTHERWISE SPECIFIED		FINISH & SPEC. NO.		CHECKED	MECH. DES. APP.
	FRAC. DIM. ±	DRILL, PUNCH, COMMERCIAL STOCK SIZES AND MANUFACTURERS TOLERANCES ARE NOT INCLUDED.				FINAL APPROVAL	
	ANGULAR DIM. ±					JJ 10007 <i>(Signature)</i>	