

IF IT IS FOUND DESIRABLE TO CHANGE ANY TOLERANCE OR OTHER DETAIL SPECIFIED ON THIS DRAWING NOTIFY THE PURCHASER PROMPTLY.

AMPHENOL DRAWING

JJ-10003

MAXIMUM ALLOWABLE TOLERANCES HAVE BEEN DETERMINED AND DEVIATIONS WILL BE CAUSE FOR REJECTION REMOVE ALL BURRS AND SHARP EDGES

USED ON

MODEL

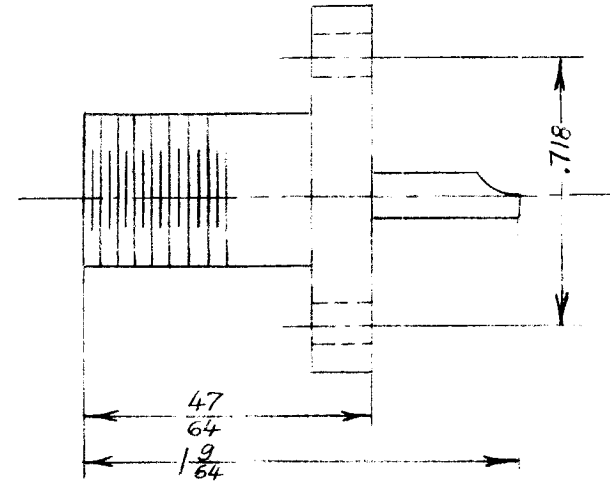
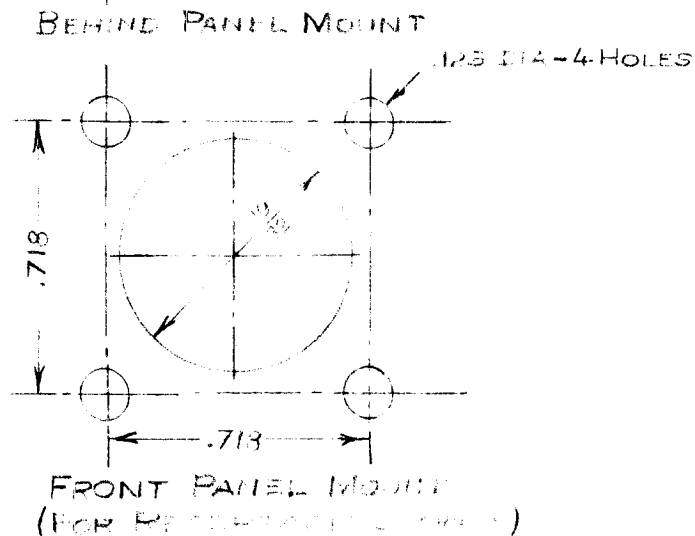
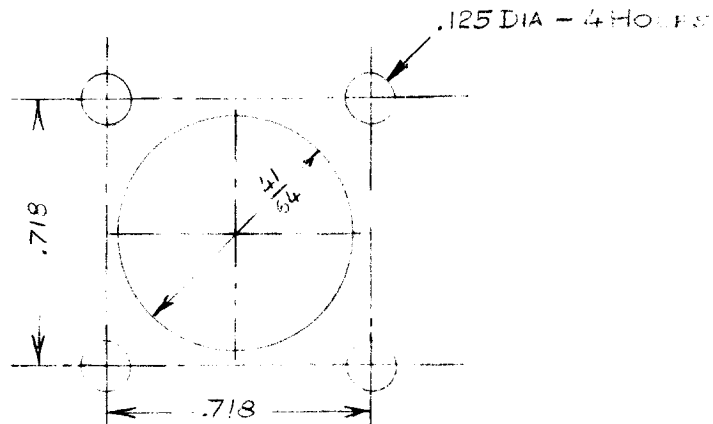
PROJECT NO.

ASS'Y. NO.

DATE

FEB 18/60

MOUNTING HOLES



REF: AMPHENOL 82-112

REQ.	ITEM	PART NO.	DESCRIPTION	SYMBOL
			TMC (Canada) LIMITED OTTAWA ONTARIO	
		STOCK SIZE	CONNECTOR, RECEPTACLE	
		MATERIAL	COAXIAL	
		WEIGHT PER PC.	M.K.	
		TYPE & TEMPER	DRAWN	ELEC. DES. APP.
		HEAT TREAT. SPEC.	CHECKED	MECH. DES. APP.
		FINISH & SPEC. NO.	FINAL APPROVAL	
			JJ-10003	

ISSUE	ITEM	CHANGED FROM	DATE	CN. NO.	DRAFTS	CHECKER	ENG. APP.

TOLERANCES		SCALE
ALL OTHERS	DEC. DIM. ±	2:1
	FRAC. DIM. ±	DIMENSIONS IN INCHES UNLESS OTHERWISE SPECIFIED
	ANGULAR DIM. ±	DRILL, PUNCH, COMMERCIAL STOCK SIZES AND MANUFACTURERS TOLERANCES ARE NOT INCLUDED.