

IF IT IS FOUND DESIRABLE TO CHANGE ANY TOLERANCE OR OTHER DETAIL SPECIFIED ON THIS DRAWING NOTIFY THE PURCHASER PROMPTLY.

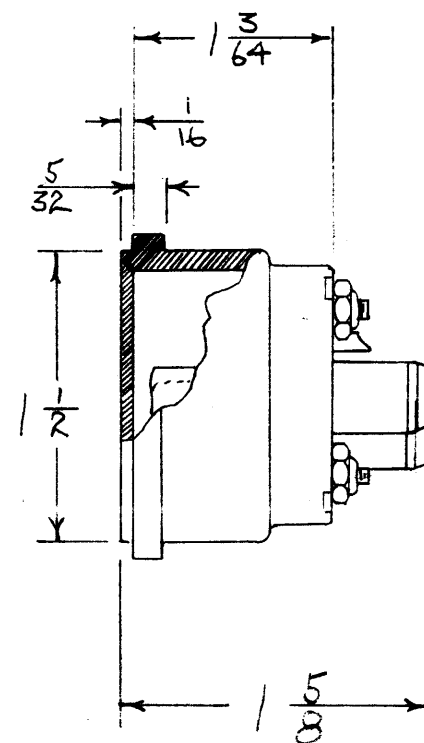
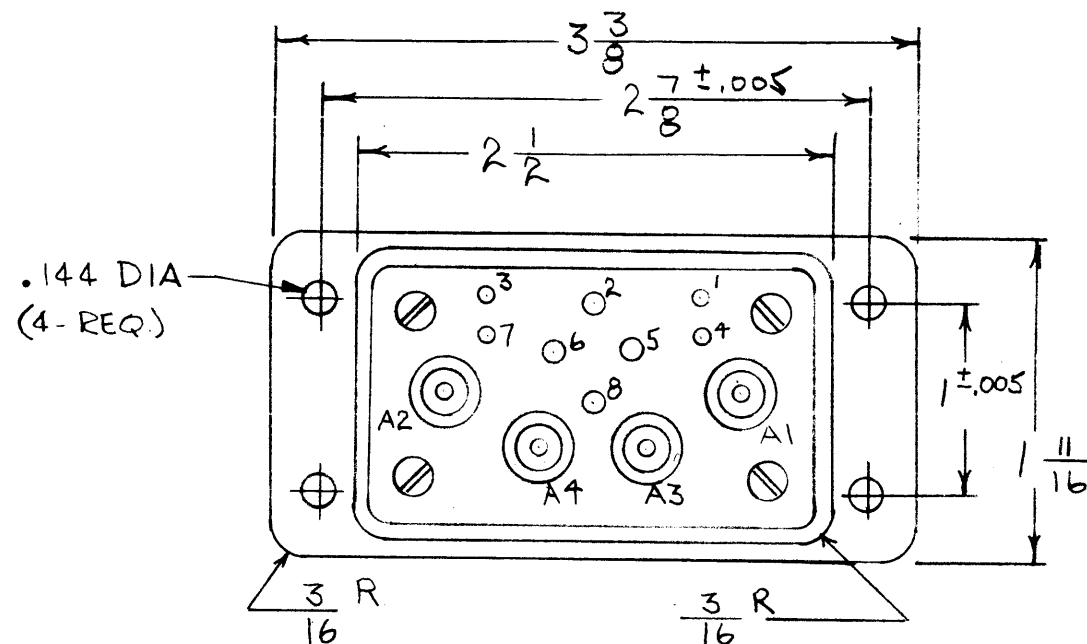
MAXIMUM ALLOWABLE TOLERANCES HAVE BEEN DETERMINED AND DEVIATIONS WILL BE CAUSE FOR REJECTION. REMOVE ALL BURRS AND SHARP EDGES

RELEASED

JJ-104

NOTE:

1. SHELL MATERIAL - ALUMINUM ALLOY.
2. SHELL FINISH - CADMIUM PLATED (WITH NATURAL CADMIUM COLOR).
3. INSERT INSULATION - FABRICATED PHENOLIC.
4. CONTACTS - BRASS AND COPPER ALLOY, SILVER PLATED.



TOTAL CONTACTS:	12	MIN. CLEARANCE
4 - 10 AMP. (#1,3,4,7)		1/16
2 - 15 AMP. (#5,6)		11/64
2 - 15 AMP. (#2,8)		3/64
4 - CO-AXIALS, 10 AMP. (A1,A2,A3,A4)		GROUNDED

NOTICE TO PERSONS RECEIVING THIS DRAWING

THE TECHNICAL MATERIEL CORPORATION claims proprietary right in the material disclosed hereon. This drawing is issued in confidence for engineering information only and may not be reproduced or used to manufacture anything shown hereon without permission from THE TECHNICAL MATERIEL CORPORATION to the user. This drawing is loaned for mutual assistance and is subject to recall at any time.

Property of:
THE TECHNICAL MATERIEL CORPORATION
MAMARONECK, NEW YORK

REF: CANNON ELECTRIC CO., TYPE: DPD-12C4-34P

REQ.	ITEM	PART NO.	DESCRIPTION	SYMBOL
			THE TECHNICAL MATERIEL CORP. MAMARONECK, NEW YORK	
		STOCK SIZE		
			CONNECTOR - MULTI - COAXIAL	
		MATERIAL	WEIGHT PER PC.	
		TYPE & TEMPER		
		HEAT TREAT. SPEC.		
		FINISH & SPEC. NO.		

ISSUE	ITEM	CHANGED FROM	DATE	CN. NO.	DRAFTS	CHECKER	ENG. APP.
A	2	NOTE (2) CLARIFIED, (3) ADDED	10-9-62	7396			
	1	CO-AXIAL CONTACT CLARIFIED					

REQ. PER UNIT	MODEL	PROJECT NO.	ASSY. NO.	DATE
2	FFR-DPH	333	A-85A	10-19-54
2	FFR-DP		A-334	1-21-53
	FFR	104	A-277	11-21-52

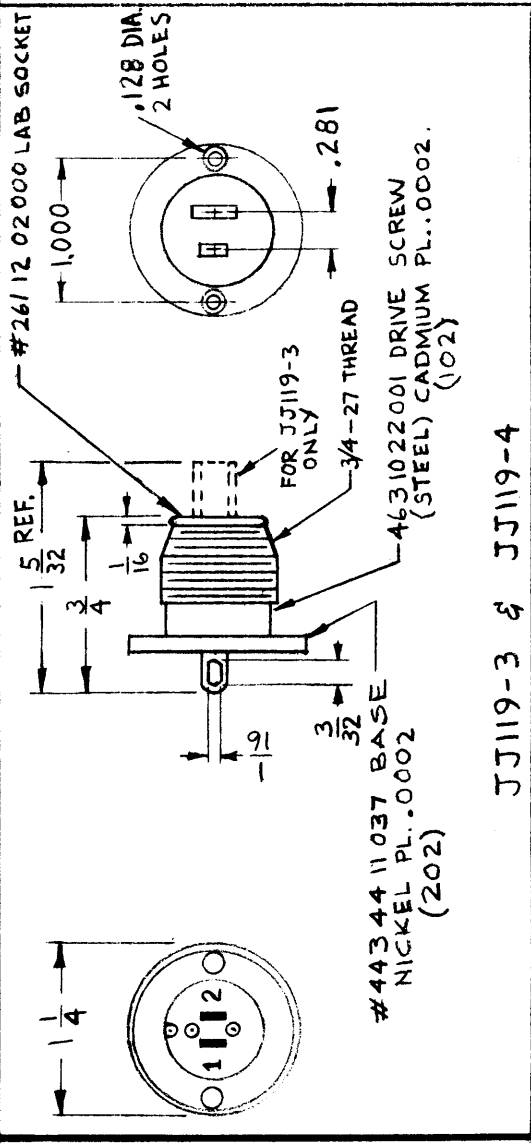
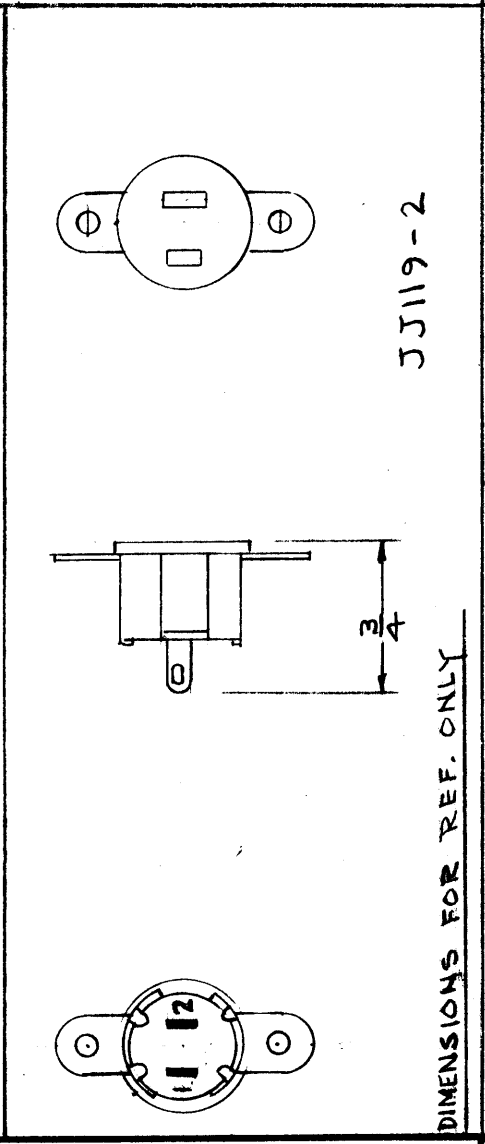
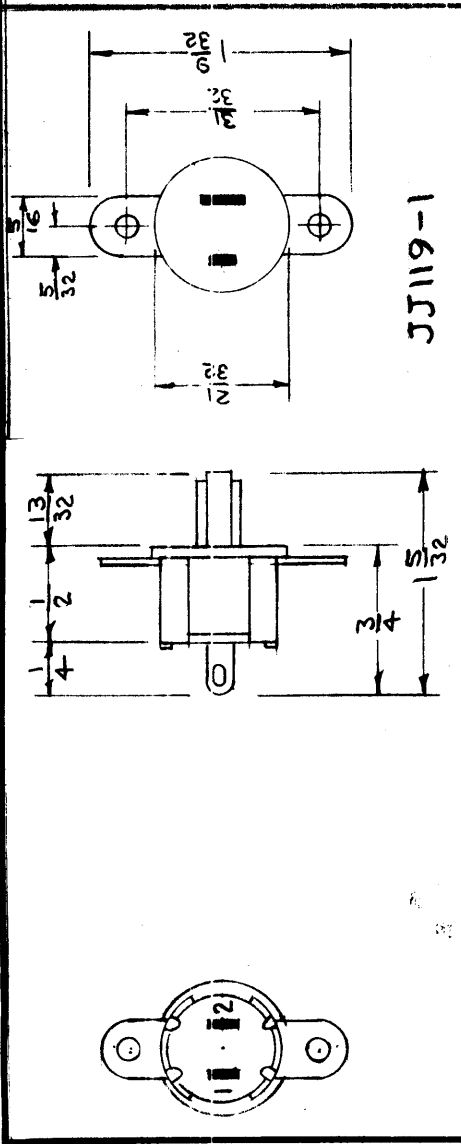
USED ON

JJ-104

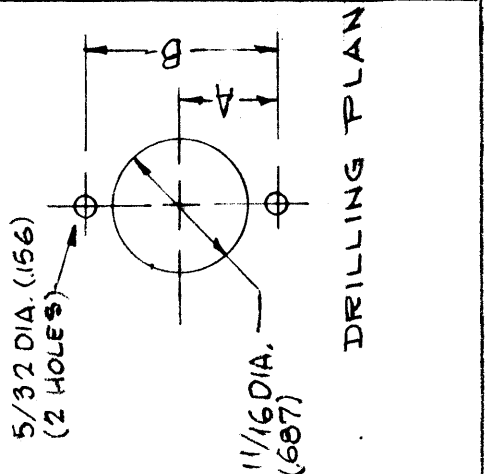
REVISIONS

BY	DESCRIPTION	DATE	E.M.N. NO.	DRAFT	CHKD	APPD
B	REDRAWN FROM #1 SIZE; JJ119-3 & (-4) ADDED; ON CHART; "MEG. PIN" WAS "CINCH"; MATES WITH COL. ADD; * NOTE ADDED; S401 #ADD; "REF: CINCH MFG. CORP." DELE.	4-5-65	13806	9.8	JMB	

B JJ119



	A	B
JJ119-1, -2	3/16	3/32
JJ119-3, -4	1/2	1"



TMC NO.	Mf.	P/N	TYPE	MATES WITH
JJ119-1	P-302-AB		MALE	PL105-2
JJ119-2	3-302-AB		FEMALE	PL105-1
JJ119-3	P202 B		MALE	PL105-3
JJ119-4	S202 B		FEMALE	PL105-4

* *

DIMENSIONS FOR REF. ONLY

REQ'D.	ITEM	PART NUMBER	DESCRIPTION	SYMBOL
			LIST OF MATERIAL	

MATERIAL _____
FINISH _____

UNLESS OTHERWISE SPECIFIED DIMENSIONS ARE IN INCHES AND INCLUDE CHEMICALLY APPLIED OR PLATED FINISHES	DATE	FINAL APPROV	DATE
	4/5/65	JMB	4/5/65
		JJ119	

DECIMALS	FRACTIONS
X ± .05	± 1/64
.XX ± .01	ANGLES
.XXX ± .005	± 0° 30'

THE TECHNICAL MATERIEL CORP.
MAMARONECK, NEW YORK

RECEPTACLE
2 PRONG

QTY./UNIT SCALE: 1:1
MODEL USED ON CODE: S401-176
ASSY. NO.

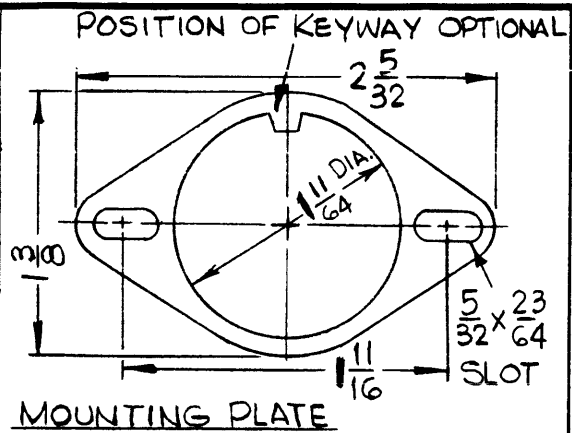
STANDARD DRAWING

* DO NOT USE JJ119-1 & JJ119-2 IN NEW DESIGN

NOTES

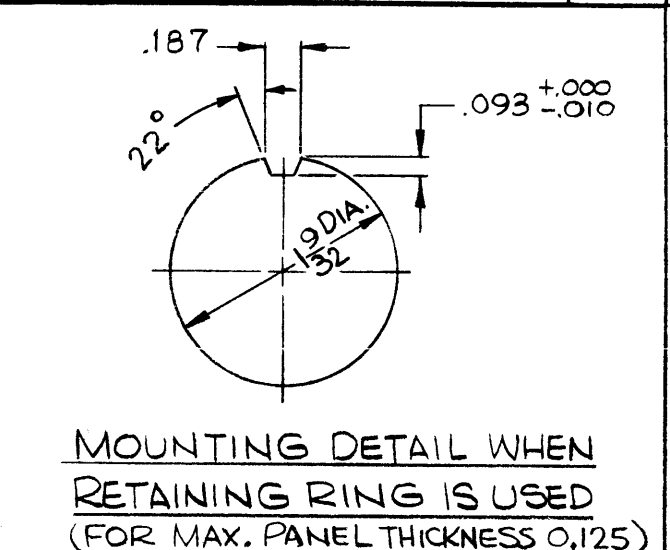
THE CONTENTS OF THIS DRAWING ARE THE EXCLUSIVE PROPERTY OF THE TECHNICAL MATERIEL CORP. ITS UNAUTHORIZED USE OR REPRODUCTION IN WHOLE OR IN PART IS STRICTLY FORBIDDEN.

TMC PART NUMBER	MFG. PART NO.		FIG.	DESCRIPTION
	RETAINING RING TYPE	MTG PLATE TYPE		
JJ122-1	G1-F		A	2 POLE
JJ122-2		G1-F1	A	2 POLE
JJ122-3	160-10		B	2 POLE W/GROUND
JJ122-4		160-2	B	2 POLE W/GROUND



JJ122

REVISIONS						
SYM	DESCRIPTION	DATE	E.M.N. NO.	DRAFT	CHKD	APPD
C	COMPLETELY REVISED & REDRAWN	5-6-66	16172	NLA	HLA	JC



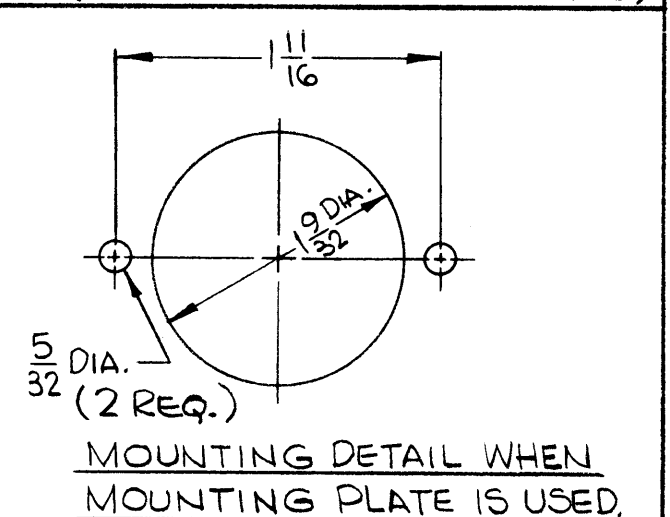
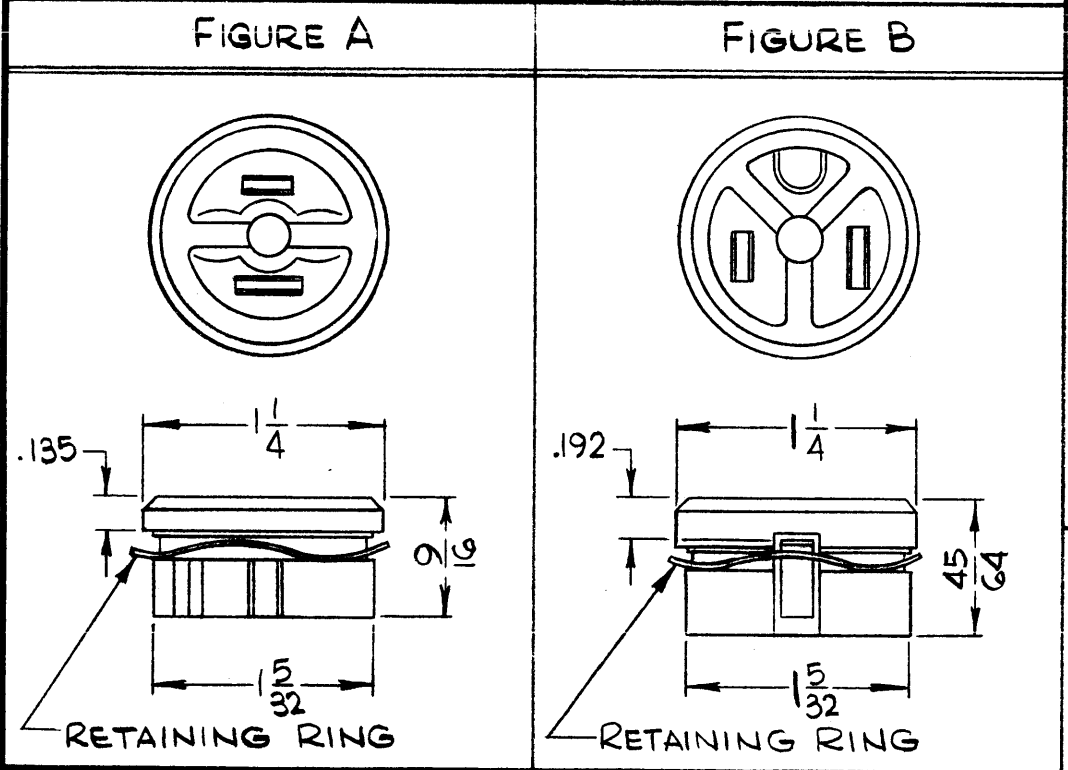
SPECIFICATIONS

1.- ELECTRICAL RATING:
 A- 15 AMPS @ 125 VOLTS.
 B- 10 AMPS @ 250 VOLTS.

2.- MECHANICAL SPECIFICATIONS:
 A- BODY: BLACK PHENOLIC PER MIL-M-14.
 B- MOUNTING PLATE: STEEL, NICKEL PLATED.
 C- CONTACTS OPTIONAL: PHOSPHOR BRONZE, CADMIUM PLATED; COPPER ALLOY; BRASS.
 D- RETAINING CLIP: CARBON STEEL, CADMIUM PLATED.

3.- MOUNTING:
 A- REFER TO PICTORIAL FOR DETAILS.

4.- MATING PLUGS: PL218 MATES WITH JJ122-3 & -4.
 PL185 & PL108 MATE WITH JJ122-1,-2,-3,-4



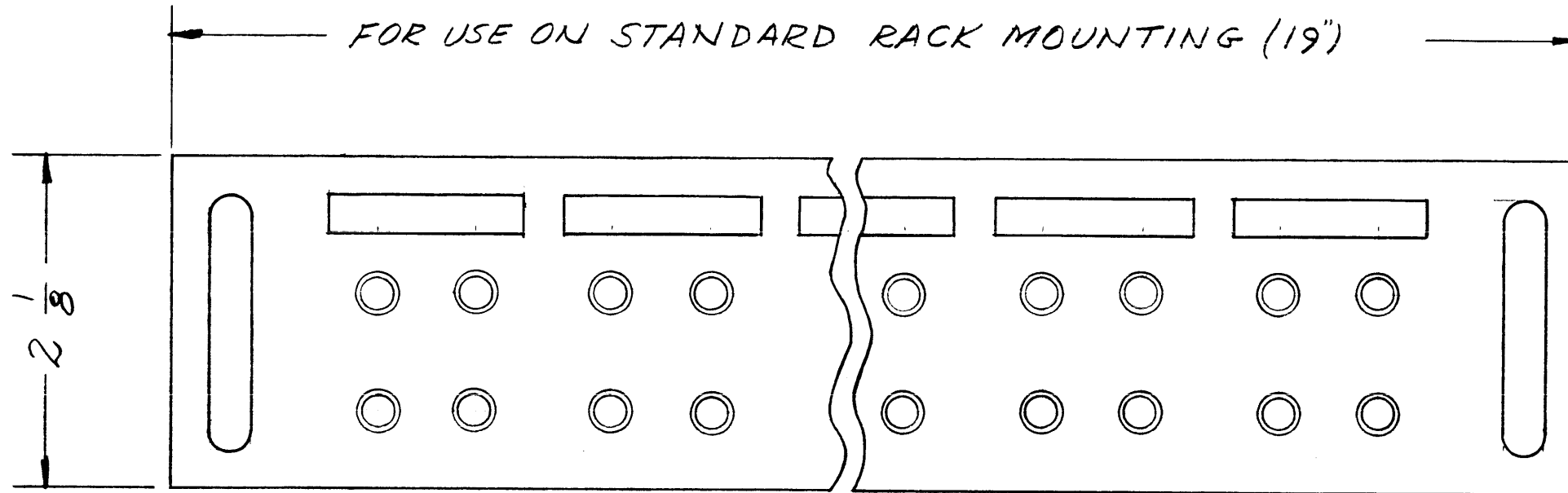
REQ'D.	ITEM	PART NUMBER	DESCRIPTION	SYMBOL
LIST OF MATERIAL				
MATERIAL		SEE SPECS.		
FINISH		THE TECHNICAL MATERIEL CORP. MAMARONECK, NEW YORK		
TITLE		CONNECTOR, RECEPTACLE (2 POLE & 2 POLE W/GROUND)		
UNLESS OTHERWISE SPECIFIED DIMENSIONS ARE IN INCHES AND INCLUDE CHEMICALLY APPLIED OR PLATED FINISHES	DRAWN	DATE	FINAL APPROVAL	
DECIMALS .X ± .05 .XX ± .01 .XXX ± .005	H. AUSTIN	5-6-66	<i>[Signature]</i>	
	TOLERANCES	5-11-66		
FRACTIONS ± 1/64 ANGLES ± 0° 30'	ELECT. DES.	DATE	JJ122	C
	MECH. DES.	DATE	SHEET	REV. LTR.

STANDARD DRAWING

NOTES

Q'TY./UNIT	MODEL USED ON	ASS'Y. NO.
SCALE 1:1	CODE C	S401-71
THE CONTENTS OF THIS DRAWING ARE THE EXCLUSIVE PROPERTY OF THE TECHNICAL MATERIEL CORP. ITS UNAUTHORIZED USE OR REPRODUCTION IN WHOLE OR IN PART IS STRICTLY FORBIDDEN.		

JJ-124



NOTICE TO PERSONS RECEIVING THIS DRAWING

THE TECHNICAL MATERIEL CORPORATION claims proprietary right in the material disclosed hereon. This drawing is issued in confidence for engineering information only and may not be reproduced or used to manufacture anything shown hereon without permission from THE TECHNICAL MATERIEL CORPORATION to the user. This drawing is loaned for mutual assistance and is subject to recall at any time.

Property of:
 THE TECHNICAL MATERIEL CORPORATION
 MAMARONECK, NEW YORK

NOTE:

- Constructed of solid bakelite, reinforced with steel.
- Slotted mounting brackets for use in 19" relay racks.
- Jack spacing prevents cross connection of adjacent circuits with double plug.
- Designation strip included on all panels.
- Double panel holds 48 jacks (PJ-318), requires 2-1/8" panel space.

	REDRAWN NO REVISION	10/9/61				
SYM	DESCRIPTION	DATE	CH. NO.	DRAFTS	CHECKER	ENG. APP.
UNLESS OTHERWISE SPECIFIED:		SCALE: S401-123(PJ-341)				
DIMENSIONS ARE IN INCHES		MAXIMUM ALLOWABLE TOLERANCES HAVE BEEN DETERMINED AND ANY DEVIATIONS WILL BE CAUSE FOR REJECTION.				
TOLERANCES ON		REMOVE ALL BURRS AND SHARP EDGES				
FRACTIONS ± 1/64		DECIMALS ± .005		ANGLES ± 1/2°		

1	LPP			10-5-61
REQ. PER UNIT	MODEL	SECTION	ASS'Y. NO.	DATE
USED ON				

REQ. ITEM	PART NO.	DESCRIPTION	SYMBOL
		THE TECHNICAL MATERIEL CORP. MAMARONECK, NEW YORK	
STOCK SIZE		JACK ASSEMBLY, TELEPHONE	
SEE NOTE			
MATERIAL			
		AB	JM
TYPE & TEMPER	HEAT TREAT. SPEC.	DRAWN	CHECKER
FINISH & SPEC. NO.		ELEC. DES. APP.	MECH. DES. APP.
		JJ-124	

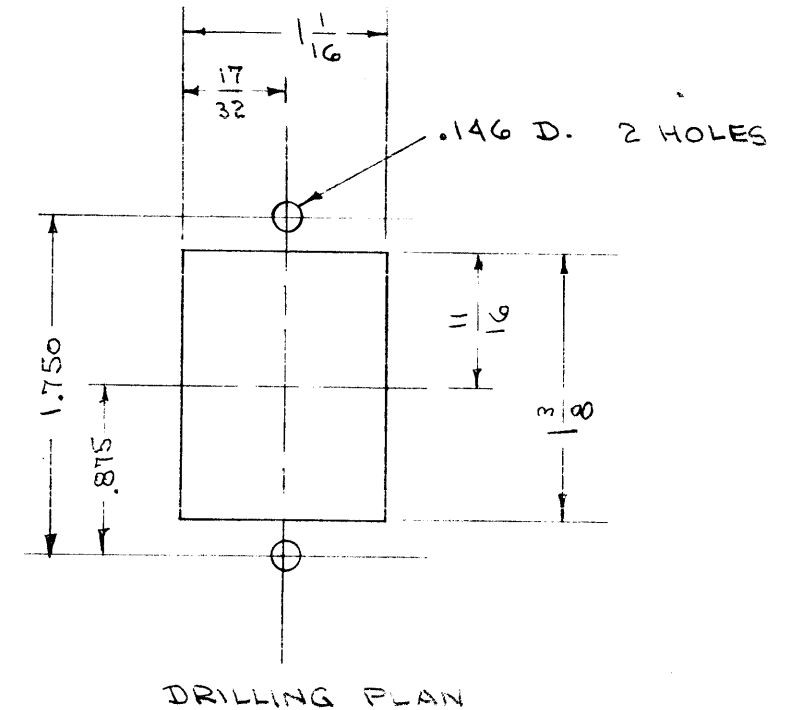
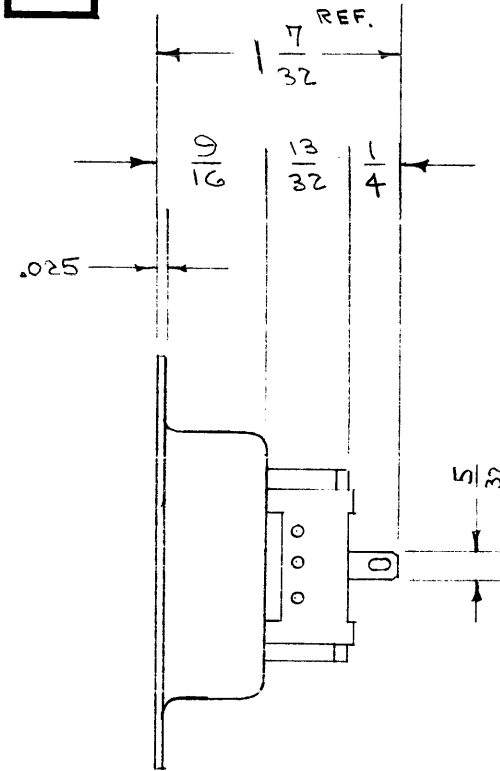
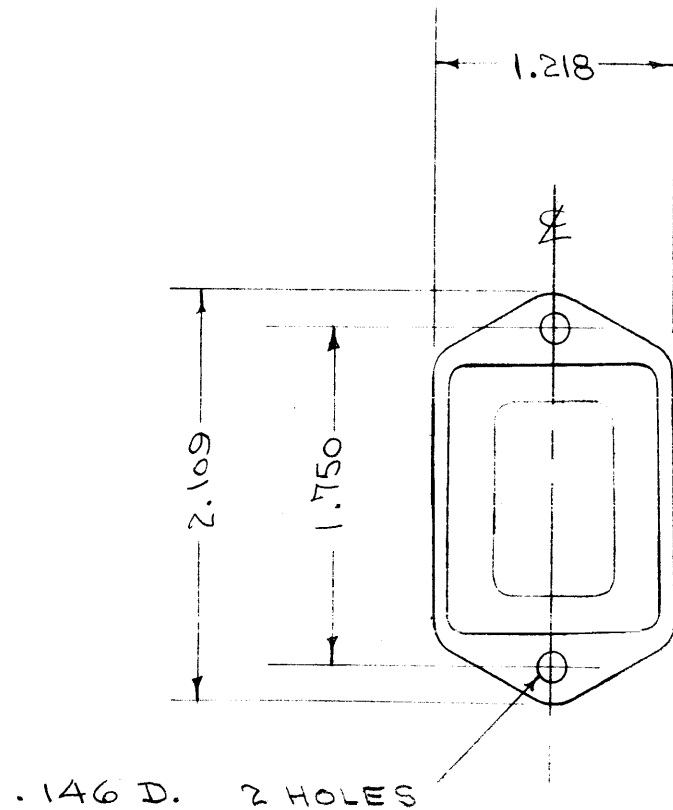
IF IT IS FOUND DESIRABLE TO CHANGE ANY TOLERANCE OR OTHER DETAIL SPECIFIED ON THIS DRAWING NOTIFY THE PURCHASER PROMPTLY.

MAXIMUM ALLOWABLE TOLERANCES HAVE BEEN DETERMINED AND DEVIATIONS WILL BE CAUSE FOR REJECTION. REMOVE ALL BURRS AND SHARP EDGES

TMC NO.	CAT. NO	CONTACTS
JJ-129-1	S-302 DB	2
JJ-129-2	S-303 DB	3
JJ-129-3	S-304 DB	4
JJ-129-4	S-306 DB	6
JJ-129-5	S-308 DB	8
JJ-129-6	S-312 DB	12

STANDARD DRAWING

JJ-129



NOTICE TO PERSONS RECEIVING THIS DRAWING

THE TECHNICAL MATERIEL CORPORATION claims proprietary right in the material disclosed hereon. This drawing is issued in confidence for engineering information only and may not be reproduced or used to manufacture anything shown hereon without permission from THE TECHNICAL MATERIEL CORPORATION to the user. This drawing is loaned for mutual assistance and is subject to recall at any time.

Property of:
THE TECHNICAL MATERIEL CORPORATION
MAMARONECK, NEW YORK

REF: HOWARD B. JONES DIV. - CINCH MFG. CORP.

REQ.	ITEM	PART NO.	DESCRIPTION	SYMBOL
	#		THE TECHNICAL MATERIEL CORP.	
		STOCK SIZE	MAMARONECK. NEW YORK	
	#	#	SOCKET, w/DEEP BRACKET	
		MATERIAL		
		WEIGHT PER PC.		
		TYPE & TEMPER	C.D.D. 11-10-53	
		HEAT TREAT. SPEC.	DRAWN	ELEC. DES. APP. MECH. DES. APP.
		FINISH & SPEC. NO.	CHECKED	FINAL APPROVAL
				JJ-129

ISSUE	ITEM	CHANGED FROM	DATE	CN. NO.	DRAFTS	CHECKER	ENG. APP.
TOLERANCES							
ALL OTHERS				SCALE:			
DEC. DIM. ±				DRILL, PUNCH, COMMERCIAL STOCK			
FRAC. DIM. ±				SIZES AND MANUFACTURERS			
ANGULAR DIM. ±				TOLERANCES ARE NOT INCLUDED.			
MODEL		PROJECT NO.		ASS'Y. NO.		DATE	

55-138

SPECIFICATIONS

SERIES ~ QDL TO QDL
 NO. OF CONTACTS ~ ONE (1) EACH END
 TYPE OF CONTACT ~ FEMALE
 DIELECTRIC ~ TEFLON
ELECTRICAL DATA
 MAX. PEAK VOLTAGE ~ 10KV
 NOM IMPEDANCE ~ 50Ω
MATING ACCOMODATIONS
 TYPE ~

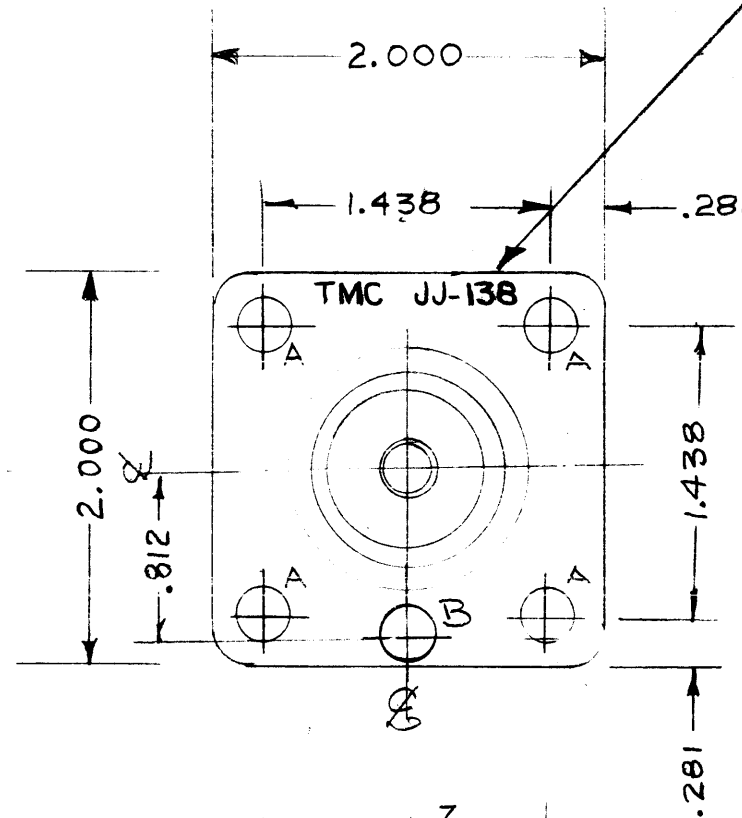
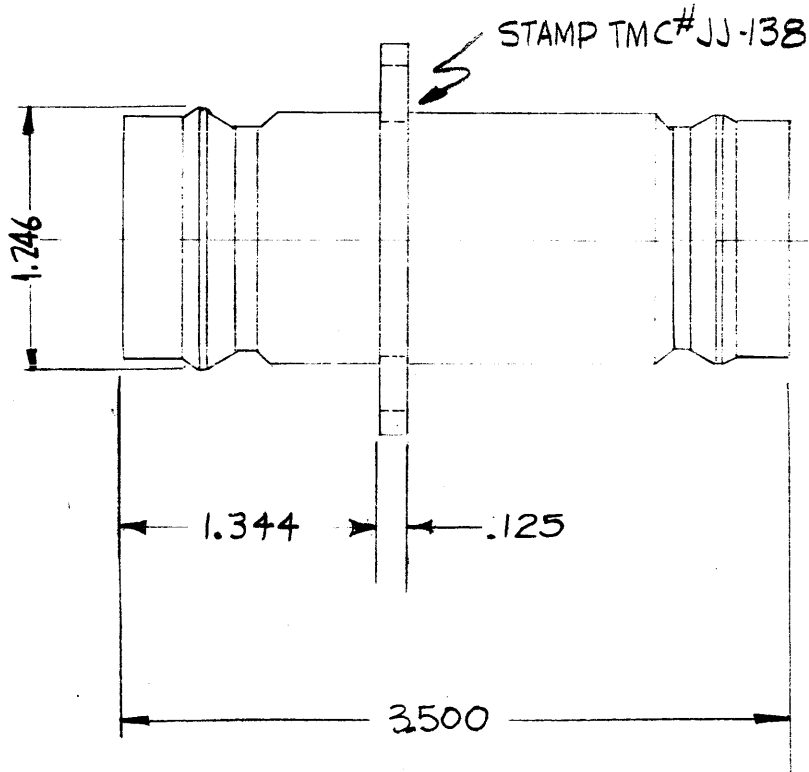
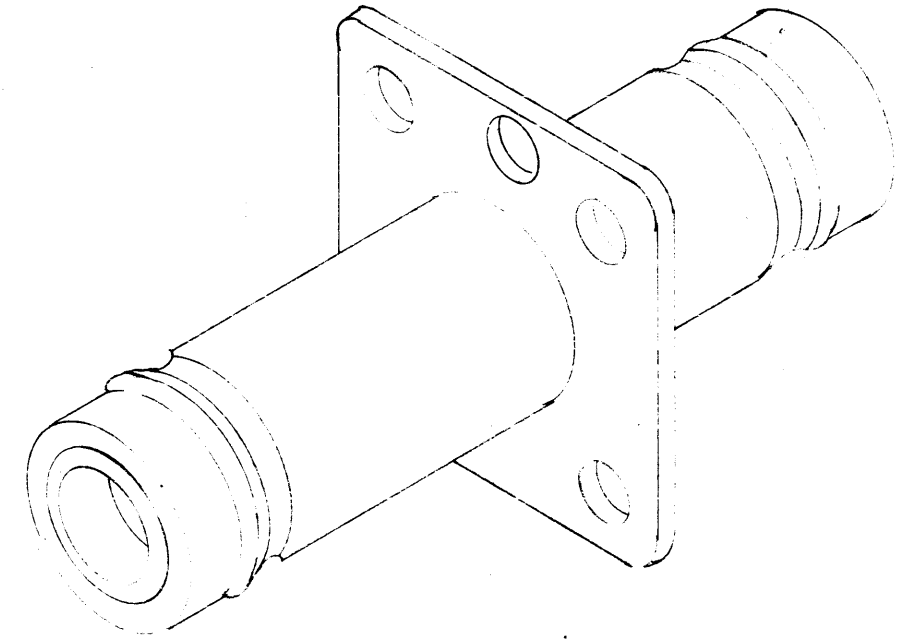
FINISH

EXTERNAL PARTS ~ SILVER PLATE +
 RHODIUM FLASH
 CONTACTS ~ SILVER PLATE & GOLD
 FLASH

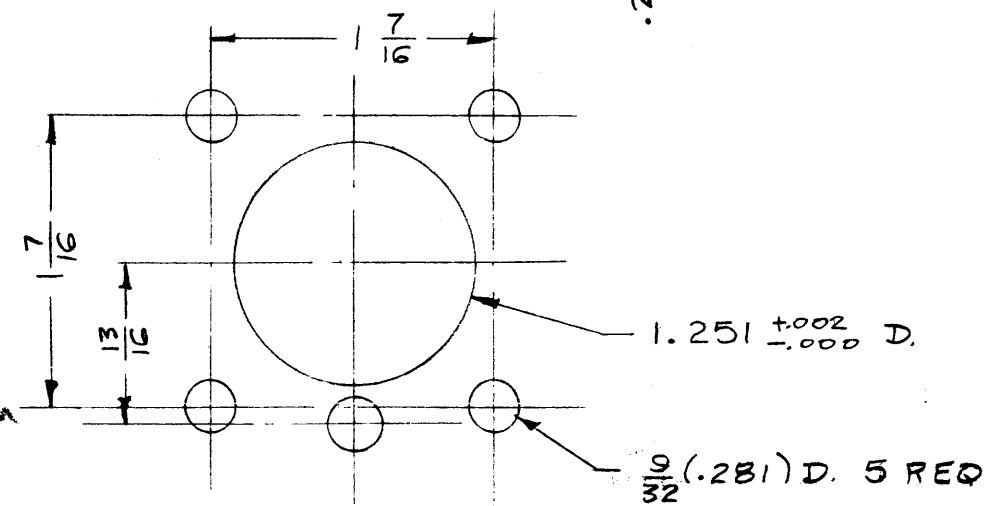
MATERIAL

EXTERNAL PARTS ~ BRASS
 CONTACTS ~ BERYLLIUM COPPER

STAMP AS SHOWN
 1/8 HIGH GOTHIC LETTERING



A - .257 D 4 HOLES REQ
 B - 9/32 (.281) D 1 HOLE REQ



DRILLING PLAN

REF: UG-934/U MODIFIED

ISSUE	ITEM	CHANGED FROM	DATE	CH. NO.	DRAFTS	CHECKER	ENG. APP.
C	1	SPECIFICATIONS ADDED	5/8/61				
B	1	ALL DECIMAL DIM. WERE					
	2	.281 DIM. & DR. PLAN ADDED	2/15/57	2	16	JAR	
	1	1.344 WAS 1 7/16					
A	2	DRILLING PLAN DELETED	10/10/56	1	JAR	COB	
	1	9/32 WAS 11/32 D					

REQ. ITEM	PART NO.	DESCRIPTION	SYMBOL
		THE TECHNICAL MATERIEL CORP. MAMARONECK, NEW YORK	
STOCK SIZE		ADAPTER, CONNECTOR	
MATERIAL		QDL TO QDL	
TYPE & TEMPER	HEAT TREAT. SPEC.	DRAWN	CHECKED
S-315		JAR	WJC
FINISH & SPEC. NO.	ELEC. DES. APP.	MECH. DES. APP.	
			JJ-138

4	QDP	PROJECT NO.	ASS'Y. NO.	DATE
REQ. PER UNIT	MODEL			

USED ON

JJ-148 A

SPECIFICATIONS

SERIES ~ QDS
 NO OF CONTACTS ~ ONE (1)
 TYPE OF CONTACT ~ FEMALE
 DIELECTRIC ~ TEFLON

ELECTRICAL DATA

MAX. PEAK OPR. VOLT. ~ 1,000V
 FREQ. LIMIT ~ 10,000MCS
 NOM. IMPEDANCE ~ 50Ω

CABLE ACCOMODATIONS

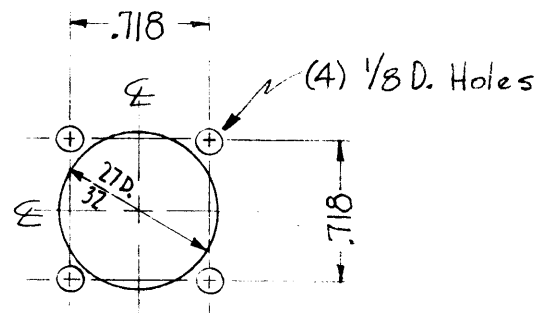
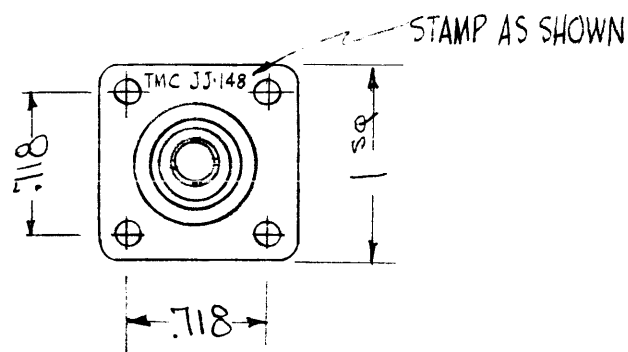
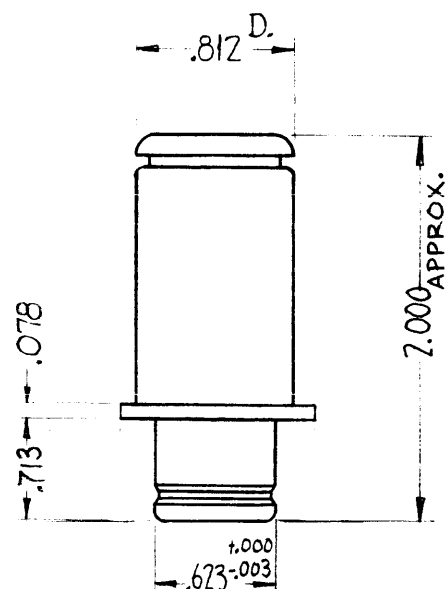
TYPE ~ RG-87A/U
 MAX. O.D. ~
 IMPEDANCE ~

MATERIAL

EXTERNAL PARTS ~ BRASS
 CONTACT ~ BERYLLIUM

FINISH

EXTERNAL PARTS ~ SILVER PLATE & RHODIUM FLASH
 CONTACT ~ SILVER PLATE & GOLD FLASH



MOUNTING DETAIL

NOTICE TO PERSONS RECEIVING THIS DRAWING

THE TECHNICAL MATERIEL CORPORATION claims proprietary right in the material disclosed hereon. This drawing is issued in confidence for engineering information only and may not be reproduced or used to manufacture anything shown hereon without permission from THE TECHNICAL MATERIEL CORPORATION to the user. This drawing is loaned for mutual assistance and is subject to recall at any time.

Property of:
 THE TECHNICAL MATERIEL CORPORATION
 MAMARONECK, NEW YORK

SYM	DESCRIPTION	DATE	CH. NO.	DRAFTS	CHECKER	ENG. APP.
A	.713 ± .078 WERE .519 ± .075	4-12-66	16085	wyo	Q/S	MM

UNLESS OTHERWISE SPECIFIED:
 DIMENSIONS ARE IN INCHES
 TOLERANCES ON
 FRACTIONS ± 1/64 DECIMALS ± .005 ANGLES ± 1/2°

SCALE: S-401-70 (2028)
 MAXIMUM ALLOWABLE TOLERANCES HAVE BEEN DETERMINED AND ANY DEVIATIONS WILL BE CAUSE FOR REJECTION.
 REMOVE ALL BURRS AND SHARP EDGES

REQ. PER UNIT	MODEL	SECTION	ASS'Y. NO.	DATE
				5/11/61

USED ON

REQ. ITEM	PART NO.	DESCRIPTION	SYMBOL
		THE TECHNICAL MATERIEL CORP. MAMARONECK, NEW YORK	
		CONNECTOR, RECEPTACLE	
		QDS TO CABLE	
		DRAWN: [Signature]	
		CHECKER: [Signature]	
		FINAL APPROVAL: [Signature]	
		JJ-148	A

B
JJ-149

SPECIFICATIONS

SERIES ~ QDS
 NO. OF CONTACTS ~ (1)
 TYPE OF CONTACT ~ FEMALE
 DIELECTRIC ~ TEFLON

ELECTRICAL DATA

MAX. PEAK OPR. VOLT ~ 1000V
 FREQ. LIMIT ~ 10,000 MCS
 NOM. IMPEDANCE ~ 50Ω

CABLE ACCOMODATIONS

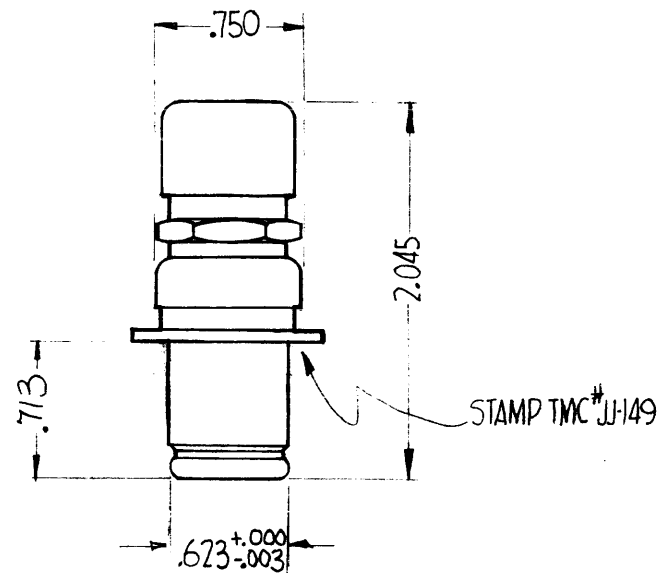
TYPE ~ RG-8/U, RG-10/U, RG-11/U, RG-12/U
 MAX. O.D. ~
 IMPEDANCE ~

MATERIAL

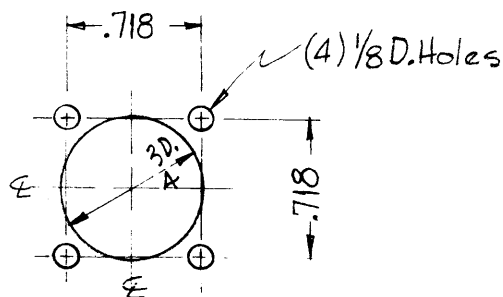
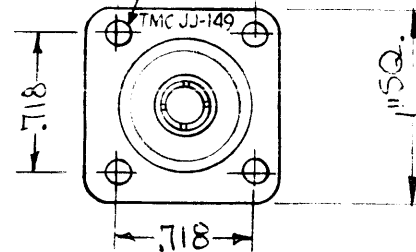
EXTERNAL PARTS ~ BRASS
 CONTACT ~ BERYLLIUM
 GASKET ~ SILICONE, RUBBER

FINISH

EXTERNAL PARTS ~ SILVER PLATE & RHODIUM FLASH
 CONTACT ~ SILVER PLATE & GOLD FLASH



DRILL & TAP FOR 4-40
 4 REQ.



MOUNTING DETAIL

NOTICE TO PERSONS RECEIVING THIS DRAWING

THE TECHNICAL MATERIEL CORPORATION claims proprietary right in the material disclosed hereon. This drawing is issued in confidence for engineering information only and may not be reproduced or used to manufacture anything shown hereon without permission from THE TECHNICAL MATERIEL CORPORATION to the user. This drawing is loaned for mutual assistance and is subject to recall at any time.

Property of:

THE TECHNICAL MATERIEL CORPORATION
 MAMARONECK, NEW YORK

SYM	DESCRIPTION	DATE	CH. NO.	DRAFTS	CHECKER	ENG. APP.
B	DIM .713 WAS .708	4-12-66	16085	WAW	<i>[Signature]</i>	<i>[Signature]</i>
A	DRILL & TAP FOR 4-40 (4 Req)	1-10-62	6176	EL	<i>[Signature]</i>	<i>[Signature]</i>

UNLESS OTHERWISE SPECIFIED:
 DIMENSIONS ARE IN INCHES
 TOLERANCES ON FRACTIONS ± 1/64 DECIMALS ± .005 ANGLES ± 1/2°

SCALE: S-401-70 (2662)
 MAXIMUM ALLOWABLE TOLERANCES HAVE BEEN DETERMINED AND ANY DEVIATIONS WILL BE CAUSE FOR REJECTION.
 REMOVE ALL BURRS AND SHARP EDGES

REQ. PER UNIT	MODEL	SECTION	ASS'Y. NO.	DATE
				5-10-61

USED ON

REQ. ITEM	PART NO.	DESCRIPTION	SYMBOL
		THE TECHNICAL MATERIEL CORP. MAMARONECK, NEW YORK	
		CONNECTOR, RECEPTACLE	
		QDS TO CABLE	
		TYPE & TEMPER	
		HEAT TREAT. SPEC.	
		DRAWN	
		CHECKER	
		FINAL APPROVAL	
		FINISH & SPEC. NO.	
		ELEC. DES. APP.	
		MECH. DES. APP.	

Handwritten: JJ-149 B

JJ-152

SPECIFICATIONS

SERIES ~ QDS
 NO OF CONTACTS ~ ONE(1)
 TYPE OF CONTACTS ~ FEMALE
 DIELECTRIC ~ TEFLON

ELECTRICAL DATA

MAX. PEAK VOLTAGE ~ 5KV
 NOM. IMPEDANCE ~ 50Ω

MATING ACCOMODATIONS

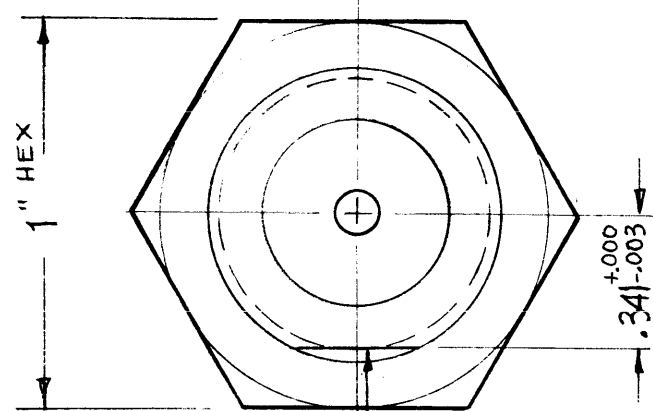
TYPE ~ STUD

MATERIAL

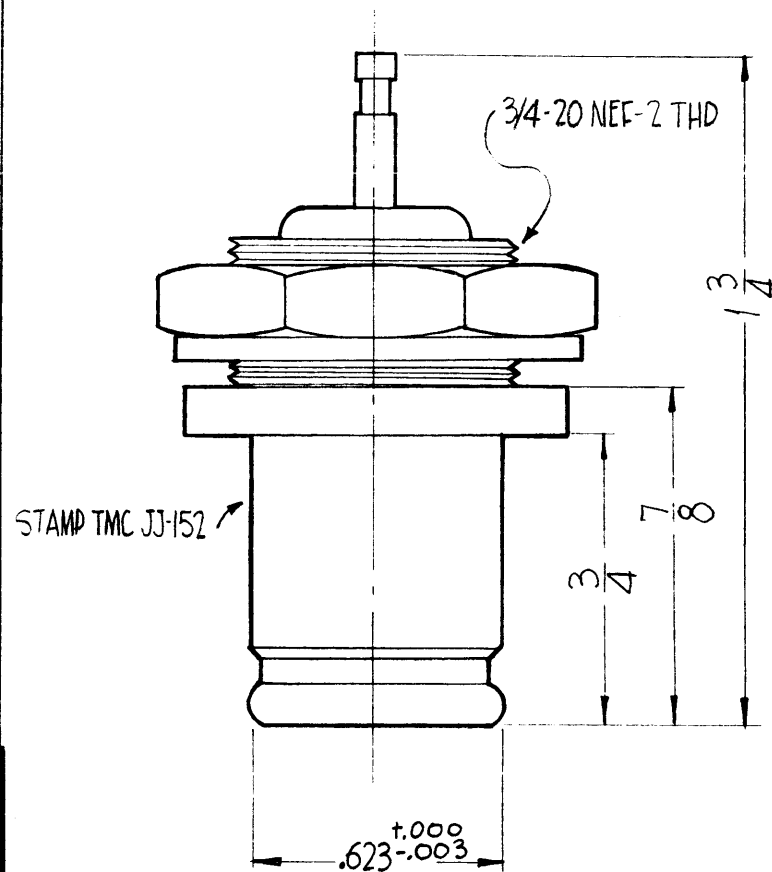
EXTERNAL PARTS ~ BRASS
 CONTACTS ~ FEMALE

FINISH

EXTERNAL PARTS ~ SILVER PLATE & RHODIUM FLASH
 CONTACTS ~ SILVER PLATE & GOLD FLASH



FLAT ON THDS. ONE SIDE ONLY.



NOTICE TO PERSONS RECEIVING THIS DRAWING

THE TECHNICAL MATERIEL CORPORATION claims proprietary right in the material disclosed hereon. This drawing is issued in confidence for engineering information only and may not be reproduced or used to manufacture anything shown hereon without permission from THE TECHNICAL MATERIEL CORPORATION to the user. This drawing is loaned for mutual assistance and is subject to recall at any time.

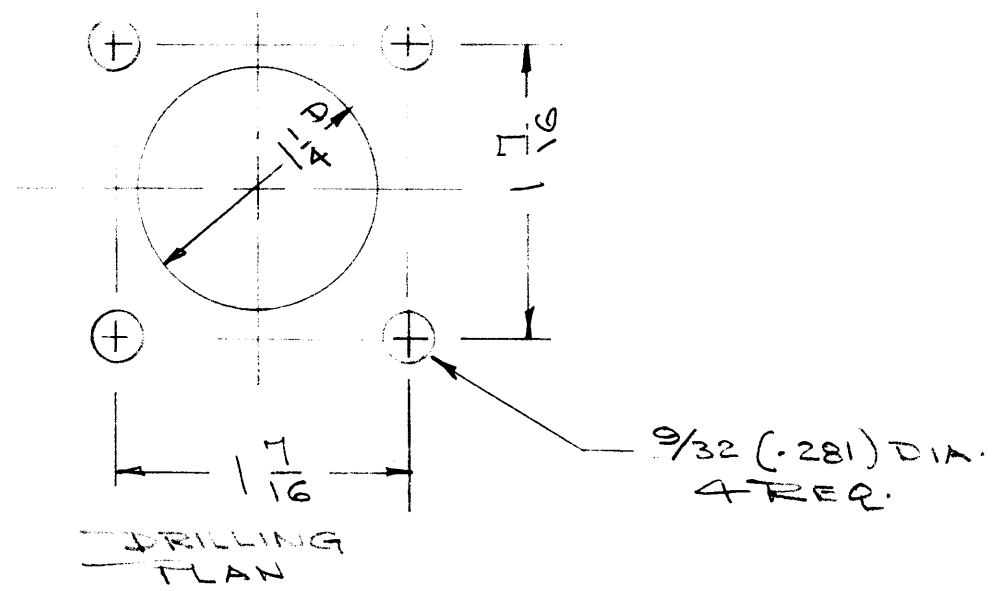
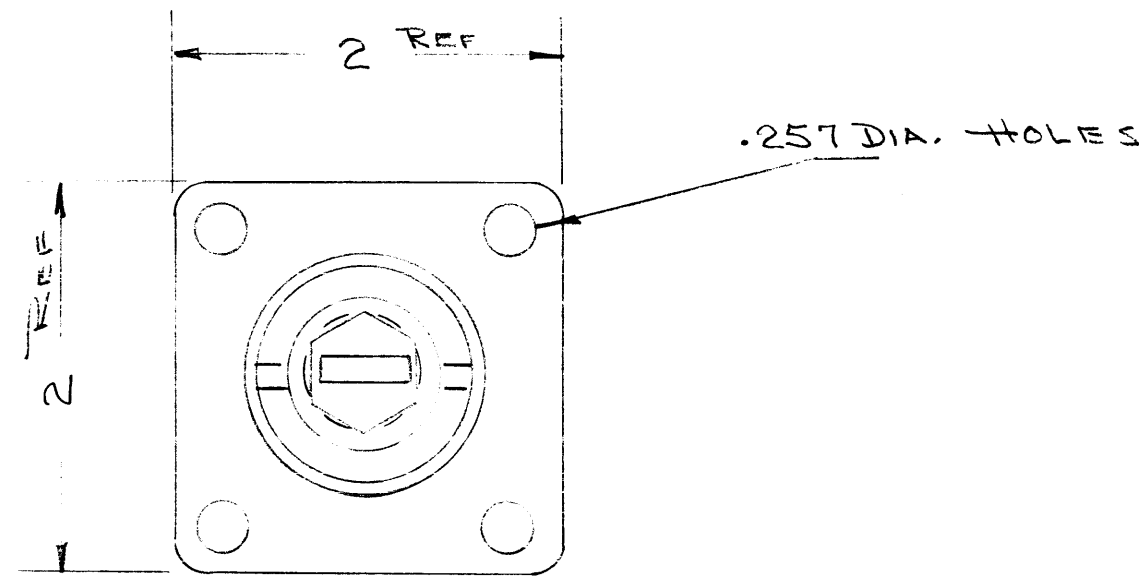
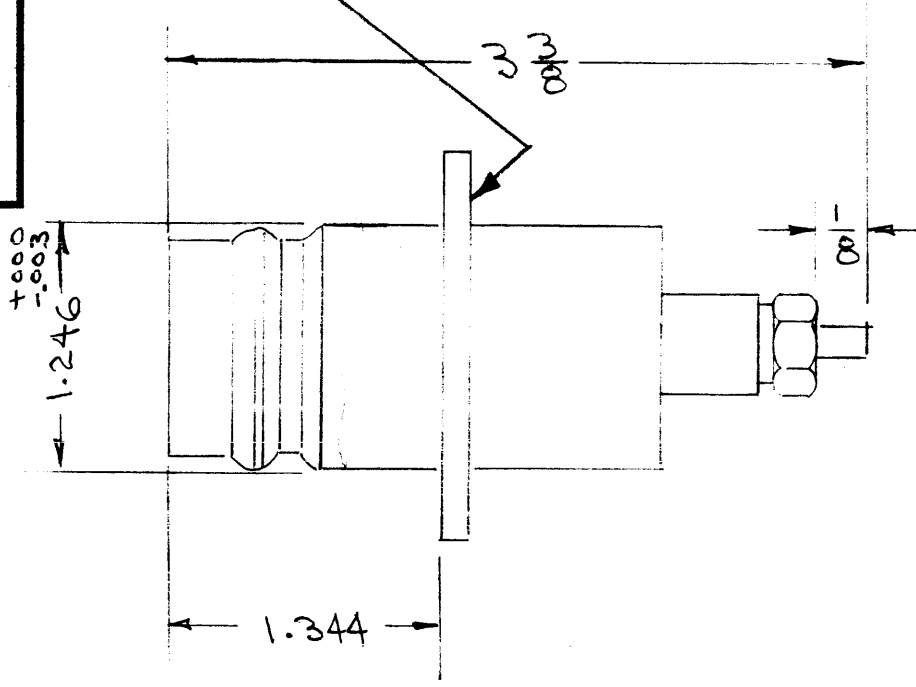
Property of:
 THE TECHNICAL MATERIEL CORPORATION
 MAMARONECK, NEW YORK

SYM	DESCRIPTION	DATE	CH. NO.	DRAFTS	CHECKER	ENG. APP.
UNLESS OTHERWISE SPECIFIED:		SCALE: S-401-70 (861)				
DIMENSIONS ARE IN INCHES		MAXIMUM ALLOWABLE TOLERANCES HAVE BEEN DETERMINED AND ANY DEVIATIONS WILL BE CAUSE FOR REJECTION.				
TOLERANCES ON FRACTIONS ± 1/64 DECIMALS ± .005 ANGLES ± 1/2°		REMOVE ALL BURRS AND SHARP EDGES				

REQ. ITEM	PART NO.	DESCRIPTION	SYMBOL
		THE TECHNICAL MATERIEL CORP. MAMARONECK, NEW YORK	
STOCK SIZE		CONNECTOR, RECEPTACLE	
MATERIAL		QDS	
TYPE & TEMPER	HEAT TREAT. SPEC.	D.J. Mann BROWN	H.W. K... CHECKER
FINISH & SPEC. NO.			FINAL APPROVAL E
ELEC. DES. APP.		MECH. DES. APP.	
		JJ-152	

JJ-163 A

METAL STAMP TMC*JJ-163
 1/8 HIGH GOTHIC



SPECIFICATIONS

SERIES ~ QDL
 NO OF CONTACTS ~ ONE(1)
 TYPE OF CONTACTS ~ FEMALE
 DIELECTRIC ~ TEFLON

ELECTRICAL DATA

MAX. PEAK VOLTAGE ~ 10KV
 NOM. IMPEDANCE ~ 50 Ω

MATING ACCOMODATIONS

TYPE ~

MATERIAL

EXTERNAL PARTS ~ BRASS
 CONTACT ~ BERYLLIUM

FINISH

EXTERNAL PARTS - SILVER PLATE &
 RHODIUM FLASH.
 CONTACTS - SILVER PLATE & GOLD
 FLASH

NOTICE TO PERSONS RECEIVING THIS DRAWING

THE TECHNICAL MATERIEL CORPORATION claims proprietary right in the material disclosed hereon. This drawing is issued in confidence for engineering information only and may not be reproduced or used to manufacture anything shown hereon without permission from THE TECHNICAL MATERIEL CORPORATION to the user. This drawing is loaned for mutual assistance and is subject to recall at any time.

Property of:

THE TECHNICAL MATERIEL CORPORATION
 MAMARONECK, NEW YORK

REF: JJ-137 MODIFIED AS SHOWN

ISSUE	ITEM	CHANGED FROM	DATE	CH. NO.	DRAFTS	CHECKER	ENG. APP.
A	1	SPECIFICATIONS ADDED	5/8/61				
TOLERANCES		SCALE: S-40+70(9210)					
DEC. DIM. ±		MAXIMUM ALLOWABLE TOLERANCES HAVE BEEN DETERMINED AND ANY DEVIATIONS WILL BE CAUSE FOR REJECTION. REMOVE ALL BURRS AND SHARP EDGES					
FRAC. DIM. ±							
ANGULAR DIM. ±							

2	SWR-3000 CU			6-10-58
REQ. PER UNIT	MODEL	PROJECT NO.	ASS'Y. NO.	DATE
USED ON				

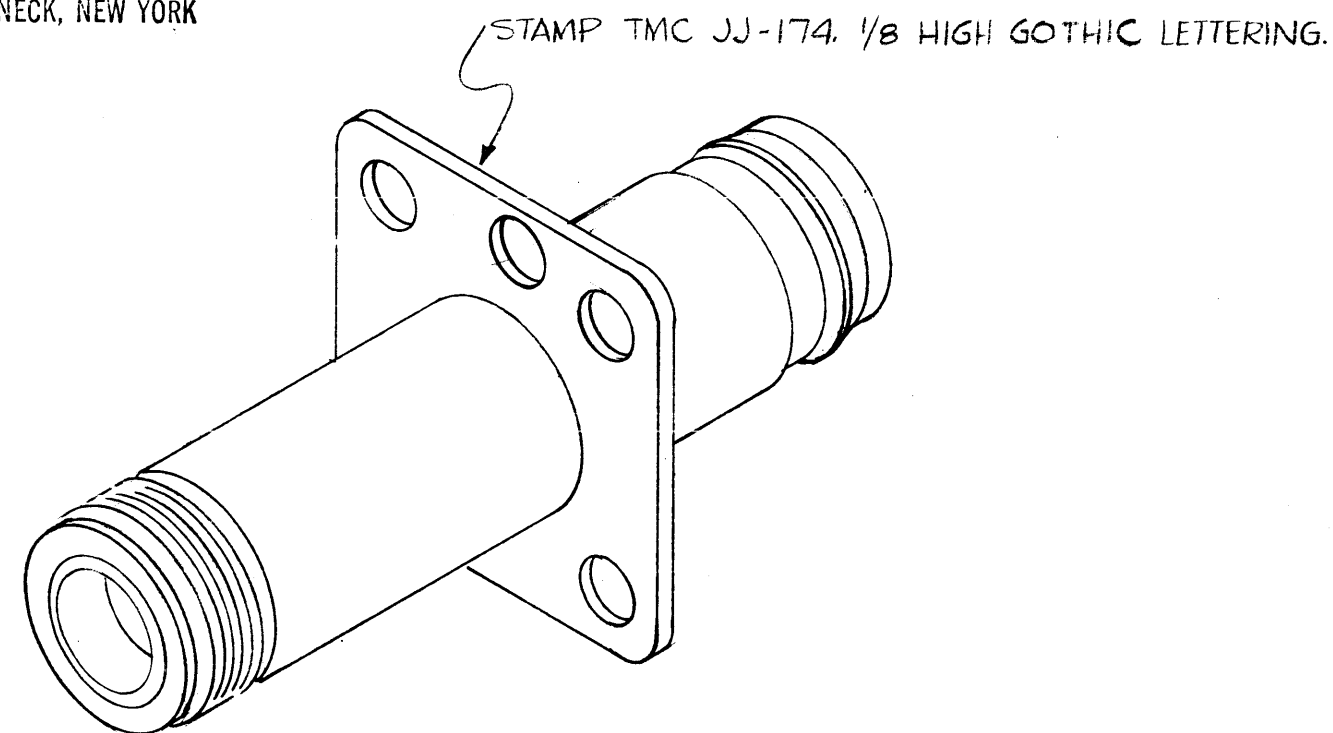
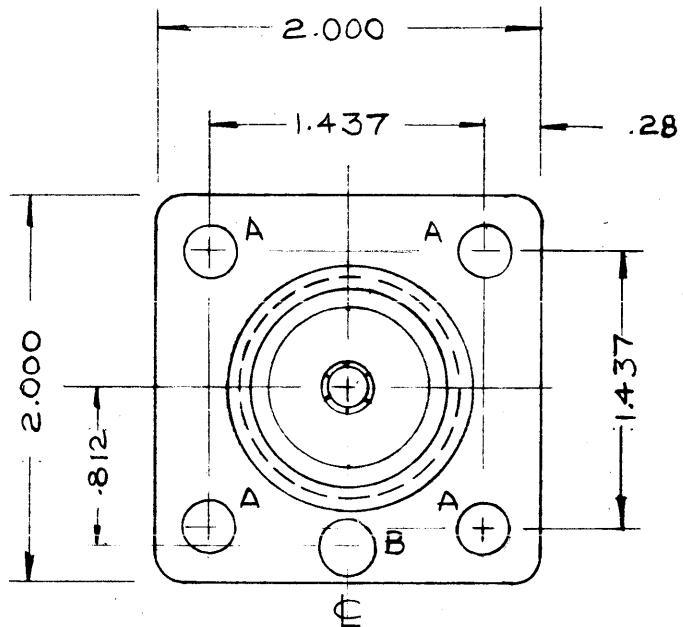
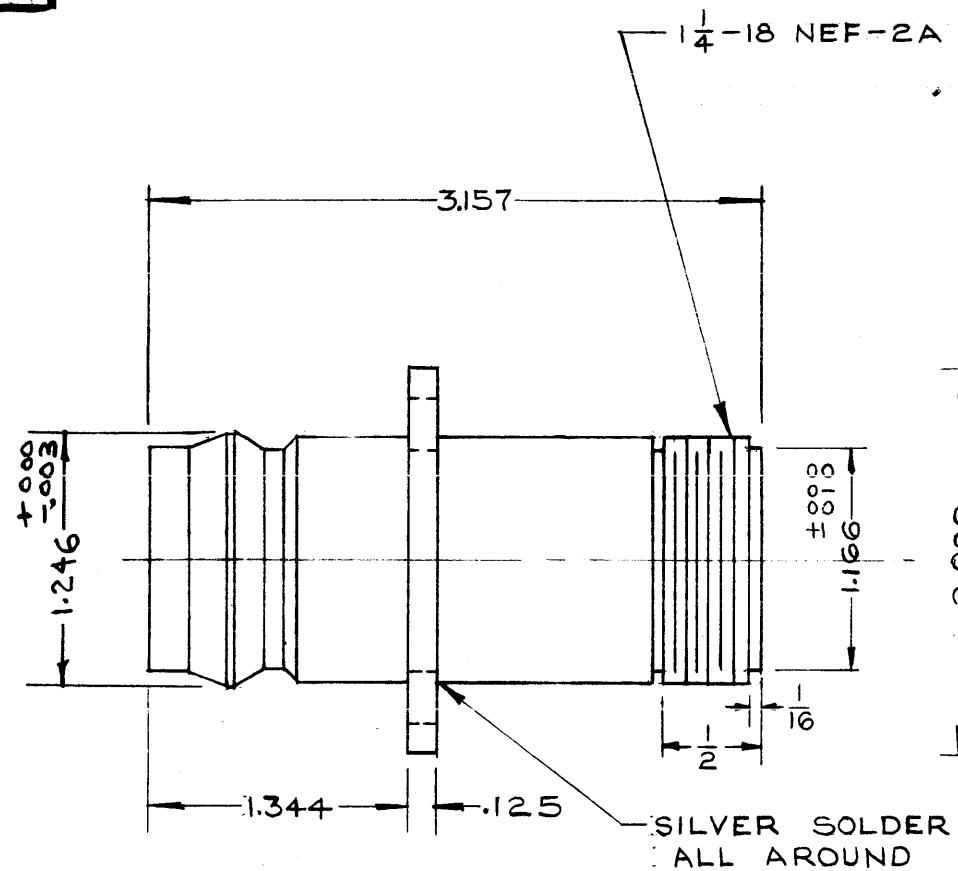
REQ. ITEM	PART NO.	DESCRIPTION	SYMBOL
		THE TECHNICAL MATERIEL CORP. MAMARONECK, NEW YORK	
STOCK SIZE		CONNECTOR, RECEPTACLE	
MATERIAL		QDL	
TYPE & TEMPER	HEAT TREAT. SPEC.	DRAWN	CHECKED
		<i>[Signature]</i>	<i>[Signature]</i>
FINISH & SPEC. NO.		JJ-163 A	
		ELEC. DES. APP.	MECH. DES. APP.

NOTICE TO PERSONS RECEIVING THIS DRAWING A ~ (257) D.
 B ~ 9/32 (281)

4 REQ.
 1 REQ.

THE TECHNICAL MATERIEL CORPORATION claims proprietary right in the material disclosed hereon. This drawing is issued in confidence for engineering information only and may not be reproduced or used to manufacture anything shown hereon without permission from THE TECHNICAL MATERIEL CORPORATION to the user. This drawing is loaned for mutual assistance and is subject to recall at any time.

Property of:
 THE TECHNICAL MATERIEL CORPORATION
 MAMARONECK, NEW YORK



SPECIFICATIONS

SERIES ~ QDL TO LC
 NO OF CONTACTS ~ ONE (1) EACH END
 TYPE OF CONTACT ~ FEMALE
 DIELECTRIC ~ TEFLON

ELECTRICAL DATA

MAX. PEAK OPR. VOLTAGE ~ 1000V
 NOMINAL IMPEDANCE ~ 50Ω

MATERIAL

EXTERNAL PARTS ~ BRASS
 CONTACTS ~ BERYLLIUM COPPER

FINISH

EXTERNAL PARTS ~ SILVER PLATE & RHODIUM FLASH
 CONTACTS ~ SILVER PLATE & GOLD FLASH

REF: MATING PLUG UG-154/U (LC SERIES)

ISSUE	ITEM	CHANGED FROM	DATE	CH. NO.	DRAFTS	CHECKER	ENG. APP.
B		1.837 & 1.246 ± 0.003 DELETED	6-30-66	16484			
A	1	SPECIFICATIONS Added	5/8/61				
TOLERANCES		SCALE: S-401-70 (9031)					
DEC. DIM. \pm		MAXIMUM ALLOWABLE TOLERANCES HAVE BEEN DETERMINED AND ANY DEVIATIONS WILL BE CAUSE FOR REJECTION. REMOVE ALL BURRS AND SHARP EDGES					
FRAC. DIM. $\pm 1/64$							
AN ULAR DIM. \pm							

REQ. PER UNIT	5	QDP-7SP-5	PROJECT NO.		ASS'Y. NO.		DATE	4-13-60
USED ON								

REQ. ITEM	PART NO.	DESCRIPTION	SYMBOL
		THE TECHNICAL MATERIEL CORP. MAMARONECK, NEW YORK	
STOCK SIZE		CONNECTOR, RECEPTACLE	
MATERIAL		QUICK DISCONNECT	
TYPE & TEMPER.	HEAT TREAT. SPE.	DRAWN	CHECKED
S-315		<i>[Signature]</i>	<i>[Signature]</i>
FINISH & SPEC. N.		ELEC. DES. APP.	MECH. DES. APP.
		JJ-174	B

JJ-176

SPECIFICATIONS

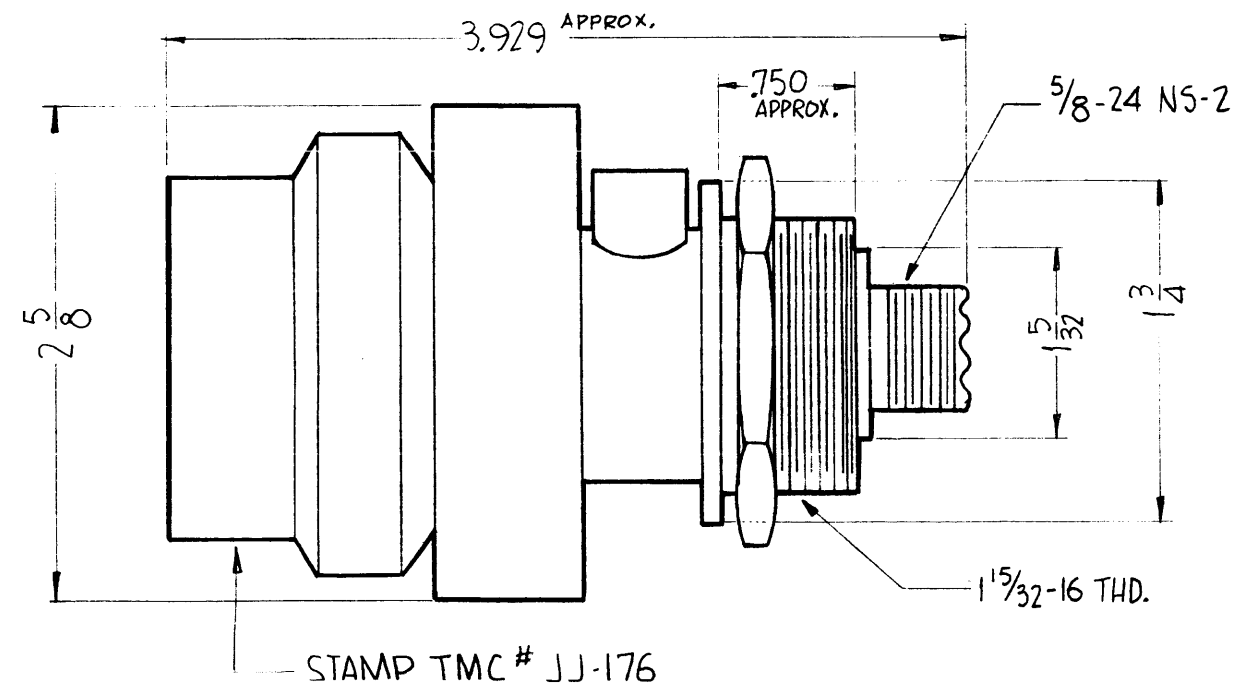
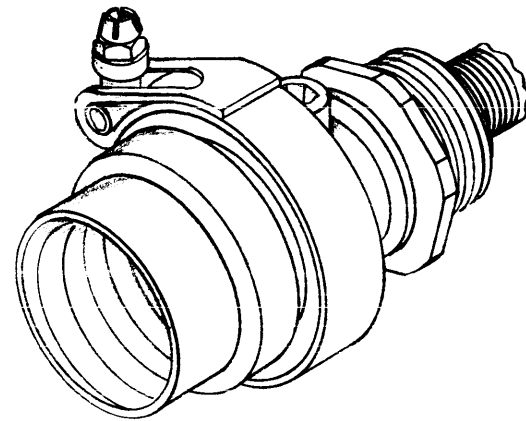
SERIES ~ UHF
 NO OF CONTACTS ~ ONE (1)
 TYPE OF CONTACT ~ FEMALE
 DIELECTRIC ~ TEFLON
ELECTRICAL DATA
 MAX. PEAK OPR. VOLT. ~
 NOMINAL IMPEDANCE ~ 70Ω
CABLE ACCOMODATIONS
 TYPE ~ 1 5/8 STYROFLEX
 MAX. O.D. ~

MATERIAL

EXTERNAL PARTS ~ ALUMINUM
 CONTACTS ~ FEMALE - BERYLLIUM
 MALE - BRASS
 CLAMP - STAINLESS STEEL

FINISH

EXT. PARTS ~ SILVER PLATE & RHODIUM
 FLASH.
 CONTACTS ~ SILVER PLATE & GOLD FLASH



NOTICE TO PERSONS RECEIVING THIS DRAWING

THE TECHNICAL MATERIEL CORPORATION claims proprietary right in the material disclosed herein. This drawing is issued in confidence for engineering information only and may not be reproduced or used to manufacture anything shown hereon without permission from THE TECHNICAL MATERIEL CORPORATION to the user. This drawing is loaned for mutual assistance and is subject to recall at any time.

Property of:
 THE TECHNICAL MATERIEL CORPORATION
 MAMARONECK, NEW YORK

SYM	DESCRIPTION	DATE	CH. NO.	DRAFTS	CHECKER	ENG. APP.
UNLESS OTHERWISE SPECIFIED:		SCALE: S-401-70 (9652)				
DIMENSIONS ARE IN INCHES		MAXIMUM ALLOWABLE TOLERANCES HAVE BEEN DETERMINED AND ANY DEVIATIONS WILL BE CAUSE FOR REJECTION.				
TOLERANCES ON FRACTIONS ± 1/64 DECIMALS ± .005 ANGLES ± 1/2°		REMOVE ALL BURRS AND SHARP EDGES				

REQ. PER UNIT	MODEL	SECTION	ASS'Y. NO.	DATE
	TCA-ST71625/UHF			5/11/61
USED ON				

REQ. ITEM	PART NO.	DESCRIPTION	SYMBOL
		THE TECHNICAL MATERIEL CORP. MAMARONECK, NEW YORK	
STOCK SIZE		CONNECTOR, RECEPTACLE	
MATERIAL		STYROFLEX TO UHF FEMALE, BULKHEAD MOUNT, 1 5/8 - 70 OHMS	
TYPE & TEMPER	HEAT TREAT. SPEC.	DRAWN	CHECKER
FINISH & SPEC. NO.		ELEC. DES. APP.	MECH. DES. APP.
		JJ-176	

STANDARD DRAWING

JJ-177-B

SPECIFICATIONS

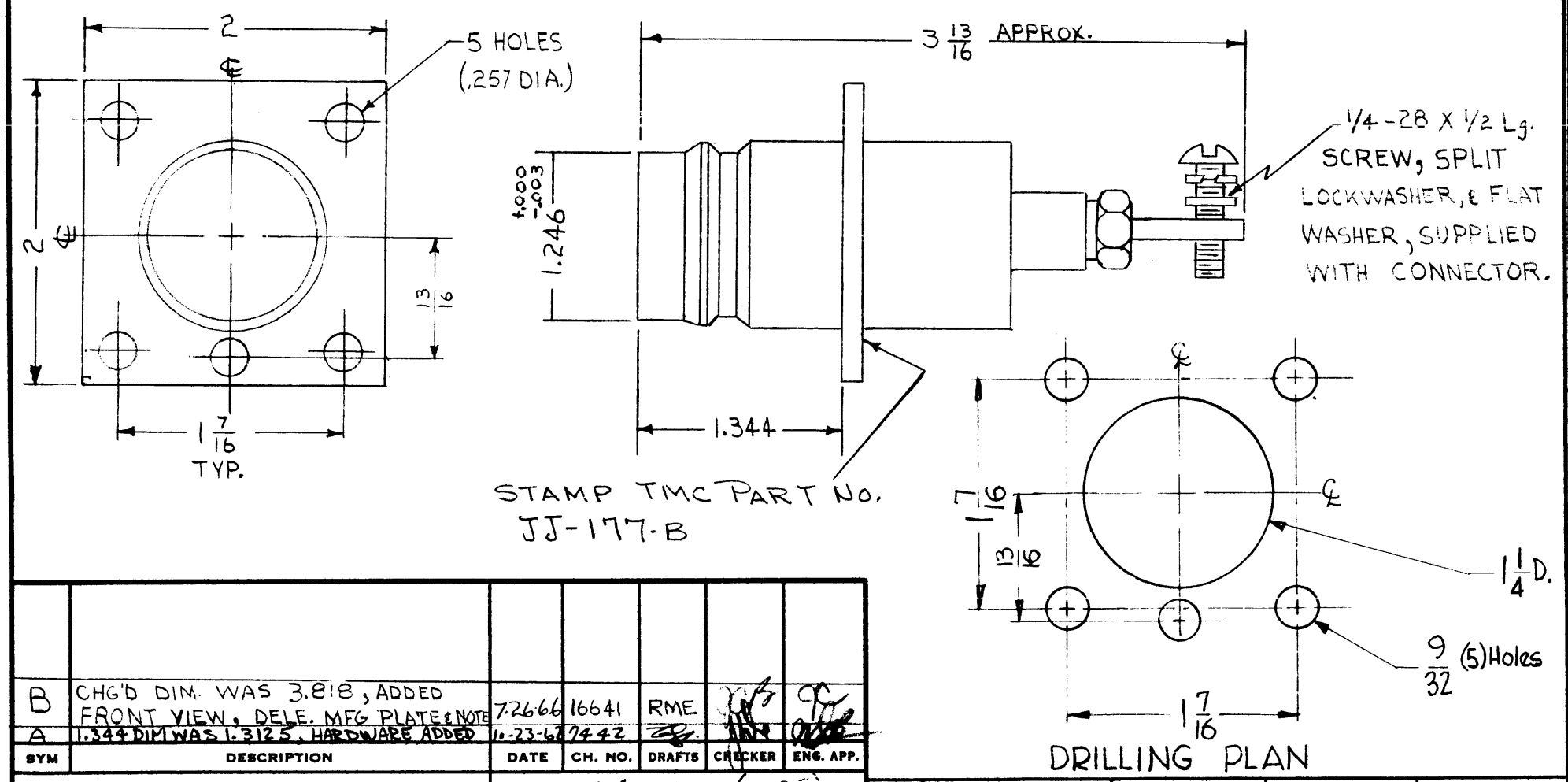
SERIES ~ QDL
 NO OF CONTACTS ~ ONE (1)
 TYPE OF CONTACT ~ FEMALE
 DIELECTRIC ~ TEFLON
 ELECTRICAL DATA
 MAX. PEAK VOLT. ~ 10 KV
 FREQ. LIMIT. ~
 NOM. IMPEDANCE ~ 50 Ω

CABLE ACCOMODATIONS

TYPE ~
 MAX. O.D. ~
 IMPEDANCE ~

MATERIAL

EXTERNAL PARTS ~ BRASS
 CONTACT ~ BERYLLIUM COPPER
 FINISH
 EXT. PARTS ~ SILVER PLATE &
 RHODIUM FLASH.
 CONTACT ~ SILVER PLATE & GOLD
 FLASH.



STAMP TMC PART NO.
 JJ-177-B

NOTICE TO PERSONS RECEIVING THIS DRAWING

THE TECHNICAL MATERIEL CORPORATION claims proprietary right in the material disclosed hereon. This drawing is issued in confidence for engineering information only and may not be reproduced or used to manufacture anything shown hereon without permission from THE TECHNICAL MATERIEL CORPORATION to the user. This drawing is loaned for mutual assistance and is subject to recall at any time.

Property of:
 THE TECHNICAL MATERIEL CORPORATION
 MAMARONECK, NEW YORK

SYM	DESCRIPTION	DATE	CH. NO.	DRAFTS	CHECKER	ENG. APP.
B	CHGD DIM. WAS 3.818, ADDED FRONT VIEW, DELE. MEG PLATE & NOTE	7-26-66	16641	RME		
A	1.344 DIM WAS 1.3125, HARDWARE ADDED	10-23-67	7442			

UNLESS OTHERWISE SPECIFIED:
 DIMENSIONS ARE IN INCHES
 TOLERANCES ON FRACTIONS ± 1/64 DECIMALS ± .005 ANGLES ± 1/2°

SCALE: S-401-70 (1039)

MAXIMUM ALLOWABLE TOLERANCES HAVE BEEN DETERMINED AND ANY DEVIATIONS WILL BE CAUSE FOR REJECTION. REMOVE ALL BURRS AND SHARP EDGES

REQ. PER UNIT	MODEL	SECTION	ASS'Y. NO.	DATE
				5-17-61

USED ON

REQ. ITEM	PART NO.	DESCRIPTION	SYMBOL
		THE TECHNICAL MATERIEL CORP. MAMARONECK, NEW YORK	
		CONNECTOR, RECEPTACLE	
		QDL SERIES	
		DRAWN: <i>J.J. Mann</i> CHECKER: <i>H. De</i> FINAL APPROVAL: <i>SFM</i>	
		ELEC. DES. APP.: <i>JOB</i> MECH. DES. APP.: <i>MC</i>	
		JJ-177	B

JJ-179 A

SPECIFICATIONS

SERIES ~ QDS
 NO. OF CONTACTS ~ ONE (1)
 TYPE OF CONTACT ~ FEMALE
 DIELECTRIC ~ TEFLON

ELECTRICAL DATA

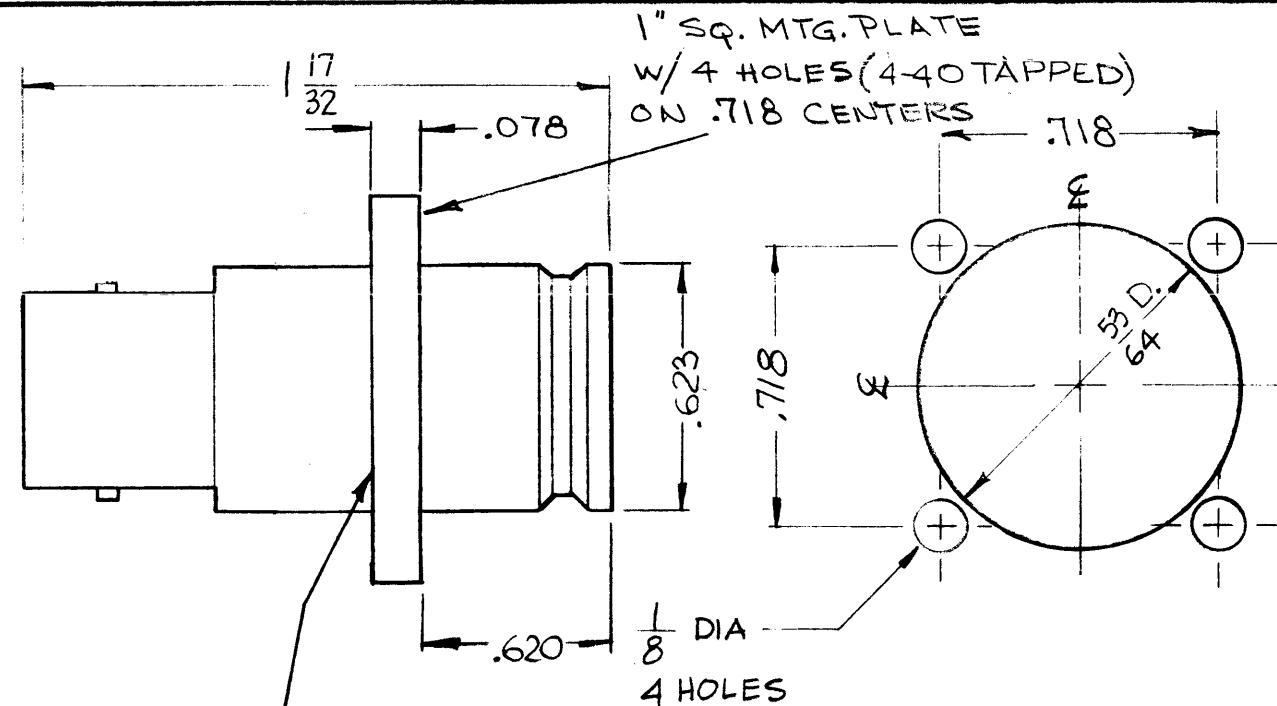
MAX. PEAK VOLTAGE ~
 FREQ. LIMIT ~
 NOMINAL IMPEDANCE ~

MATING ACCOMODATIONS

TYPE ~ C (F)
 MAX. O.D. ~
 IMPEDANCE ~

MATERIAL

EXTERNAL PARTS ~ BRASS
 CONTACT ~ BERYLLIUM
FINISH
 EXTERNAL PARTS ~ SILVER PLATE &
 RHODIUM FLASH.
 CONTACT ~ SILVER PLATE & GOLD
 FLASH.



NOTE:
 METAL STAMP TMC PART
 NUMBER JJ-179 1/8 HIGH GOTHIC.

DRILLING PLAN

NOTICE TO PERSONS RECEIVING THIS DRAWING

THE TECHNICAL MATERIEL CORPORATION claims proprietary right in the material disclosed hereon. This drawing is issued in confidence for engineering information only and may not be reproduced or used to manufacture anything shown herein without permission from THE TECHNICAL MATERIEL CORPORATION to the user. This drawing is loaned for mutual assistance and is subject to recall at any time.

Property of:
 THE TECHNICAL MATERIEL CORPORATION
 MAMARONECK, NEW YORK

SYM	DESCRIPTION	DATE	CH. NO.	DRAFTS	CHECKER	ENG. APP.
A	SIZE & DIM CLARIFIED 3-40 HOLES WERE 1/8	4-12-66	16085	WAS	QCP	MM
UNLESS OTHERWISE SPECIFIED: DIMENSIONS ARE IN INCHES TOLERANCES ON FRACTIONS ± 1/64 DECIMALS ± .005 ANGLES ± 1/2°		SCALE: S-401-70 (1044)				
MAXIMUM ALLOWABLE TOLERANCES HAVE BEEN DETERMINED AND ANY DEVIATIONS WILL BE CAUSE FOR REJECTION. REMOVE ALL BURRS AND SHARP EDGES		REQ. PER UNIT				

REQ. PER UNIT	MODEL	SECTION	ASS'Y. NO.	DATE
				5-17-61
USED ON				

REQ. ITEM	PART NO.	MATERIAL DESCRIPTION	SYMBOL
		THE TECHNICAL MATERIEL CORP. MAMARONECK, NEW YORK	
STOCK SIZE		ADAPTOR, CONNECTOR	
MATERIAL		RECEPTACLE - QDS TO C	
TYPE & TEMPER	HEAT TREAT. SPEC.	DRAWN: D.M. Mann CHECKER: J.S. FINAL APPROVAL: BP	
FINISH & SPEC. NO.	ELEC. DES. APP.	MECH. DES. APP.	JJ-179 A

JJ-190

SPECIFICATIONS

SERIES ~ N
 NO. OF CONTACTS ~ ONE(1)
 TYPE OF CONTACTS ~ FEMALE
 DIELECTRIC ~ TEFLON

ELECTRICAL DATA

MAX. PEAK OPR. VOLTAGE ~
 NOMINAL IMPEDANCE ~ 50 Ohms

MATING ACCOMODATIONS

TCA 85/N ONLY

MATERIAL

EXTERNAL PARTS ~ BRASS
 CONTACTS ~ BERYLLIUM COPPER

FINISH

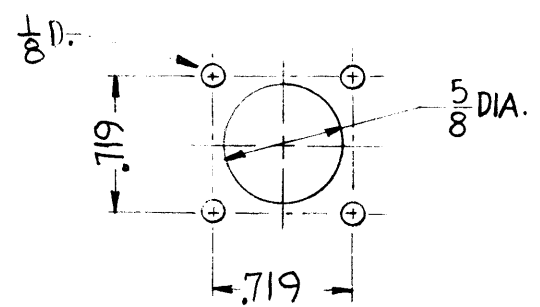
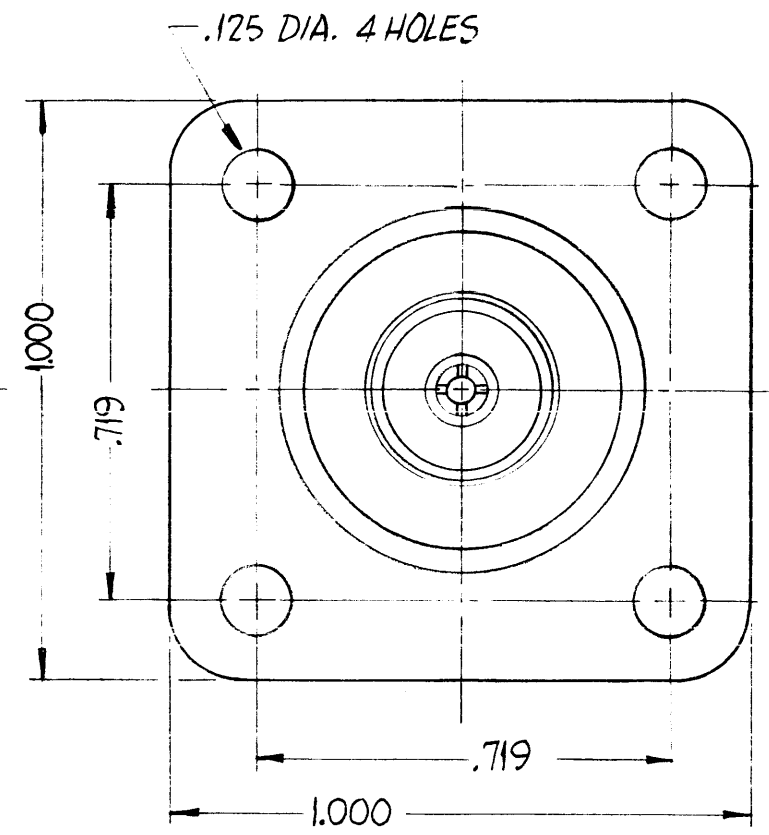
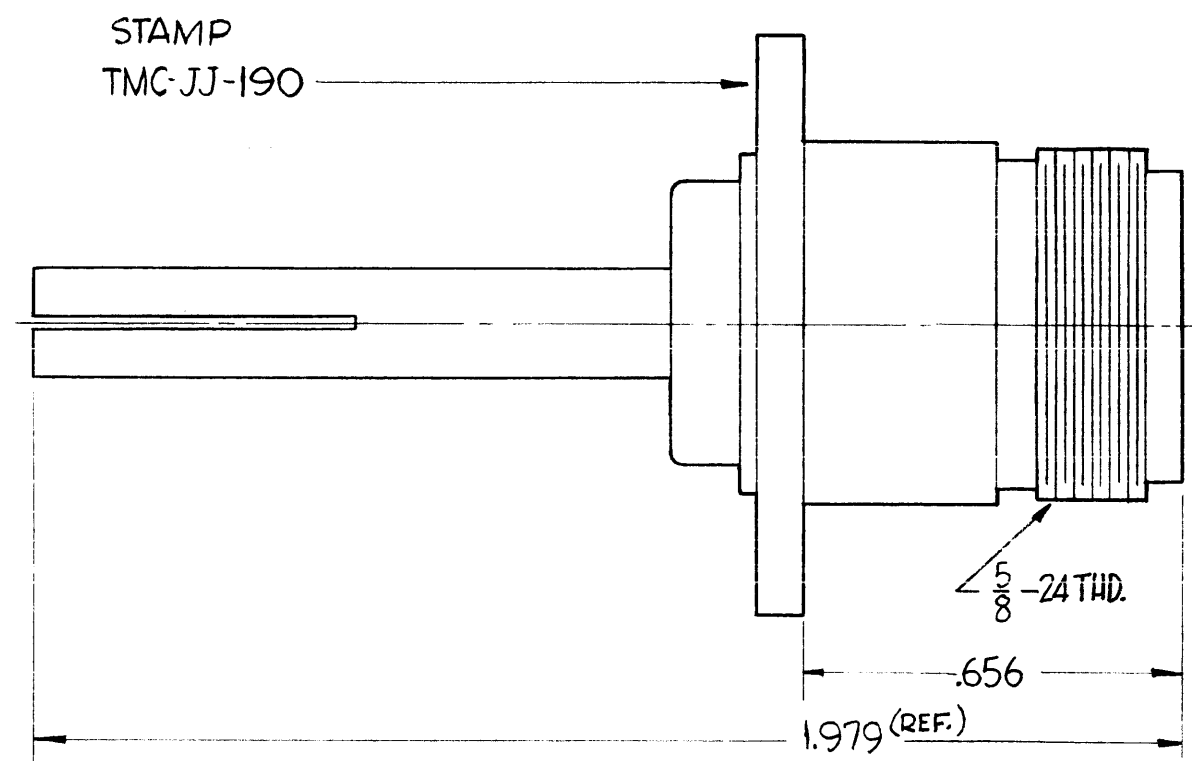
EXTERNAL PARTS ~ SILVER PLATE + RHODUIM FLASH
 CONTACTS ~ SILVER PLATE + GOLD FLASH

NOTICE TO PERSONS RECEIVING THIS DRAWING

THE TECHNICAL MATERIEL CORPORATION claims proprietary right in the material disclosed hereon. This drawing is issued in confidence for engineering information only and may not be reproduced or used to manufacture anything shown hereon without permission from THE TECHNICAL MATERIEL CORPORATION to the user. This drawing is loaned for mutual assistance and is subject to recall at any time.

Property of:

THE TECHNICAL MATERIEL CORPORATION
 MAMARONECK, NEW YORK



MOUNTING DETAIL

SYM	DESCRIPTION	DATE	CH. NO.	DRAFTS	CHECKER	ENG. APP.
UNLESS OTHERWISE SPECIFIED:		SCALE: 5-401-7 (9193)				
DIMENSIONS ARE IN INCHES		MAXIMUM ALLOWABLE TOLERANCES HAVE BEEN DETERMINED AND ANY DEVIATIONS WILL BE CAUSE FOR REJECTION.				
TOLERANCES ON FRACTIONS ± 1/64 DECIMALS ± .005 ANGLES ± 1/2°		REMOVE ALL BURRS AND SHARP EDGES				

REQ. PER UNIT	MODEL	SECTION	ASS'Y. NO.	DATE
	TCA 85/N			5-6-61
USED ON				

REQ. ITEM	PART NO.	DESCRIPTION	SYMBOL
		THE TECHNICAL MATERIEL CORP. MAMARONECK, NEW YORK	
STOCK SIZE		CONNECTOR, RECEPTACLE	
MATERIAL			
TYPE & TEMPER	HEAT TREAT. SPEC.	DRAWN	CHECKER
FINISH & SPEC. NO.		ELEC. DES. APP.	MECH. DES. APP.
		JJ-190	

JJ-195 B

SPECIFICATIONS

SERIES ~ UHF
 NO OF CONTACTS ~ ONE(1)
 TYPE OF CONTACT ~ FEMALE
 DIELECTRIC ~ TEFLON
ELECTRICAL DATA
 MAX. PEAK OPER VOLTAGE ~ 1000V
 NOMINAL IMPEDANCE ~ 50Ω FREQ. LIMIT ~ 10,000 MCS

CABLE ACCOMODATIONS

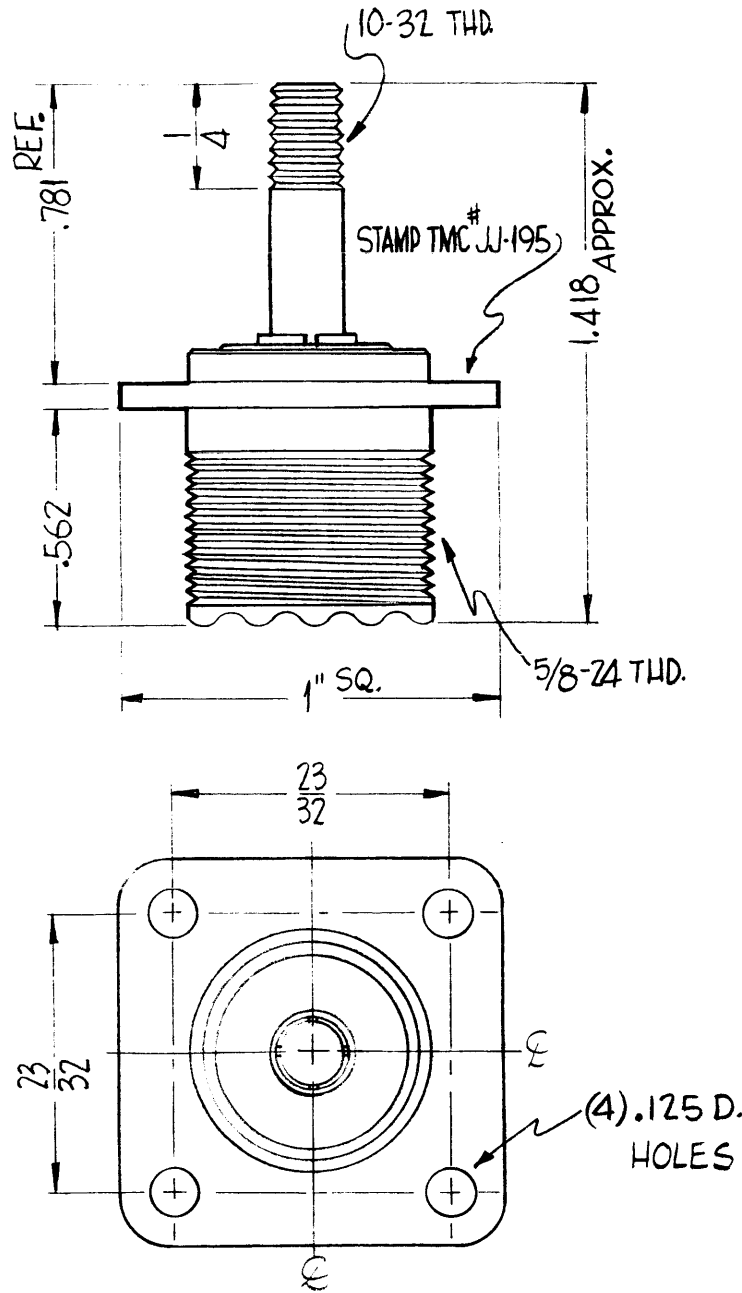
TYPE ~
 MAX. O.D. ~
 IMPEDANCE ~

MATERIAL

EXTERNAL PARTS ~ BRASS
 CONTACTS ~ BERYLLIUM COPPER

FINISH

EXTERNAL PARTS ~ SILVER PLATE, RHODIUM FLASH
 CONTACTS ~ SILVER PLATE, GOLD FLASH



NOTICE TO PERSONS RECEIVING THIS DRAWING

THE TECHNICAL MATERIEL CORPORATION claims proprietary right in the material disclosed hereon. This drawing is issued in confidence for engineering information only and may not be reproduced or used to manufacture anything shown hereon without permission from THE TECHNICAL MATERIEL CORPORATION to the user. This drawing is loaned for mutual assistance and is subject to recall at any time.

Property of:
 THE TECHNICAL MATERIEL CORPORATION
 MAMARONECK, NEW YORK

SYM	DESCRIPTION	DATE	CH. NO.	DRAFTS	CHECKER	ENG. APP.
B	REVISED AND REDRAWN FROM 1 SIZE	5/18/61			DJM	

UNLESS OTHERWISE SPECIFIED:
 DIMENSIONS ARE IN INCHES
 TOLERANCES ON
 FRACTIONS ± 1/64 DECIMALS ± .005 ANGLES ± 1/2°

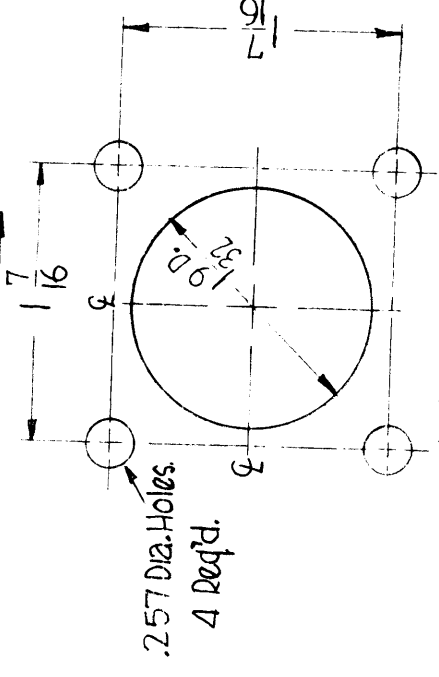
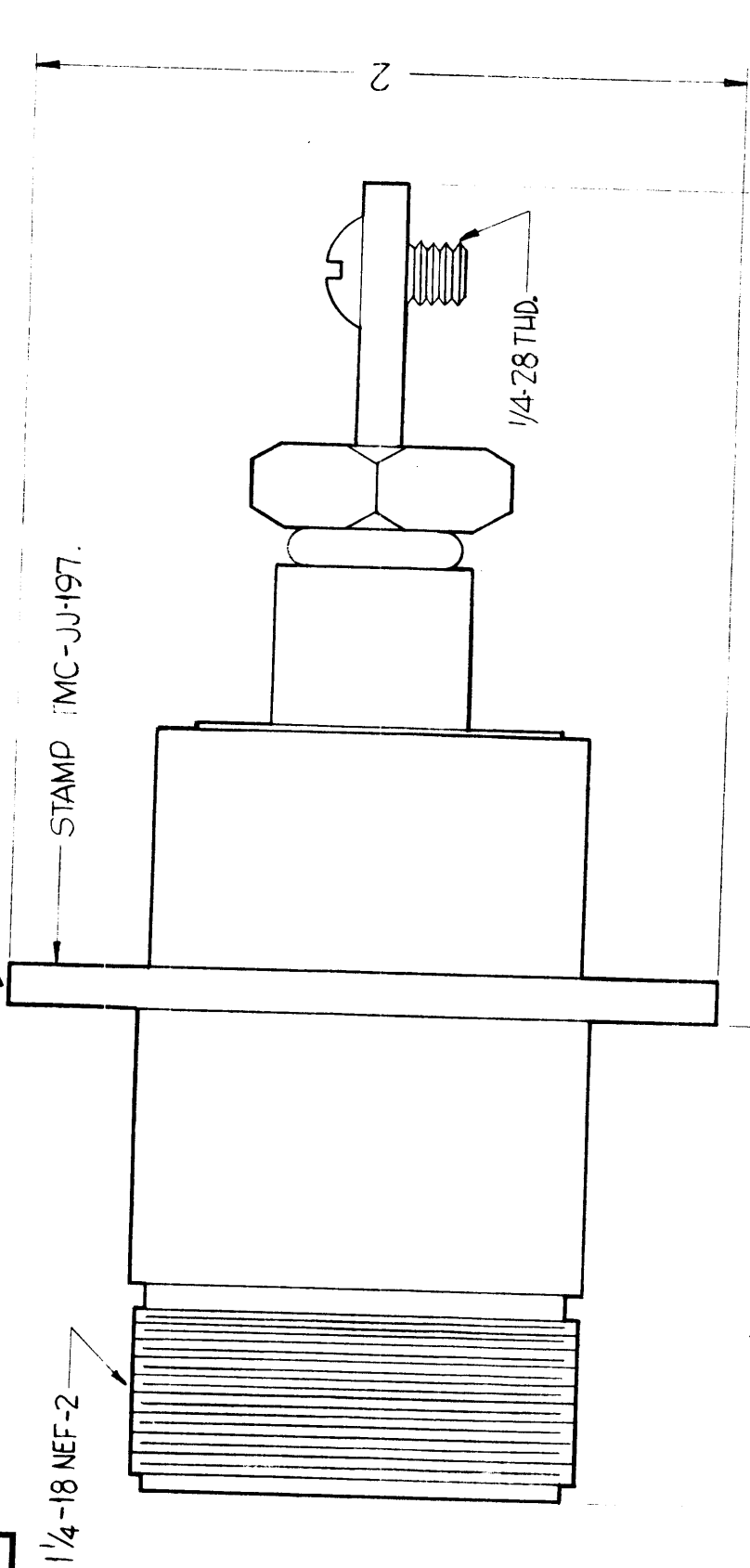
SCALE: _____
 MAXIMUM ALLOWABLE TOLERANCES HAVE BEEN DETERMINED AND ANY DEVIATIONS WILL BE CAUSE FOR REJECTION.
 REMOVE ALL BURRS AND SHARP EDGES

REQ. PER UNIT	MODEL	SECTION	ASS'Y. NO.	DATE
				5-9-61

REQ. ITEM	PART NO.	DESCRIPTION			SYMBOL
		THE TECHNICAL MATERIEL CORP. MAMARONECK, NEW YORK			
		CONNECTOR, RECEPTACLE			
MATERIAL					
		TYPE & TEMPER	HEAT TREAT. SPEC.	DRAWN	CHECKER
				RK	DJM
FINISH & SPEC. NO.					
		ELEC. DES. APP.	MECH. DES. APP.	FINAL APPROVAL	
				JJ-195	
					B

JJ-197

MOUNTING FLANGE 2" SQ.
FOUR (4) .257 DIA HOLES ON 1 1/2 L.
(SEE MOUNTING DETAIL)



SPECIFICATIONS

SERIES ~ LC
NO OF CONTACTS ~ ONE (1)
TYPE OF CONTACT ~ FEMALE
DIELECTRIC ~ TEFLON

ELECTRICAL DATA

MAX. PEAK OPR. VOLTAGE :
NOMINAL IMPEDANCE :

MATERIAL

EXTERNAL PARTS ~ BRASS
CONTACTS ~ BERYLLIUM COPPER

FINISH

EXTERNAL PARTS ~ SILVER PLATE + RHODIUM FLASH
CONTACTS ~ SILVER PLATE + GOLD FLASH.

NOTICE TO PERSONS RECEIVING THIS DRAWING

THE TECHNICAL MATERIEL CORPORATION claims proprietary right in the material disclosed herein. This drawing is issued in confidence for engineering information only and may not be reproduced or used to manufacture anything shown herein without permission from THE TECHNICAL MATERIEL CORPORATION to the user. This drawing is issued for mutual assistance and is subject to recall at any time.

Property of:
THE TECHNICAL MATERIEL CORPORATION
MAMARONECK, NEW YORK

SYM	DESCRIPTION	DATE	CH. NO.	DRAFTS	CHECKER	ENG. APP.
	UNLESS OTHERWISE SPECIFIED: DIMENSIONS ARE IN INCHES TOLERANCES ON FRACTIONS ± 1/64 DECIMALS ± .005 ANGLES ± 1/2°					
	SCALE: S-401-70 (9211) MAXIMUM ALLOWABLE TOLERANCES HAVE BEEN DETERMINED AND ANY DEVIATIONS WILL BE CAUSE FOR REJECTION. REMOVE ALL BURRS AND SHARP EDGES					

REQ. PER UNIT	MODEL	SECTION	ASSY. NO.	DATE
				5-8-61

TMC FORM NO. 109

REQ. ITEM	PART NO.	DESCRIPTION	SYMBOL
		THE TECHNICAL MATERIEL CORP. MAMARONECK, NEW YORK	
		CONNECTOR, RECEPTACLE LC SERIES	
		DRAWN: [Signature]	
		CHECKER: [Signature]	
		FINAL APPROVAL: [Signature]	
		FINISH & SPEC. NO.	JJ-197
		ELEC. DES. APP. MECH. DES. APP.	

SPECIFICATIONS

SERIES ~ QDS
 NO. OF CONTACTS ~ ONE (1)
 TYPE OF CONTACT ~ FEMALE
 DIELECTRIC ~ TEFLON
 ELECTRICAL DATA
 MAX. PEAK OPER. VOLT. ~
 NOMINAL IMPEDANCE ~ 70Ω

ACCOMMODATIONS

TYPE ~ STYROFLEX
 MAX. OD. ~ 1 5/8
 MATERIAL
 EXTERNAL PARTS ~ BRASS
 CONTACT ~ BERYLLIUM COPPER
 CLAMP ~ STAINLESS STEEL

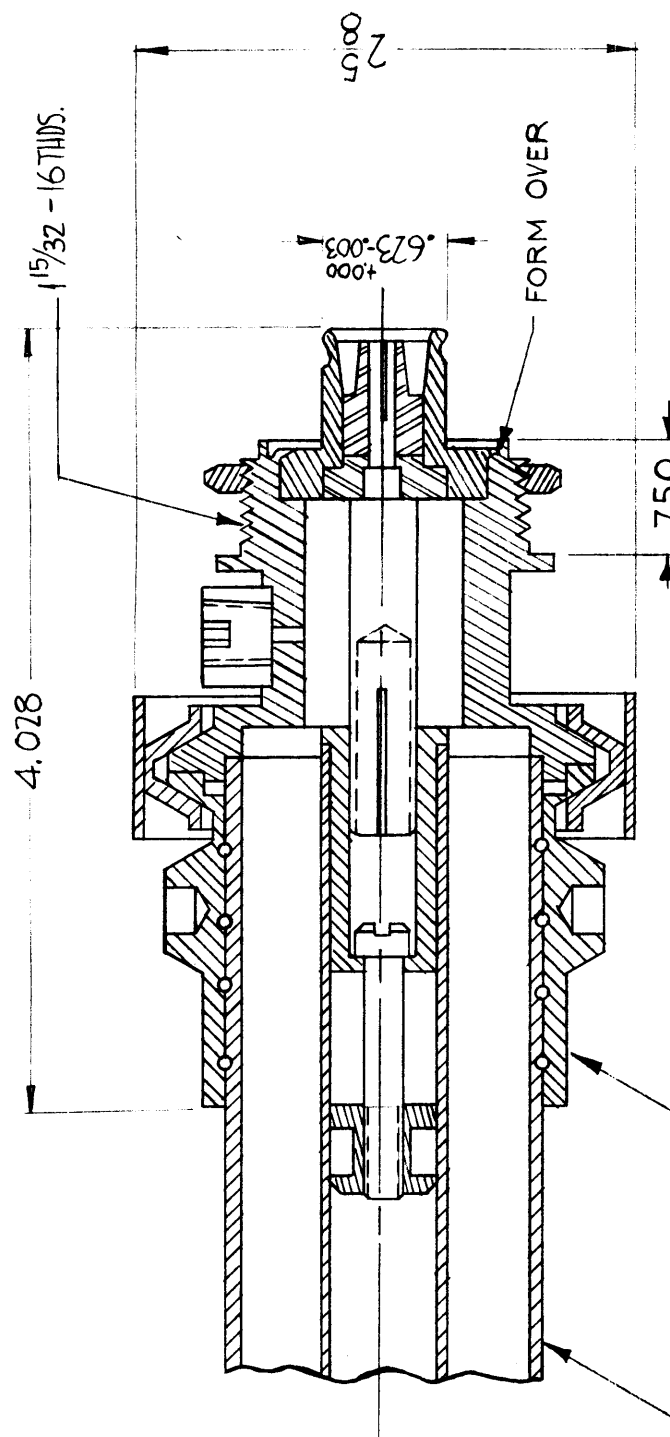
FINISH

EXTERNAL PARTS ~ SILVER PLATE
 RHODIUM FLASH
 CONTACT ~ SILVER PLATE
 GOLD FLASH

INSTALLATION INSTRUCTIONS

1-5/8" Styroflex to QDS (F) Connector
 Refer to Accompanying Assembly Drawing

- Using a sharp tubing cutter, score cable 3" from end. Do not cut through aluminum jacket.
- Using emery cloth, clean a section of the aluminum jacket approximately 1" long centered on scored groove. The emery cloth should be used in shoeshine fashion and all scratches and marks must be removed from jacket. The "O" ring used to seal connector seats against this surface and therefore any scratches or defects may cause leaks in the finished assembly. Brush off sanding dust from jacket.
- Grip end of cable in vise and flex cable gently until the aluminum jacket fractures at the scored groove. Do not break the Styrene sleeve just under the aluminum jacket. Pull back on the cable until about 1/8" of Styrene sleeve is exposed.
- Using hot knife tool, cut Styrene sleeve and Helix down to center conductor flush with aluminum jacket. Pull off short end of jacket and Styrene.
- Saw off center conductor .125 from end of cable. Make saw cut carefully so that end of center conductor is straight and square with cable axis. Remove inside and outside burrs from center conductor, being careful to keep chips out of cable.
- Insert female contact assembly (female contact, anchor screw, and anchor) into center conductor of cable. If anchor is difficult to enter in center conductor, unscrew anchor several turns on screw. Insert screwdriver into head of anchor screw and push straight into center conductor until anchor screw and female contact shoulder. Tighten anchor screw until female contact is firmly seated in center conductor.
- Separate sleeve from connector at clamp.
- Push on wire coil over jacket until coil is entirely on jacket and rear end of coil is approximately 3/8" from end of jacket.
- Push sleeve over cable until wire end enters notch and is in line with thread groove. Turn sleeve clockwise, making certain that wire is engaged in thread and is not turning with sleeve. Turn on sleeve until cable extends beyond sleeve 1/32".
- Grease sleeve "O" ring with "O" ring grease, Dow Corning No. 4 Compound, and install in sleeve.
- Reassemble connector with sleeve by mating center conductor and tightening clamp.



1 5/8 STYROFLEX STAMP TMC PART # JJ-198

PROPERTY OF PERSONS HOLDING THIS DRAWING
 THE TECHNICAL MATERIEL CORPORATION
 MAKES NO WARRANTY OR ASSUMES LIABILITY FOR ANY CLAIMS
 OF INFRINGEMENT IN THIS OR ANY OTHER DRAWING.
 THIS DRAWING IS ISSUED IN CONFIDENCE AND IS NOT TO BE
 REPRODUCED OR TRANSMITTED IN ANY FORM OR BY ANY MEANS,
 ELECTRONIC OR MECHANICAL, INCLUDING PHOTOCOPYING, RECORDING,
 OR BY ANY INFORMATION STORAGE AND RETRIEVAL SYSTEM, WITHOUT
 PERMISSION FROM THE TECHNICAL MATERIEL CORPORATION.
 THE DRAWING IS LOANED FOR MUTUAL ASSISTANCE AND IS SUBJECT TO RECALL AT ANY TIME.

Property of
 THE TECHNICAL MATERIEL CORPORATION
 MAMARONECK, NEW YORK

REQ. ITEM	PART NO.	DESCRIPTION	SYMBOL
		THE TECHNICAL MATERIEL CORP. MAMARONECK, NEW YORK	
	STOCK SIZE	CONNECTOR, RECEPTACLE	
	MATERIAL	1 5/8, 70Ω STYROFLEX TO QDS.	
	TYPE & TEMPER	DRAWN	CHECKER
	HEAT TREAT. SPEC.		FINAL APPROVAL
	FINISH & SPEC. NO.		JJ-198
		ELEC. DES. APP.	MECH. DES. APP.

REQ. PER UNIT	MODEL	SECTION	ASSY. NO.	DATE
	TCA-ST71625/QDS			1-31-61
USED ON				

UNLESS OTHERWISE SPECIFIED:
 DIMENSIONS ARE IN INCHES
 TOLERANCES ON FRACTIONS ± 1/64 DECIMALS ± .005 ANGLES ± 1/2°
 REMOVE ALL BURRS AND SHARP EDGES