

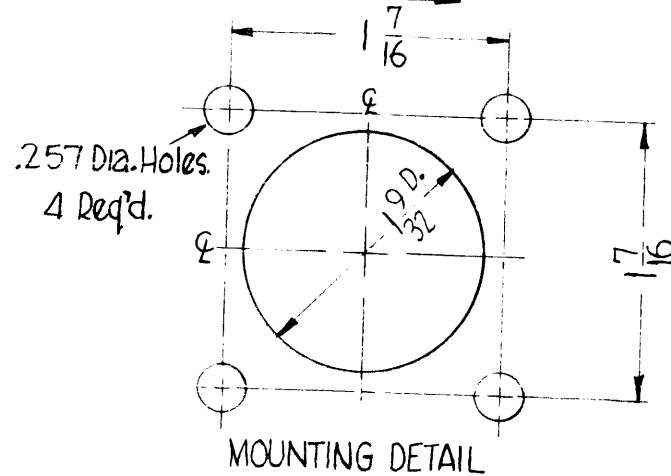
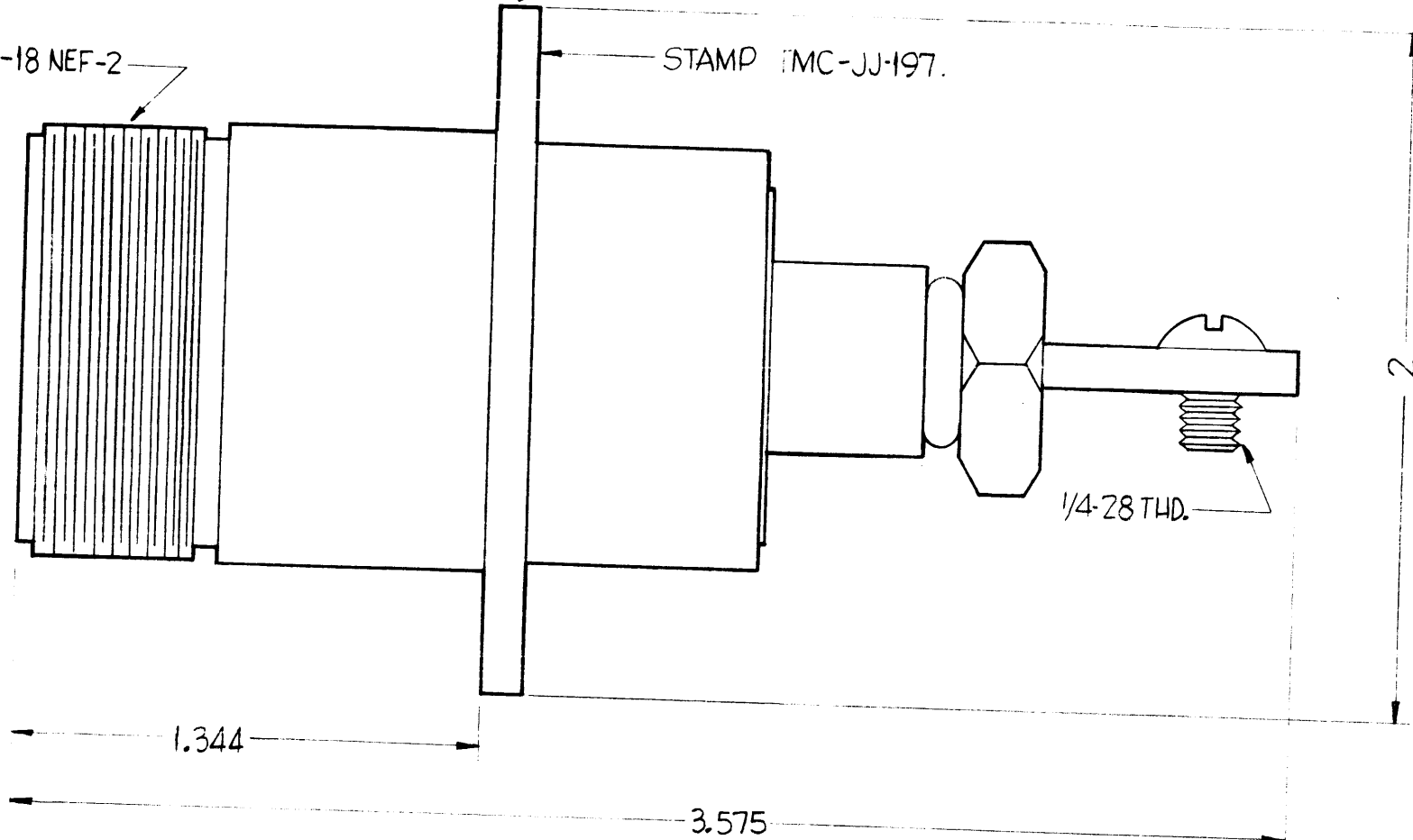
JJ-197

MOUNTING FLANGE 2" SQ.
FOUR (4) .257 DIA HOLES ON $1\frac{7}{16}$ P.
(SEE MTG. DETAIL)

$1\frac{1}{4}$ -18 NEF-2

STAMP TMC-JJ-197.

$1\frac{1}{4}$ -28 THD.



SPECIFICATIONS

SERIES ~ LC
NO OF CONTACTS ~ ONE (1)
TYPE OF CONTACT ~ FEMALE
DIELECTRIC ~ TEFLON

ELECTRICAL DATA

MAX. PEAK OPR. VOLTAGE :
NOMINAL IMPEDANCE :

MATERIAL

EXTERNAL PARTS ~ BRASS
CONTACTS ~ BERYLLIUM COPPER

FINISH

EXTERNAL PARTS ~ SILVER PLATE + RHODIUM FLASH
CONTACTS ~ SILVER PLATE + GOLD FLASH.

NOTICE TO PERSONS RECEIVING THIS DRAWING

THE TECHNICAL MATERIEL CORPORATION claims proprietary right in the material disclosed hereon. This drawing is issued in confidence for engineering information only and may not be reproduced or used to manufacture anything shown hereon without permission from THE TECHNICAL MATERIEL CORPORATION to the user. This drawing is loaned for mutual assistance and is subject to recall at any time.

Property of:

THE TECHNICAL MATERIEL CORPORATION
MAMARONECK, NEW YORK

SYM	DESCRIPTION	DATE	CH. NO.	DRAFTS	CHECKER	ENG. APP.
UNLESS OTHERWISE SPECIFIED:						
DIMENSIONS ARE IN INCHES						
TOLERANCES ON						
FRACTIONS $\pm 1/64$ DECIMALS $\pm .005$ ANGLES $\pm 1/2^\circ$						
SCALE: S-401-70 (9211)		MAXIMUM ALLOWABLE TOLERANCES HAVE BEEN DETERMINED AND ANY DEVIATIONS WILL BE CAUSE FOR REJECTION. REMOVE ALL BURRS AND SHARP EDGES				

REQ. PER UNIT	MODEL	SECTION	ASS'Y. NO.	DATE
				5-8-61

REQ. ITEM	PART NO.	DESCRIPTION	SYMBOL
THE TECHNICAL MATERIEL CORP. MAMARONECK, NEW YORK			
CONNECTOR, RECEPTACLE			
LC SERIES			
MATERIAL		DRAWN	CHECKER
TYPE & TEMPER		HEAT TREAT. SPEC.	FINAL APPROVAL
FINISH & SPEC. NO.		ELEC. DES. APP.	MECH. DES. APP.
		JJ-197	