

CONTACTS	MFG. #
4 PIN	126-214
4 SOCKET	Unavail.
5 PIN	126-216
5 SOCKET	126-218
7 PIN	126-197
7 SOCKET	126-198
9 PIN	126-219
9 SOCKET	126-221

REQ. PER UNIT	USED ON		
	MODEL	ASS'Y. NO.	DATE
2	CHG		10-7-60

JJ-193

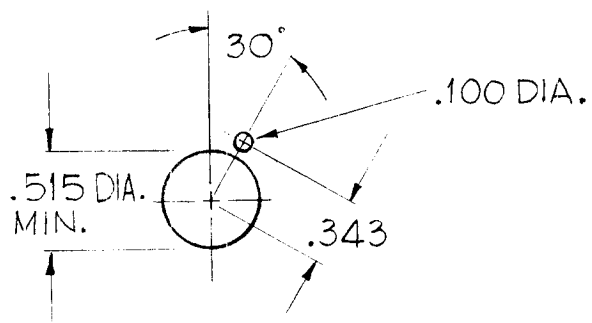
ELECTRICAL SPEC.

VOLTAGE BREAKDOWN:
2,000V RMS 60 CPS
AT SEA LEVEL.

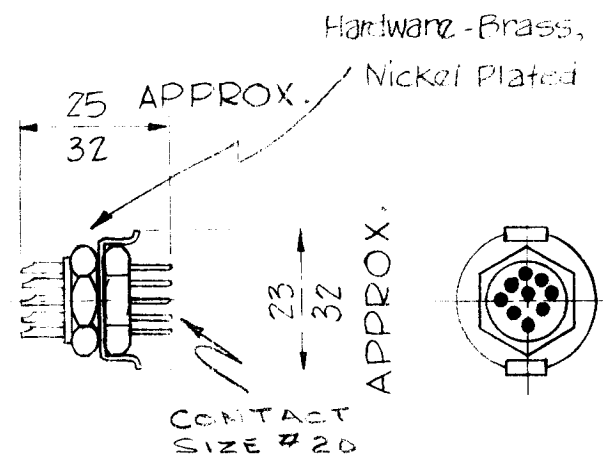
700V RMS 60 CPS AT
50,000 FT. ALTITUDE

CURRENT RATING:
7.5 AMPS.

CONTACTS-SILVER BASE
PLATED, GOLD FINISH



MOUNTING DETAIL



TMC PARTNUMBER TO BE IN THE FOLLOWING FORM:

JJ-193 - 9 - P

Basic TMC
Part #

NO of CONTACTS
AVAILABLE
IN 4, 5, 7, & 9

POLARITY
P= MALE (PIN)
S= FEMALE (SOCKET)

NOTE ~ MATES WITH TMC NO. PL-189

ISSUE	ITEM	CHANGED FROM	DATE	CH. NO.	DRAFTS	CHECKER	ENG. APP.	REQ.	ITEM	PART NO.	DESCRIPTION	SYMBOL	
											THE TECHNICAL MATERIEL CORP. MAMARONECK, NEW YORK CONNECTOR, RECEPTACLE - MINATURE HEXAGON		
TOLERANCES			SCALE:										
DEC. DIM. ± FRAC. DIM. ± ANGULAR DIM. ±			MAXIMUM ALLOWABLE TOLERANCES HAVE BEEN DETERMINED AND ANY DEVIATIONS WILL BE CAUSE FOR REJECTION. REMOVE ALL BURRS AND SHARP EDGES										
											J.C. Biele		
											Checked		
											Final Approval		
												JJ-193	