

JJ-190

SPECIFICATIONS

SERIES ~ N  
 NO. OF CONTACTS ~ ONE(1)  
 TYPE OF CONTACTS ~ FEMALE  
 DIELECTRIC ~ TEFLON

ELECTRICAL DATA

MAX. PEAK OPR. VOLTAGE ~  
 NOMINAL IMPEDANCE ~ 50 Ohms

MATING ACCOMODATIONS

TCA 85/N ONLY

MATERIAL

EXTERNAL PARTS ~ BRASS  
 CONTACTS ~ BERYLLIUM COPPER

FINISH

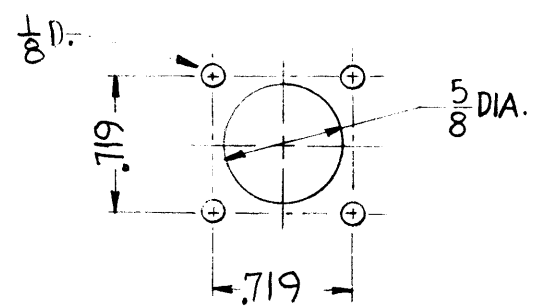
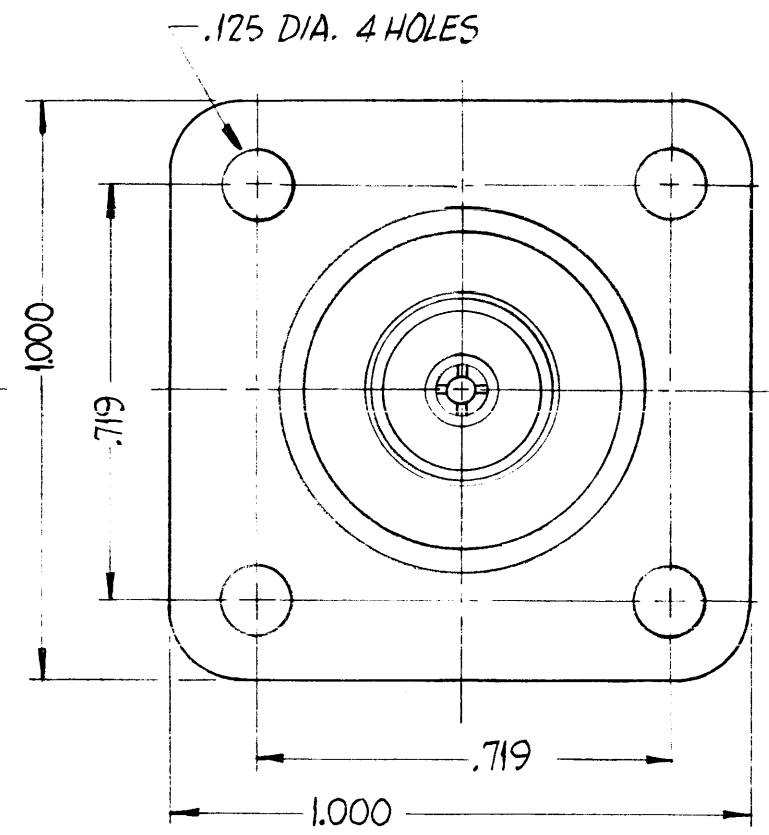
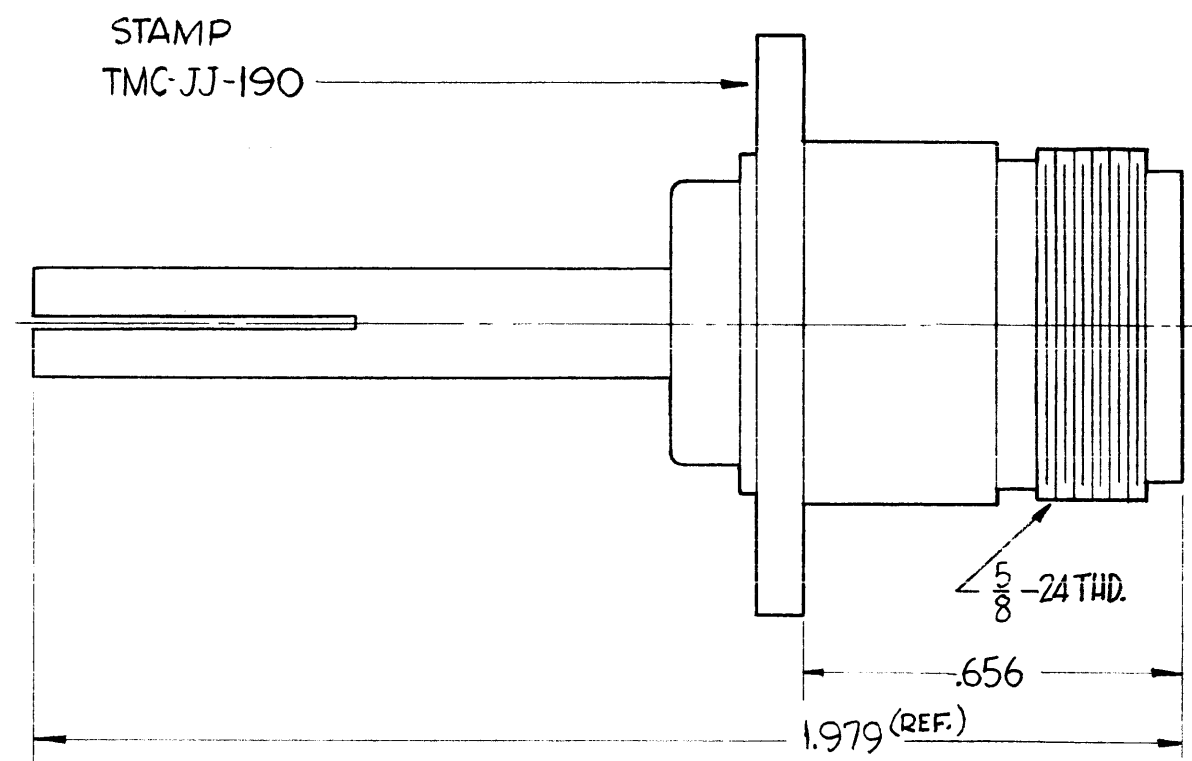
EXTERNAL PARTS ~ SILVER PLATE + RHODUIM FLASH  
 CONTACTS ~ SILVER PLATE + GOLD FLASH

NOTICE TO PERSONS RECEIVING THIS DRAWING

THE TECHNICAL MATERIEL CORPORATION claims proprietary right in the material disclosed hereon. This drawing is issued in confidence for engineering information only and may not be reproduced or used to manufacture anything shown hereon without permission from THE TECHNICAL MATERIEL CORPORATION to the user. This drawing is loaned for mutual assistance and is subject to recall at any time.

Property of:

THE TECHNICAL MATERIEL CORPORATION  
 MAMARONECK, NEW YORK



MOUNTING DETAIL

| SYM                                                          | DESCRIPTION | DATE                                                                                              | CH. NO. | DRAFTS | CHECKER | ENG. APP. |
|--------------------------------------------------------------|-------------|---------------------------------------------------------------------------------------------------|---------|--------|---------|-----------|
| UNLESS OTHERWISE SPECIFIED:                                  |             | SCALE: 5-401-7 (9193)                                                                             |         |        |         |           |
| DIMENSIONS ARE IN INCHES                                     |             | MAXIMUM ALLOWABLE TOLERANCES HAVE BEEN DETERMINED AND ANY DEVIATIONS WILL BE CAUSE FOR REJECTION. |         |        |         |           |
| TOLERANCES ON FRACTIONS ± 1/64 DECIMALS ± .005 ANGLES ± 1/2° |             | REMOVE ALL BURRS AND SHARP EDGES                                                                  |         |        |         |           |

| REQ. PER UNIT | MODEL    | SECTION | ASS'Y. NO. | DATE   |
|---------------|----------|---------|------------|--------|
|               | TCA 85/N |         |            | 5-6-61 |
| USED ON       |          |         |            |        |

| REQ. ITEM          | PART NO.          | DESCRIPTION                                          | SYMBOL          |
|--------------------|-------------------|------------------------------------------------------|-----------------|
|                    |                   | THE TECHNICAL MATERIEL CORP.<br>MAMARONECK, NEW YORK |                 |
| STOCK SIZE         |                   | CONNECTOR, RECEPTACLE                                |                 |
| MATERIAL           |                   |                                                      |                 |
| TYPE & TEMPER      | HEAT TREAT. SPEC. | DRAWN                                                | CHECKER         |
| FINISH & SPEC. NO. |                   | ELEC. DES. APP.                                      | MECH. DES. APP. |
|                    |                   | JJ-190                                               |                 |