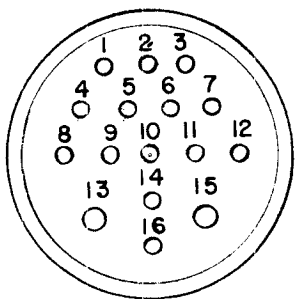
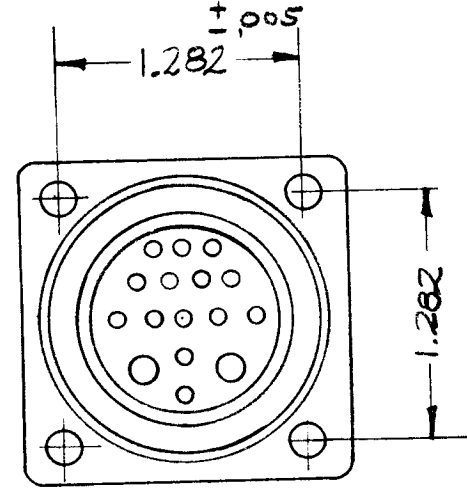
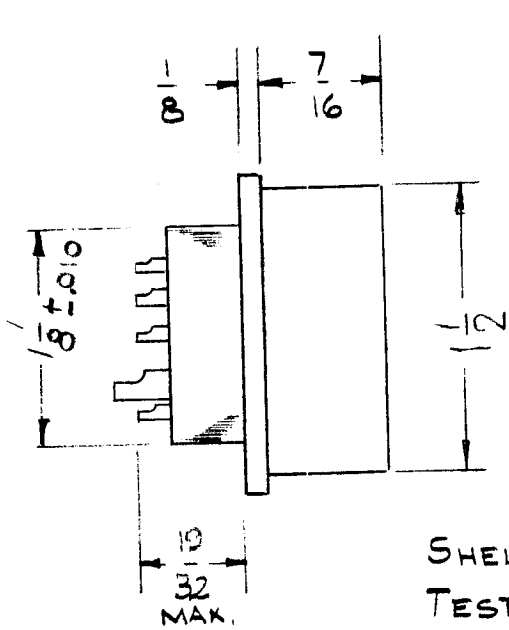
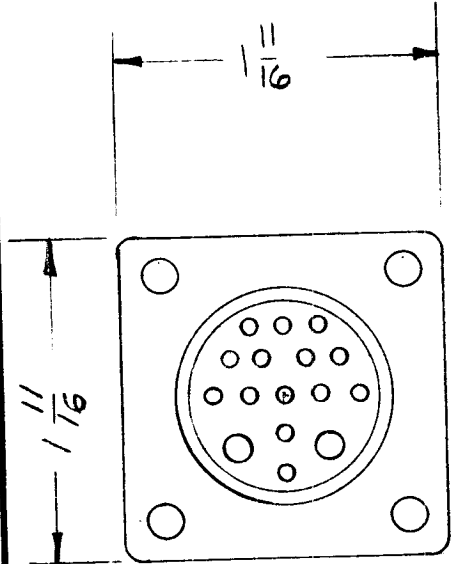


REQ. PER UNIT 3	USED ON			JJ-184	A
	MODEL CPP-2	ASS'Y. NO.	DATE		



SHELL - ALUMINUM ALLOY - CADMIUM PLATE  
 TEST VOLT 1300 VRMS 60 CPS  
 CONTACTS - 14 - #16 WIRES, 1-12 INCL. + 14 + 16  
 2 - #10 WIRES, 13 & 15  
 CONTACT CURRENT RATING #10-30 AMPS  
 #16-10 AMPS  
 CONTACTS - BRASS, SILVER PLATED  
 MATES: W/PL-187

							REQ. ITEM	PART NO.	DESCRIPTION	SYMBOL		
									THE TECHNICAL MATERIEL CORP.			
									MAMARONECK, NEW YORK			
									CONNECTOR RECEPTACLE,			
									FEMALE, 16 CONTACTS			
A	1	DIM. 1 1/2 ADDED	11-16-60	3468	WZ	WZ						
ISSUE	ITEM	CHANGED FROM	DATE	CH. NO.	DRAFTS	CHECKER	ENG. APP.					
TOLERANCES			SCALE: S-401-91 (RSK C12-315L)									
DEC. DIM. ± FRAC. DIM. ± ANGULAR DIM. ±			MAXIMUM ALLOWABLE TOLERANCES HAVE BEEN DETERMINED AND ANY DEVIATIONS WILL BE CAUSE FOR REJECTION: REMOVE ALL BURRS AND SHARP EDGES									
							TYPE & TEMPER	HEATTREAT. SPEC.	DRAWN	CHECKED	FINAL APPROVAL	
							FINISH & SPEC. NO.					
											JJ-184	A