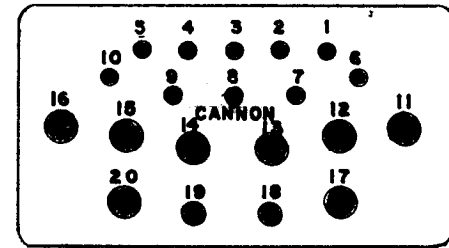
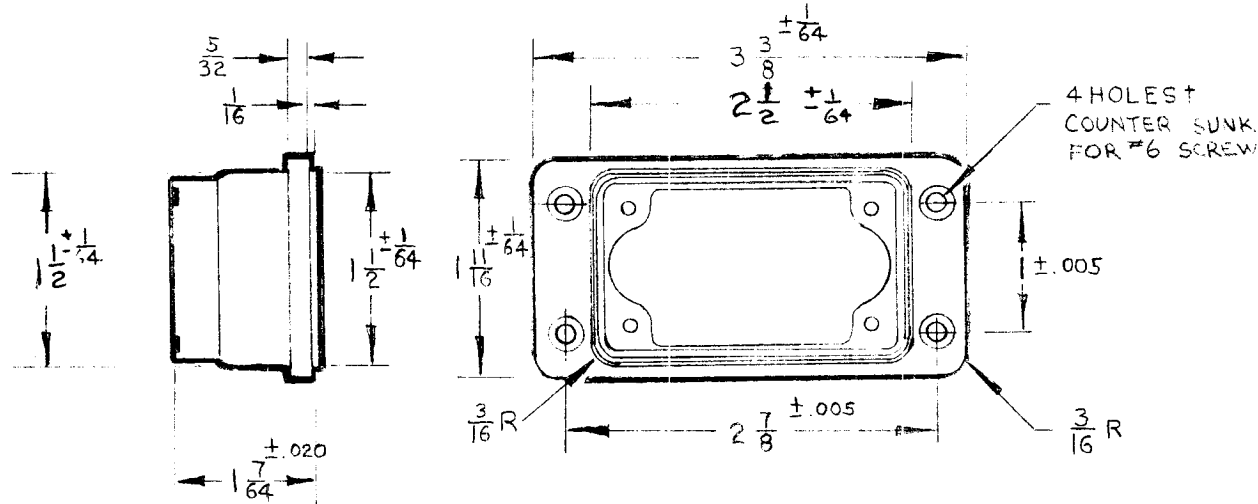


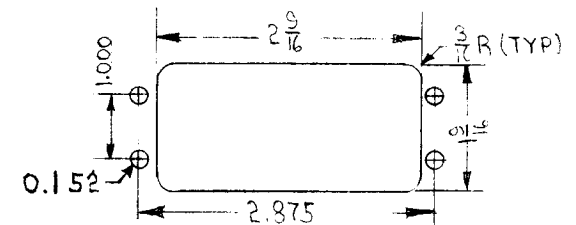
REQ. PER UNIT 1	USED ON			JJ-180	A
	MODEL	ASS'Y. NO.	DATE		
		GPT-40K	1-21-60		



INSERT ARRANGEMENTS



4 HOLES +
COUNTER SUNK
FOR #6 SCREW



MOUNTING DETAIL

ISSUE	ITEM	CHANGED FROM	DATE	CH. NO.	DRAFTS	CHECKER	ENG. APP.	REQ.	ITEM	PART NO.	DESCRIPTION	SYMBOL		
											THE TECHNICAL MATERIEL CORP. MAMARONECK, NEW YORK CONNECTOR RECEPTACLE, ELECTRICAL (MALE)	A		
										STOCK SIZE				
										MATERIAL				
A		TO 4 HOLES ADD COUNTER SUNK FOR #6 SCREW.	8-9-66	16738	RME	<i>[Signature]</i>	<i>[Signature]</i>							
TOLERANCES			SCALE: S-401-91 (DPD-G20-34P-16)											
DEC. DIM. ± FRAC. DIM. ± ANGULAR DIM. ±			MAXIMUM ALLOWABLE TOLERANCES HAVE BEEN DETERMINED AND ANY DEVIATIONS WILL BE CAUSE FOR REJECTION. REMOVE ALL BURRS AND SHARP EDGES							TYPE & TEMPER	HEAT TREAT. SPEC.	DRAWN	CHECKED	FINAL APPROVAL
										FINISH & SPEC. NO.	ELEC. DES. APP	MECH. DES. APP	JJ-180	A