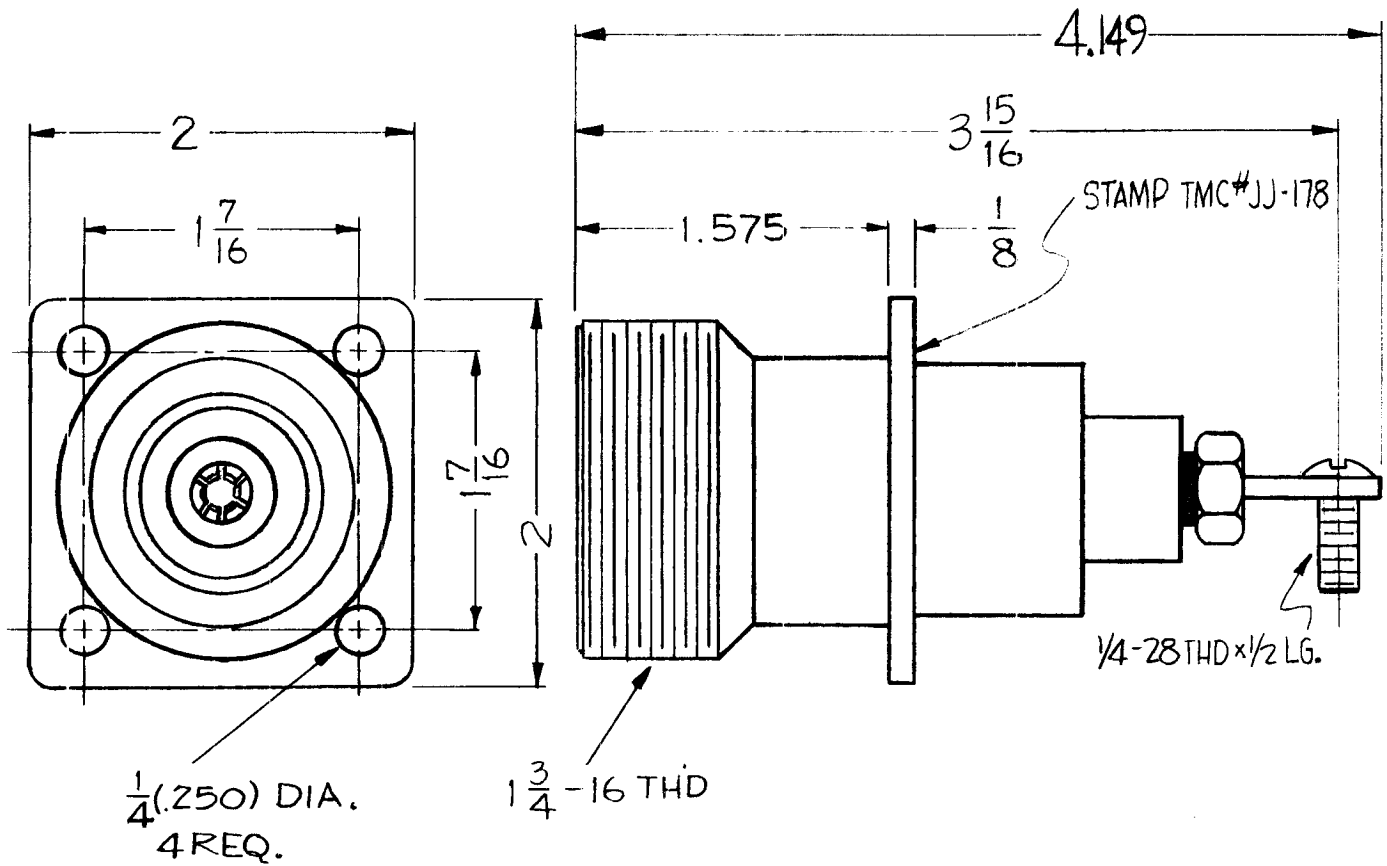


REQ. PER UNIT	USED ON		
	MODEL	ASS'Y. NO.	DATE
			9-17-59

JJ-178 A



SPECIFICATIONS
 SERIES ~ LC
 NO. OF CONTACTS ~ ONE (1)
 TYPE OF CONTACT ~ FEMALE
 DIELECTRIC ~ TEFLON
ELECTRICAL DATA
 MAX. PEAK OPER. VOLT. ~ 10KV
 NOM. IMPEDANCE ~ 50 Ω
CABLE ACCOMODATIONS
 TYPE ~ TERMINAL END
 MATES^W/UG-156 A/U
MATERIAL
 EXTERNAL PARTS ~ BRASS
 CONTACTS ~ BERYLLIUM COPPER
FINISH
 EXTERNAL PARTS ~ SILVER
 PLATE & RHODIUM FLASH.
 CONTACTS ~ SILVER PLATE
 & GOLD FLASH.

ISSUE	ITEM	CHANGED FROM	DATE	CH. NO.	DRAFTS	CHECKER	ENG. APP.	REQ.	ITEM	PART NO.	DESCRIPTION	SYMBOL	
											THE TECHNICAL MATERIEL CORP. MAMARONECK, NEW YORK CONNECTOR, RECEPTACLE (FEED THRU)	JJ-178 A	
A	1	SPECIFICATIONS ADDED	5/8/61										
TOLERANCES			SCALE: S-401-70 (9015)					TYPE & TEMPER		HEAT TREAT. SPEC.			
DEC. DIM. ± FRAC. DIM. ± ANGULAR DIM. ±			MAXIMUM ALLOWABLE TOLERANCES HAVE BEEN DETERMINED AND ANY DEVIATIONS WILL BE CAUSE FOR REJECTION. REMOVE ALL BURRS AND SHARP EDGES					DRAWN		CHECKED		FINAL APPROVAL	
								FINISH & SPEC. NO.		ELEC. DES. APP		MECH. DES. APP	